



**PROFESSIONAL**  
OUTDOOR LIGHTING

Type:

Model:

Project:

# SPECIFICATION SHEET

## MODEL STM-D Double Stanchion Mount • Architectural Series • Accessories

**DESCRIPTION:**

The STM-D Double Stanchion Mount features heavy duty die-cast and extruded aluminum construction for added durability. Specially designed for at-grade or wall-mounted applications where ballasting is needed to power fixtures when the installation of recessed ballasting is not practical. The STM-D Double Stanchion Mount is 12", 18", or 24" long; custom lengths are available. The mounting stanchion houses the electronic ballasting for HID fixtures.

**MATERIALS:**

Heavy duty die-cast and extruded aluminum.

**FINISH:**

16 powder-coated color options ,including Black, Architectural Bronze, Light Bronze, Dark Bronze, Special Bronze, Verde, Pewter, Architectural Brick, Granite, Terracotta, Rust, Hunter Green, Mocha, Weathered Bronze, Weathered Iron & White

**BALLAST OPTIONS:**

MH70, MH39, or MH20. Electronic 120-277 MVolt input.

**MOUNTING:**

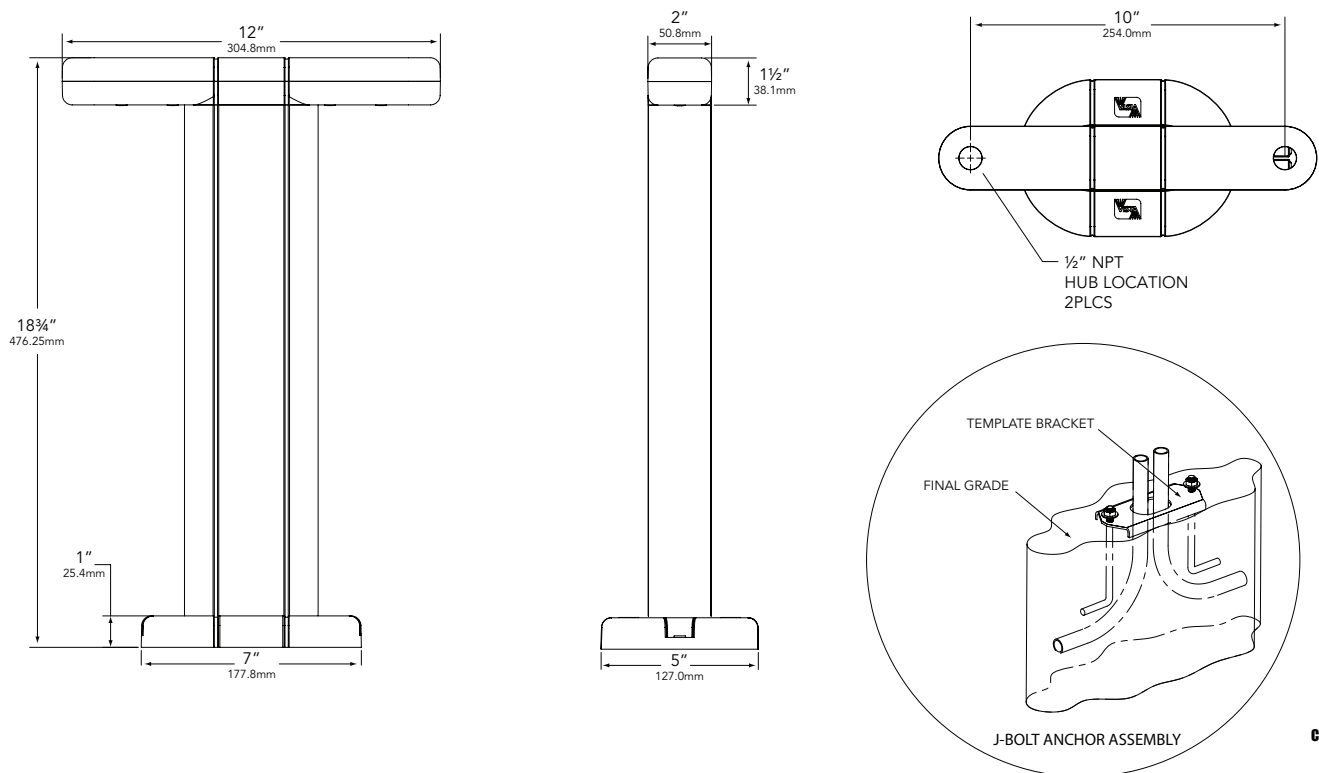
Mounted over J-Bolt Anchor Assembly (recessed in concrete).

**CERTIFICATION:**

UL Listed to U.S. and Canadian safety standards for line voltage landscape luminaires (UL 1598). The maximum wattages allowed by Underwriters Laboratories (UL) for the U.S. and Canadian markets may vary. Maximum wattages specified are Underwriters Laboratories U.S. standard. Please contact Vista for any questions about the maximum wattages allowed by UL Canadian standards.

All Vista luminaires are [MADE IN THE U.S.A.](#)

**DIMENSIONS:**



Vista Professional Outdoor Lighting reserves the right to modify the design and/or construction of the fixture shown without further notification.



# SPECIFICATION SHEET

## MODEL STM-D Double Stanchion Mount • Architectural Series • Accessories

### ACCESSORY ORDERING INFORMATION

TO ORDER ACCESSORY: Select appropriate choice from each column as in the following example.

**EXAMPLE: STM-B-18-D-MH70-MV**

MODEL	FINISH	LENGTH	CONFIGURATION	WATTAGE	VOLTAGE
STM	B - Black G - Verde BR - Architectural Brick Z - Architectural Bronze LZ - Light Bronze DZ - Dark Bronze SB - Special Bronze GT - Granite P - Pewter TC - Terra-cotta R - Rust HG - Hunter Green M - Mocha WB - Weathered Bronze WI - Weathered Iron W - White	12 - 12" 18 - 18" 24 - 24" CST - Custom	D - Double	MH70 MH39 MH20	MV - Multi Volt