



PROFESSIONAL
OUTDOOR LIGHTING

SPECIFICATION SHEET

MODEL RK91 Architectural Series • LED Retrofit Kit

FIXTURE SPECIFICATIONS:

GENERAL:

The RK91 LED Retrofit Kit, for use in Hydrel's® 9100 series. Retrofit Kit includes factory sealed LED module with integrated driver, fully potted and thermally protected.

DOOR:

Die-cast, low copper content, A360 aluminum. Post anodized Type III (hard anodized) and powder coated for maximum corrosion protection. A captive stainless steel fastener and door catch affixed to a ventilated door. Inner vents allow hot air to escape from around optic housing while outer vents allow cool air to enter fixture housing.

OPTIC HOUSING:

Die-cast A360 aluminum. Finned for maximum heat dissipation. Type III hard anodized and Thermkote treated for maximum corrosion protection. Optic and driver compartment separately sealed while being electrically connected.

DRIVER COMPARTMENT:

Injection molded PPS for maximum corrosion protection. Driver compartment houses electronic LED driver and thermostat which cuts power to fixture in abnormal ambient temperature conditions. Driver compartment is completely epoxy potted to protect electronics from moisture.

DOOR FINISH:

Durable powder coat finish available in Black, Architectural Bronze, Dark Bronze, Granite, White, Architectural Brick, Light Bronze, Special Bronze, Glossy Gray, Rust, Hunter Green, Weathered Bronze, Weathered Iron, Graphite Metallic, Verde, Pewter, Mocha and Olde Finish. Custom Powder coat finishes available on request.

LED:

Cree® CXA 3050COB driven at 700mA, 800mA, or 900mA.

COLOR TEMPERATURE:

LED's are offered in 2700°K, 3000°K, 3500°K, 4000°K, or 5000°K CCT ANSI white 4 step Cree® East White™ bins

LIGHT DISTRIBUTION:

Very Narrow Spot **VNS** (NEMA 2x2), Narrow Spot **NS** (NEMA 2x2), Medium Flood **MF** (NEMA 4x4), and Wide Flood **WF** (NEMA 6x6).

REFLECTOR:

Specular or semi-specular optics designed for maximum performance and uniformity. Very Narrow Spot **VNS** optic incorporates an internal source shield to eliminate unwanted glare outside the beam pattern.

LENS/SEAL:

1/2" thick tempered pressed clear glass sealed with a solid molded silicone gasket.

Type:

Model:

Project:

3' 18/3 outdoor-rated hard usage cable standard for non-dimming **ND** and Phase Cut TRIAC (120V only) dimming **PCT** fixtures. 3' 18/5 outdoor-rated hard usage cable standard for 0-10V dimming **010** fixtures. Retrofit Kit includes new liquid tight cord seal and 5 silicone filled wire nuts.

DRIVER:

Integral CUL listed LED driver, either non-dimmable **ND** or dimmable. Dimming: 0-10VDC **010** and Phase Cut TRIAC (120V only) **PCT** options available. Multi-Volt **MV** 120V-277V driver input standard.

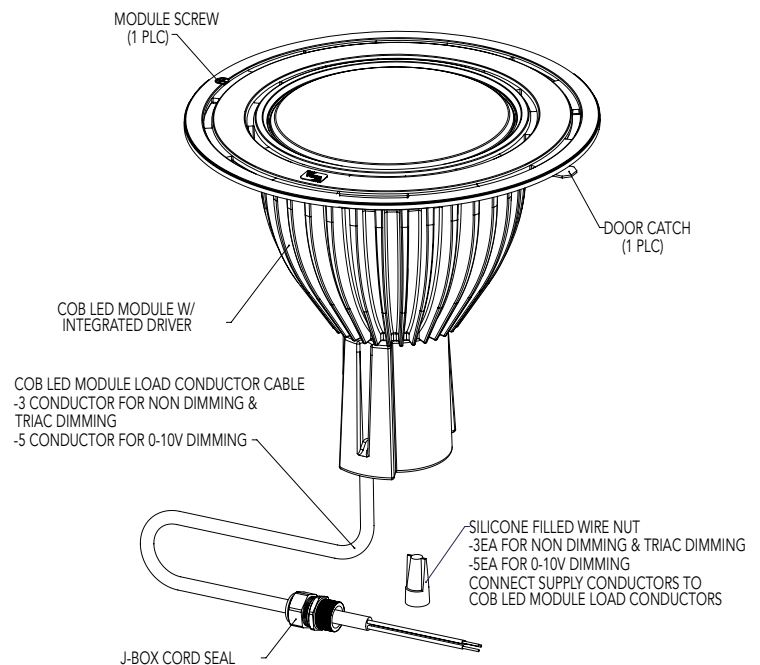
ACCESSORIES:

TO5 - Tilt Optic 5°, **TO10** - Tilt Optic 10°, **TO15** - Tilt Optic 15°, **TO25** - Tilt Optic 25°, **DF** - Diffuse Filter, **LSF** - Linear Spread Filter, **STR** Stainless Trim Ring. Dichroic Lenses: **YL** - Yellow, **RL** - Red, **BL** - Blue, **GL** - Green.

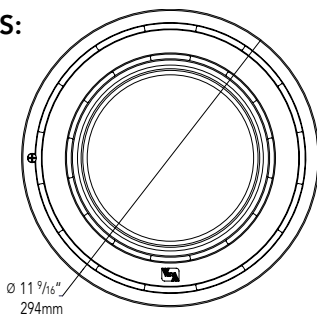
CERTIFICATION:

C ETL US listed. *IP68*

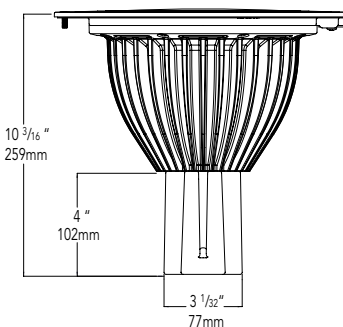
All Vista Architectural luminaires are **MADE IN THE U.S.A.**



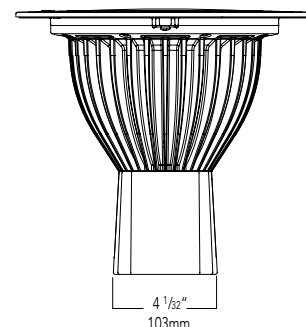
DIMENSIONS:



TOP VIEW



FRONT VIEW



SIDE VIEW

WIRING:

Ø 11 9/16" 294mm



Vista Professional Outdoor Lighting reserves the right to modify the design and/or construction of the fixture shown without further notification.



SPECIFICATION SHEET

MODEL RK91 Architectural Series • LED Retrofit Kit

LAMP SPECIFICATIONS

LED:

- High lumen output LED powered for high efficacy
- Cree® CXA 3050COB driven at 700mA, 800mA, or 900mA
- 2700°K, 3000°K, 3500°K, 4000°K, or 5000°K CCT ANSI white 4 step Cree® Easy White™ bins.
- 1500-3000 Delivered Lumens
- 25-35 Watts

CRI

- The CRI range is 83-84.

OPTICS/AIMING:

- Specular or semi-specular optics designed for maximum performance and uniformity.
- Very Narrow Spot **VNS** (NEMA 2x2), Narrow Spot **NS** (NEMA 2x2), Medium Flood **MF** (NEMA 4x4), and Wide Flood **WF** (NEMA 6x6).

- Fixture aiming achieved via a series of tilt optic lenses and patent pending magnetic aiming system.

ELECTRICAL:

- Constant current 700mA, 800mA, or 900mA output driver.
- Multi-Volt **MV** 120V-277V universal input.
- 3' 18/3 outdoor-rated hard usage cable standard for non-dimming fixtures and Phase Cut TRIAC PCT dimming fixtures.
- 3' 18/5 outdoor-rated hard usage cable standard for 0-10V dimming fixtures.

FIXTURE ORDERING INFORMATION

TO ORDER FIXTURE: Select appropriate choice from each column as in the following example.

EXAMPLE: RK91-GG-NS-30-A-MV-CX-ND-T05

MODEL	DOOR FINISH	DISTRIBUTION	COLOR TEMPERATURE	DELIVERED LUMENS
RK91	Standard	VNS - Very Narrow Spot NS - Narrow Spot MF - Medium Flood WF - Wide Flood	27 - 2700°K 30 - 3000°K 35 - 3500°K 40 - 4000°K 50 - 5000°K	A - 1500-2000 B - 2000-2500 C - 2500-3000 RK91-VNS not available with B & C lumen packages.
	B - Black			
	Z - Architectural Bronze			
	DZ - Dark Bronze			
	W - White			
Premium	BR - Architectural Brick LZ - Light Bronze SB - Special Bronze GG - Glossy Gray R - Rust HG - Hunter Green WB - Weathered Bronze WI - Weathered Iron GM - Graphite Metallic			
GT - Granite				
Hand Finished				
G - Verde				
P - Pewter				
M - Mocha				
OF - Olde Finish				

VOLTAGE	LENS	DIMMING	ACCESSORIES
MV - Multi-Volt (120V-277V)	CX - Crowned Clear AX - Anti Slip Clear	ND - No Dimming 010 - 0-10V PCT - Phase Cut TRIAC (120V only)	T05 - Tilt Optic 5° T010 - Tilt Optic 10° T015 - Tilt Optic 15° T025 - Tilt Optic 25° DF - Diffuse Filter LSF - Linear Spread Filter STR - Stainless Trim Ring HS - Half Glare Shield YL - Yellow Lens RL - Red Lens BL - Blue Lens GL - Green Lens

Hydrel® is a registered Trade Mark of Acuity Brands.

Vista Professional Outdoor Lighting reserves the right to modify the design and/or construction of the fixture shown without further notification.