



PROFESSIONAL
OUTDOOR LIGHTING

Type:

Model:

Project:

SPECIFICATION SHEET

MODEL DTC-170 Landscape Series • Accessories

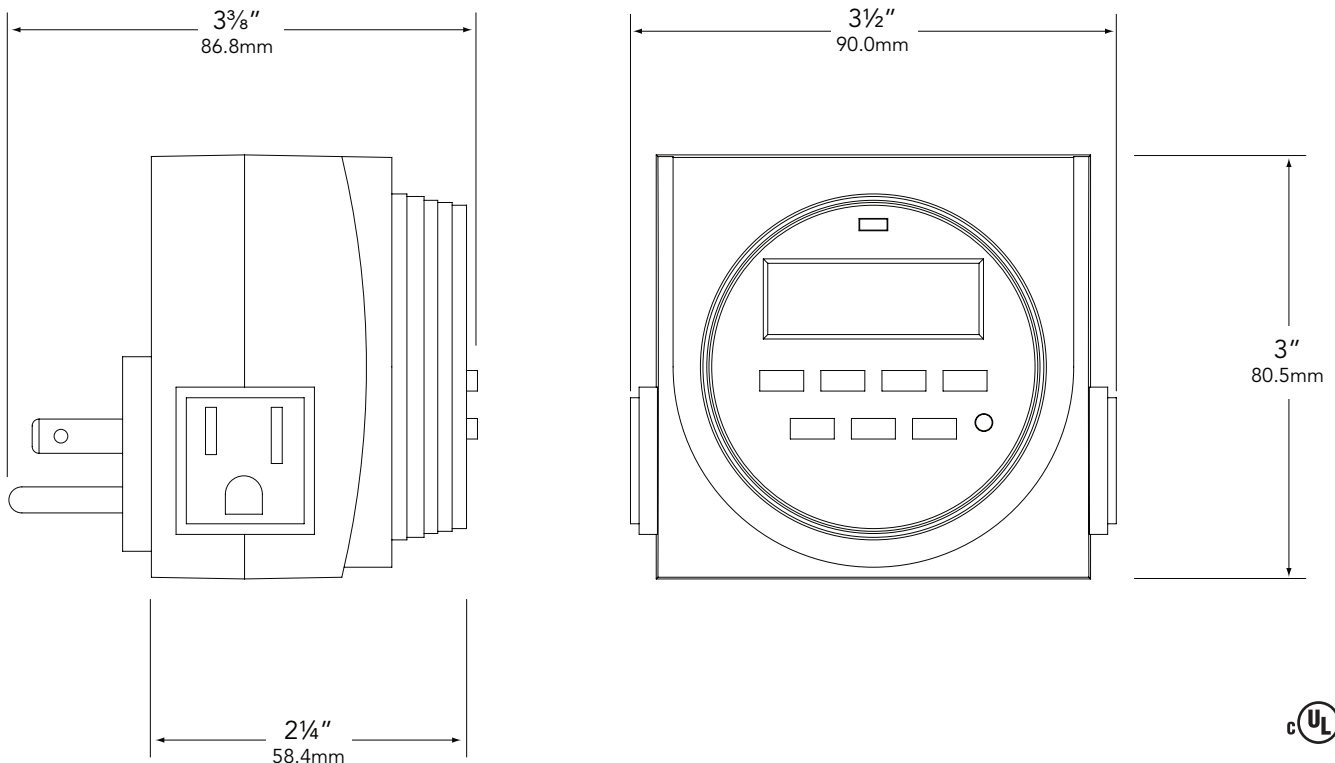
SPECIFICATIONS:

DESCRIPTION:

Digital 7-day electronic timer.

Programming capabilities: 8 on/off switches with battery backup.

DIMENSIONS:



Vista Professional Outdoor Lighting reserves the right to modify the design and/or construction of the fixture shown without further notification.



SPECIFICATION SHEET

MODEL DTC-170 Landscape Series • Accessories

OPERATING INSTRUCTIONS:

DTC-170

7 Day Programmable Timer Instruction Manual

Control your lighting systems safely & reliably with Vista's DTC-170

The DTC-170 incorporates a LCD (liquid crystal display) which accurately displays the time of day in 24-hour format. There are 8 possible "on/off" combinations that can be programmed. For security purposes, the timer has an additional feature that allows for a random variation of 2 to 32 minutes for each "on" and "off" time from the actual time programmed. Adjusting for Daylight Savings Time can be done quickly and easily. The programming of the timer is maintained during power failures by an internal battery. When the DTC-170 is first installed, it is recommended that the battery be given an opportunity to charge for a few hours before attempting to program the timer.

Time Setting:

The correct time of day and day of week must be set prior to using the timer for the first time (in 24-hour format).

- Press "CLOCK" and "HOUR" to set the hour of the day.
- Press "CLOCK" and "MIN" to set minutes.
- Press "CLOCK" and "WEEK" to set the day of the week.

Program Setting:

There are 8 possible program combinations available.

- Press "PROG" to enter program mode. The display will show a "1" and "ON" in the left side of display.
- Press "HOUR", "MIN", and "WEEK" to program the correct day and time the timer should turn on.
- Press "PROG" to set the timer for "OFF" time and day for "1".
- Press "HOUR", "MIN", and "WEEK" to program the correct day and time the timer should turn off.
- If needed, press "PROG" to advance to the second (2) on/off setting.
- If needed, pressing "R" will cancel the current setting, pressing "R" a second time will undo the change.

Combination Weekly Setting:

While in the "Program Setting" mode above, various combinations of week days may be programmed into the timer.

- Press "WEEK" the display will show: "Mo, Tu, We, Th, Fr, Sa, Su". This setting will activate the timer for all 7 days.
- Press "WEEK" again and the individual day of the week will be shown.
- When "Su" is shown, pressing "WEEK" again will show: "Mo, Tu, We, Th, Fr" only. This allows programming for the work week as shown.
- Press "WEEK" again and the display will show: "Sa, Su". This will allow programming for the weekend. Continuing to press "WEEK" will provide the following additional combinations.
- Press "WEEK" again and every day but "Su" is displayed.
- Press "WEEK" again and "Mo, We, Fr" are displayed.
- Press "WEEK" again and "Tu, Th, Sa" are displayed.
- Press "WEEK" again and "Mo, Tu, We" are displayed.
- Press "WEEK" again and "Th, Fr, Sa" are displayed.
- Press "R" to cancel current setting, press "R" again to undo cancel.

Special Functions:

- Press "WEEK" and "HOUR" simultaneously. The display will show "O" at the right hand side and indicates that the timer is in "RANDOM" on/off mode and varies the on/off timing from the actual settings from 2 to 32 minutes.
- Press "HOUR" and "MIN" simultaneously. The display will show a clock symbol ".." at the right hand side and the correct time of day will move forward 1 hour to adjust for Daylight Savings Time. Press "HOUR" and "MIN" again to revert correct time of day back to standard time.
- "ON/AUTO/OFF" override. Press "ON/AUTO/OFF" or the button with the "HAND" symbol to force the timer into permanent "ON" "AUTO" program or permanent "OFF" mode.
- The accuracy of the timer is 2 minutes per month.

Starting Timer After Programming:

- When within the programmed window (preset time period), cycle through "ON/AUTO/OFF" button to "ON" mode (indicated by lighted red LED above display), and then "AUTO".
- When outside of the programmed window (preset time period), cycle through "ON/AUTO/OFF" button to "OFF" mode, and then "AUTO".