



PROFESSIONAL
OUTDOOR LIGHTING

Type: _____

Model: _____

Project: _____

SPECIFICATION SHEET

MODEL: CTM-200 - Tenon Mount Accessory

SPECIFICATIONS:

DESCRIPTION:

Vista's CTM-200 Tenon Mount Slip fitter Accessory is a cast aluminum 4-3/4" inch mounting accessory designed for a single light fixture mounted onto a 2-3/8" dia x 4" inch tenon. The slipfitter is secured to the tenon with two 5/16"-18 stainless steel set screws. The CTM-200 is ideal for many architectural and landscape lighting applications.

CONSTRUCTION:

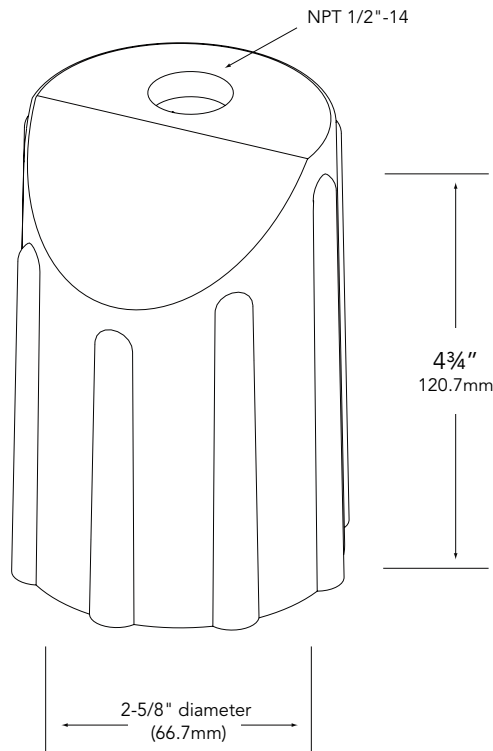
Die-cast, copper-free, heavy wall aluminum.

FINISH:

Polyester powder-coat finish available in Black, Dark Bronze, Granite, White, Architectural Brick, Light Bronze, Special Bronze, Glossy Gray, Rust, Hunter Green, Weathered Bronze, Weathered Iron, Graphite Metallic, Verde, Pewter, Mocha and Olde Finish.

All Vista accessories are **MADE IN THE U.S.A.**

DIMENSIONS:



Vista Professional Outdoor Lighting reserves the right to modify the design and/or construction of the fixture shown without further notification.

1625 Surveyor Avenue • Simi Valley, CA 93063 • (805) 527-0987 • (800) 766-VISTA (8478)
FAX: (888) 670-VISTA (8478) • email@vistapro.com • www.vistapro.com



SPECIFICATION SHEET

MODEL: CTM-200 - *Tenon Mount Accessory*

ORDERING INFORMATION

TO ORDER: Select appropriate choice from each column as in the following example

EXAMPLE: CTM-200-B

MODEL	FINISH
CTM-200	Standard
	B - Black DZ - Dark Bronze GT - Granite W - White
	Premium
	BR - Architectural Brick LZ - Light Bronze SB - Special Bronze GG - Glossy Gray R - Rust HG - Hunter Green WB - Weathered Bronze WI - Weathered Iron GM - Graphite Metallic
	Hand Finished
	G - Verde P - Pewter M - Mocha OF - Olde Finish

Vista Professional Outdoor Lighting reserves the right to modify the design and/or construction of the fixture shown without further notification.