



PROFESSIONAL
OUTDOOR LIGHTING

Type:

Model:

Project:

SPECIFICATION SHEET

MODEL CGB1 HID Ballast Encloser • Architectural Series • Accessories

DESCRIPTION:

In-Ground HID Ballast Box with blank composite cover for remote mount application

CONSTRUCTION:

Injection molded, fiber reinforced polymer with heavy wall construction

BALLAST TYPES:

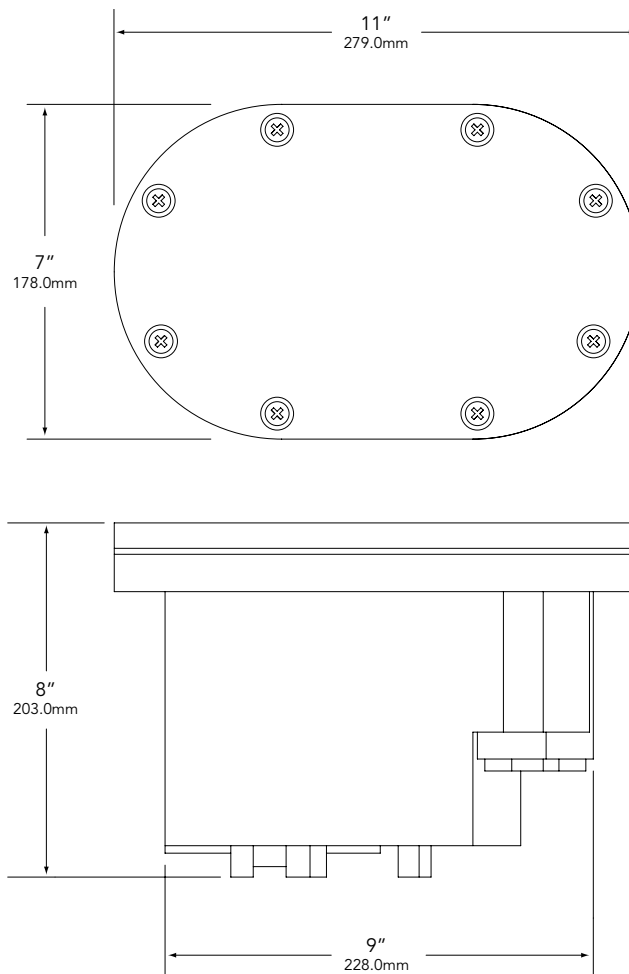
Metal Halide and High Pressure Sodium

CONDUIT ENTRIES:

Splice compartment has two 3/4" NPT conduit entries and one 1/2" NPT entry for remote access

All Vista accessories are [MADE IN THE U.S.A.](#)

DIMENSIONS:



Vista Professional Outdoor Lighting reserves the right to modify the design and/or construction of the fixture shown without further notification.



SPECIFICATION SHEET

MODEL CGB1 HID Ballast Encloser • Architectural Series • Accessories

ACCESSORY ORDERING INFORMATION

TO ORDER ACCESSORY: Select appropriate choice from each column as in the following example.

EXAMPLE: CGB1-B-70-MH-120

MODEL	FINISH	WATTAGE	BALLAST	VOLTAGE
CGB1	Standard	35, 70, 100, 150	MH - Metal Halide	120
	B - Black	35, 50, 70, 100, 150	HPS - High Pressure Sodium	208
	DZ - Dark Bronze			240
	GT - Granite			277
	W - White			
	Premium			
	BR - Architectural Brick			
	LZ - Light Bronze			
	SB - Special Bronze			
	GG - Glossy Gray			
R - Rust				
HG - Hunter Green				
WB - Weathered Bronze				
WI - Weathered Iron				
GM - Graphite Metallic				
Hand Finished				
G - Verde				
P - Pewter				
M - Mocha				
OF - Olde Finish				

Maximum Distance Lamp to Ballast

Remote Ballast has limited starting distances. For lamp to operate efficiently, the distance from the lamp to ballast must not exceed the following:

LAMP TYPE	MAX DISTANCE
35MH	50'
70MH	50'
100MH	50'
150MH	50'
175MH	175'
35HPS	35'
50HPS	35'
70HPS	35'
100HPS	35'
150HPS	35'

Vista Professional Outdoor Lighting reserves the right to modify the design and/or construction of the fixture shown without further notification.