



**PROFESSIONAL  
OUTDOOR LIGHTING**

Type:

Model:

Project:

# SPECIFICATION SHEET

## MODEL 1471 Architectural Series • Bollards

### FIXTURE SPECIFICATIONS:

**HOUSING:**

Heavy walled (3/16") custom round extruded aluminum post, assembled with heavy die-cast aluminum access doors and base. Light Center Length (LCL) height is 36" standard.

**BASE:**

Heavy walled die cast aluminum base structurally screwed and glued to housing post. Base has 30° radial slots to allow for adjustment of bollard relative to mounting.

**MOUNTING:**

Mounting consists of a patent pending three 1/2" dia. x 12" J-anchor bolt pour part assembly. Mounting assembly is equipped with an adjustable leveling feature utilizing heavy duty die springs, sleeved with urethane compression bushings. Adjustment over 5 degrees are possible for vertical alignment of post.

**LED LIGHT ENGINE:**

High efficiency LED quadrant specified light engine equipped with Cree XTE LED's, (5 per quadrant). Available in 2700°K, 3000°K, 3500°K, 4000°K, 5000°K CCT. Amber CCT available upon request. Suitable for max ambient temperatures up to 45°C.

**CRI:**

The CRI range is 81 - 84.

**OPTICS:**

Unitized optic assembly contains precision molded reflector and sealed refractor lens integrally mounted onto an internal heat sink. Drivers and optional accessories are mounted to optic assembly.

**FINISH:**

Durable powder-coat finish available in Black, Architectural Bronze, Dark Bronze, Granite, White, Architectural Brick, Light Bronze, Special Bronze, Glossy Gray, Rust, Hunter Green, Weathered Bronze, Weathered Iron, Graphite Metallic, Verde, Pewter, Mocha and Olde Finish. Custom Powder coat finishes available on request.

**DISTRIBUTIONS:**

Light distributions consists of specifiable quadrants. Distributions can be specified in any 90° quadrant combinations.

**BUG RATING:**

\*See table on page 2.

**ELECTRICAL:**

Hi-power factor Integral LED drivers equipped with tri-modal dimming capabilities (0-10VDC, phase cut TRIAC, ELV) from 1-100% standard. Class 2. Universal input voltage 120V-277VAC.

**POWER LEVEL/OUTPUT:**

Two power levels offered:

350mA per LED (1634 lumens output with 360° distribution)

500mA per LED (2163 lumens output with 360° distribution)

**ACCESSORIES:**

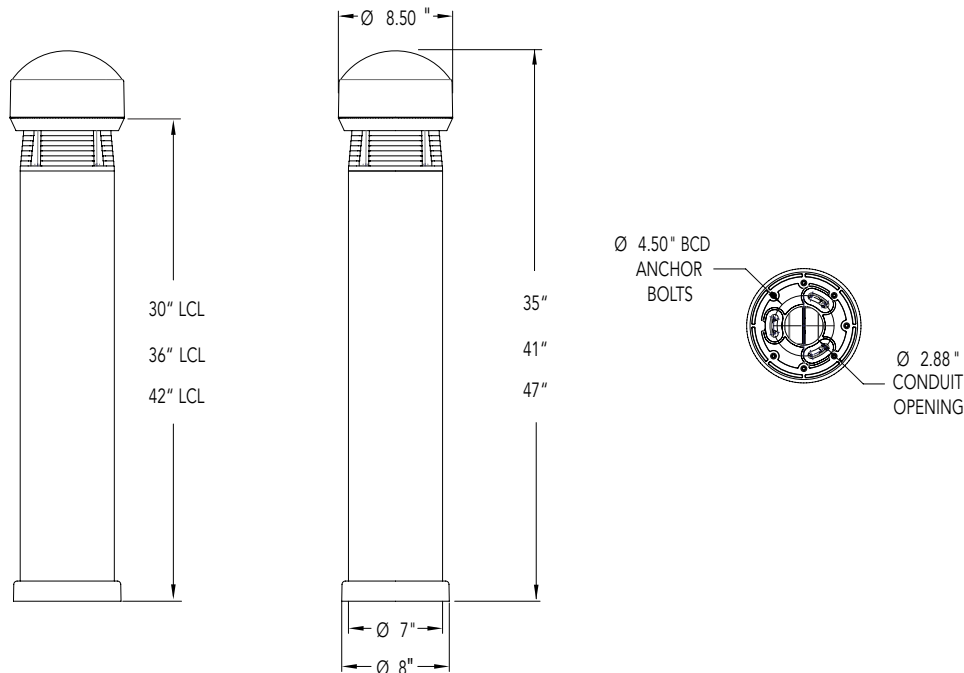
Duplex Receptacle (-DPX)

**CERTIFICATION:**

UL & CUL wet location listed. IP66

All Vista Architectural luminaires are [MADE IN THE U.S.A.](#)

### DIMENSIONS:



Vista Professional Outdoor Lighting reserves the right to modify the design and/or construction of the fixture shown without further notification.



# SPECIFICATION SHEET

## MODEL 1471 Architectural Series • Bollards

### FIXTURE ORDERING INFORMATION

TO ORDER FIXTURE: Select appropriate choice from each column as in the following example.

**EXAMPLE: 1471-B-30-1Q-40-A-120-ND-DPX**

MODEL	FINISH	LIGHT CENTER LENGTH (inches)	DISTRIBUTION (by quadrant)	COLOR TEMP
1471 - Dome	Standard	30 - 30 inch LCL	1Q - 1 Quadrant 2Q90 - 2 Quadrants at 90° 2Q180 - 2 Quadrants at 180° 3Q - 3 Quadrants 4Q - 4 Quadrants	27 - 2700°K 30 - 3000°K 35 - 3500°K 40 - 4000°K 50 - 5000°K
	B - Black Z - Architectural Bronze DZ - Dark Bronze GT - Granite W - White	36 - 36 inch LCL 42 - 42 inch LCL		
	Premium			
	BR - Architectural Brick LZ - Light Bronze SB - Special Bronze GG - Glossy Gray R - Rust HG - Hunter Green WB - Weathered Bronze WI - Weathered Iron GM - Graphite Metallic			
	Hand Finished			
	G - Verde P - Pewter M - Mocha OF - Olde Finish			

POWER LEVEL	VOLTAGE	DIMMING	ACCESSORIES
A - Low Output B - High Output	120 <sup>1</sup> - 120V MV - Multi-Volt (120V - 277V)	ND - No Dimming 010 - 0-10V PCT - Phase Cut TRIAC (120V only)	DPX - Duplex Receptacle <sup>1, 2</sup>

- PCT and DPX available only when 120 VOLTAGE is specified.
- DPX required dedicated 120 Volt service.

### LUMEN OUTPUT PACKAGES

Beam Spread	Watts		Lumens	
	A	B	A	B
4Q	23.9 Watts	34.9 Watts		
	1634 Lumens	2163 Lumens		
3Q	18.1 Watts	26.3 Watts		
	1197 Lumens	1540 Lumens		
2Q 90	11.8 Watts	17.8 Watts		
	744 Lumens	1050 Lumens		
2Q 180	11.9 Watts	17.8 Watts		
	712 Lumens	984 Lumens		
1Q	6.5 Watts	9.2 Watts		
	383 Lumens	505 Lumens		

### B-U-G RATING

Beam Spread	A	B
4Q	B1-U3-G1	B1-U3-G1
3Q	B1-U2-G1	B1-U3-G1
2Q 90	B0-U2-G1	B0-U2-G1
2Q 180	B1-U2-G1	B1-U2-G1
1Q	B0-U1-G1	B0-U2-G1

Vista Professional Outdoor Lighting reserves the right to modify the design and/or construction of the fixture shown without further notification.