



PROFESSIONAL
OUTDOOR LIGHTING

Type:

Model:

Project:

SPECIFICATION SHEET

MODEL 1188TG Architectural Series • LED Tree Grate

FIXTURE SPECIFICATIONS:

GENERAL:

The 1188TG LED Tree Grate fixtures are designed for use in cast tree grates. The 1188TG includes factory sealed LED module with integrated driver, fully potted and thermally protected. (Ingrade junction box sold separately).

DOOR:

Die-cast, low copper content, A360 aluminum. Post anodized Type III (hard anodized) and powder coated for maximum corrosion protection. Captive stainless steel fasteners affixed to a ventilated door. Inner vents allow hot air to escape from around optic housing while outer vents allow cool air to enter housing tube. Corrosion barrier liner included on underside of door to minimize galvanic corrosion between grate and fixture.

OPTIC HOUSING:

Die-cast A360 aluminum. Finned for maximum heat disipation. Type III hard anodized and Thermkote treated for maximum corrosion protection. Optic and driver compartment separately sealed while being electrically connected.

DRIVER COMPARTMENT:

Injection molded PPS for maximum corrosion protection. Driver compartment houses electronic LED driver and thermostat which cuts power to fixture in abnormal ambient temperature conditions. Driver compartment is completely epoxy potted to protect electronics from moisture.

DOOR FINISH:

Durable powder coat finish available in Black, Architectural Bronze, Dark Bronze, Granite, White, Architectural Brick, Light Bronze, Special Bronze, Glossy Gray, Rust, Hunter Green, Weathered Bronze, Weathered Iron, Graphite Metallic, Verde, Pewter, Mocha and Olde Finish. Custom Powder coat finishes available on request.

LED:

Cree® CXA 3050COB driven at 700mA, 800mA, or 900mA.

COLOR TEMPERATURE:

LED's are offered in 2700°K, 3000°K, 3500°K, 4000°K, or 5000°K CCT ANSI white 4 step Cree® East White™ bins

LIGHT DISTRIBUTION:

Very Narrow Spot **VNS** (NEMA 2x2), Narrow Spot **NS** (NEMA 2x2), Medium Flood **MF** (NEMA 4x4), and Wide Flood **WF** (NEMA 6x6).

REFLECTOR:

Specular or semi-specular optics designed for maximum performance and uniformity. Very Narrow Spot **VNS** optic incorporates an internal source shield to eliminate unwanted glare outside the beam pattern.

LENS/SEAL:

1/2" thick tempered pressed clear glass sealed with a solid molded silicone gasket.

WIRING:

9' 18/3 outdoor-rated hard usage cable standard for non-dimming **ND** and Phase Cut TRIAC (120V only) dimming **PCT** fixtures. 9' 18/5 outdoor-rated hard usage cable standard for 0-10V dimming **010** fixtures. 188TG includes a liquid tight cord seal and 5 silicone filled wire nuts.

JUNCTION BOX (Sold Separately):

JB-200 - In-ground Junction Box (two 1/2"NPT bottom hubs + one 1/2" NPT on cover), **JB-300** - In-ground Junction Box (two 3/4"NPT bottom hubs + one 1/2"NPT hub on cover).

DRIVER:

Integral CUL listed LED driver, either non-dimmable **ND** or dimmable. Dimming: 0-10VDC **010** and Phase Cut TRIAC (120V only) **PCT** options available. Multi-Volt **MV** 120V-277V driver input standard.

HOUSING TUBE:

Ø8.4" SDR35 heavy walled PVC drain tube. 8" long.

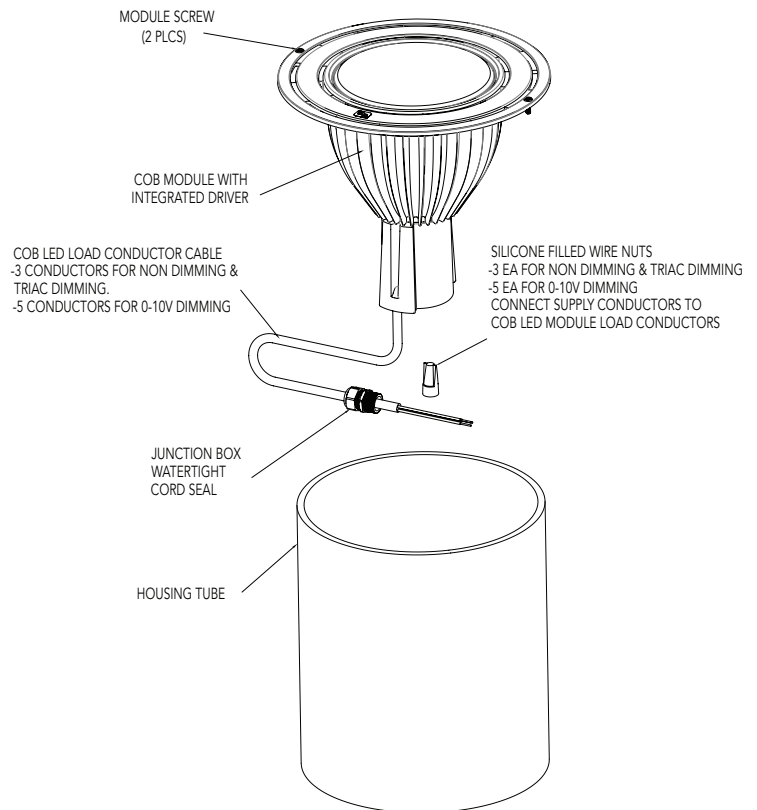
ACCESSORIES:

TO5 - Tilt Optic 5°, **TO10** - Tilt Optic 10°, **TO15** - Tilt Optic 15°, **TO25** - Tilt Optic 25°, **DF** - Diffuse Filter, **LSF** - Linear Spread Filter

CERTIFICATION:

C ETL US listed. *IP68*

All Vista luminaires are **MADE IN THE U.S.A.**



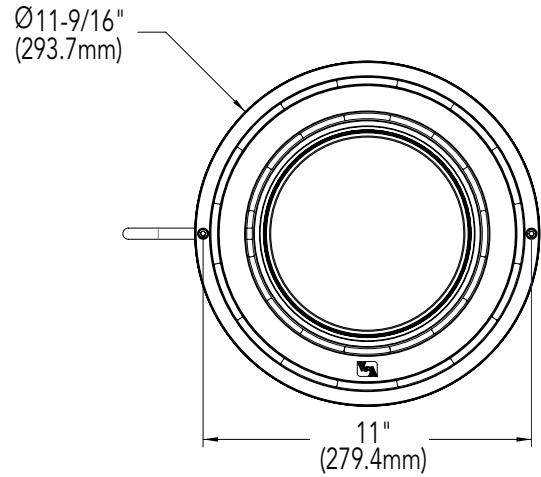
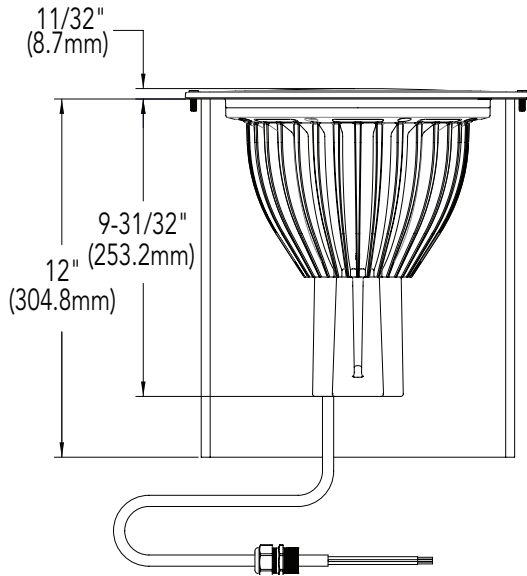
Vista Professional Outdoor Lighting reserves the right to modify the design and/or construction of the fixture shown without further notification.



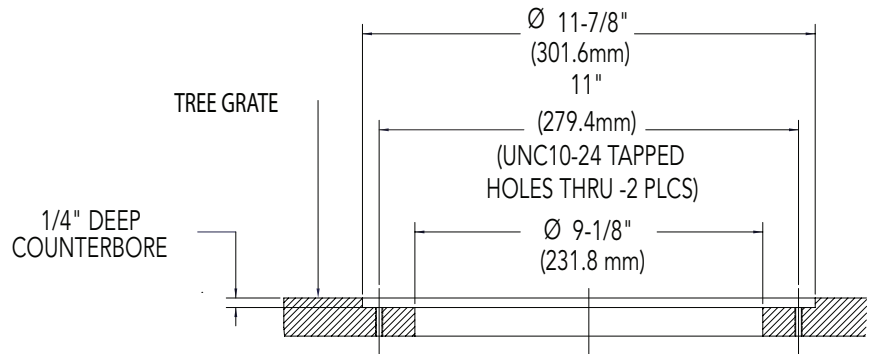
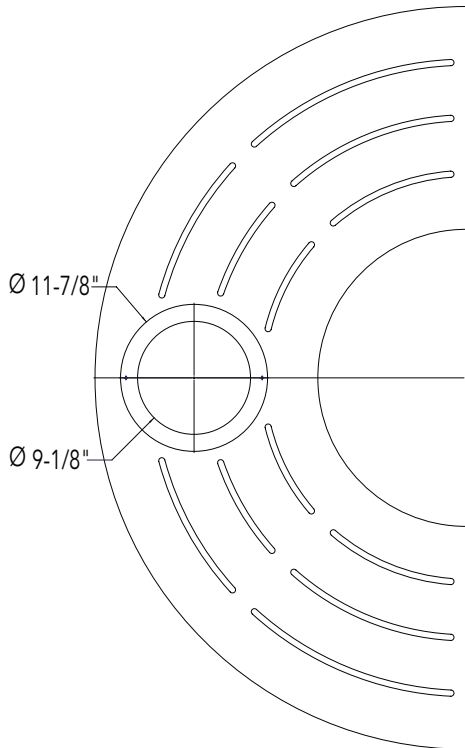
SPECIFICATION SHEET

MODEL 1188TG Architectural Series • LED Tree Grate

DIMENSIONS:



TREE GRATE HOLE DIMENSIONS:



1188TG TREE GRATE
HOLE PREP DIMENSIONS

Vista Professional Outdoor Lighting reserves the right to modify the design and/or construction of the fixture shown without further notification.



SPECIFICATION SHEET

MODEL 1188TG Architectural Series • LED Tree Grate

LAMP SPECIFICATIONS

LED:

- High lumen output LED powered for high efficacy
- Cree® CXA 3050COB driven at 700mA, 800mA, or 900mA
- 2700°K, 3000°K, 3500°K, 4000°K, or 5000°K CCT ANSI white 4 step Cree® Easy White™ bins.
- 1500-3000 Delivered Lumens
- 25-35 Watts

OPTICS/AIMING:

- Specular or semi-specular optics designed for maximum performance and uniformity.
- Very Narrow Spot **VNS** (NEMA 2x2), Narrow Spot **NS** (NEMA 2x2), Medium Flood **MF** (NEMA 4x4), and Wide Flood **WF** (NEMA 6x6).
- Fixture aiming achieved via a series of tilt optic lenses and patent pending magnetic aiming system.

ELECTRICAL:

- Constant current 700mA, 800mA, or 900mA output driver.
- Multi-Volt **MV** 120V-277V universal input.
- 9' 18/3 outdoor-rated hard usage cable standard for non-dimming fixtures and Phase Cut TRIAC PCT dimming fixtures.
- 9' 18/5 outdoor-rated hard usage cable standard for 0-10V dimming fixtures.

FIXTURE ORDERING INFORMATION

TO ORDER FIXTURE: Select appropriate choice from each column as in the following example.

EXAMPLE: 1188TG-GG-MF-30-C-MV-AX-ND-TO5

MODEL	DOOR FINISH	DISTRIBUTION	COLOR TEMPERATURE	DELIVERED LUMENS
1188TG	Standard	VNS - Very Narrow Spot NS - Narrow Spot MF - Medium Flood WF - Wide Flood	27 - 2700°K 30 - 3000°K 35 - 3500°K 40 - 4000°K 50 - 5000°K	A - 1500-2000 B - 2000- 2500 C - 2500-3000 1188TG-VNS not available with B & C lumen packages.
	B - Black			
	Z - Architectural Bronze			
	DZ - Dark Bronze			
	GT - Granite			
	W - White			
Premium				
BR - Architectural Brick				
LZ - Light Bronze				
SB - Special Bronze				
GG - Glossy Gray				
R - Rust				
HG - Hunter Green				
WB - Weathered Bronze				
WI - Weathered Iron				
GM - Graphite Metallic				
Hand Finished				
G - Verde				
P - Pewter				
M - Mocha				
OF - Olde Finish				

VOLTAGE	LENS	DIMMING	ACCESSORIES
MV - Multi-Volt (120V-277V)	CX - Crowned Clear AX - Anti Slip Clear	ND - No Dimming 010 - 0-10V PCT - Phase Cut TRIAC (120V only)	TO5 - Tilt Optic 5° TO10 - Tilt Optic 10° TO15 - Tilt Optic 15° TO25 - Tilt Optic 25° DF - Diffuse Filter LSF - Linear Spread Filter

Vista Professional Outdoor Lighting reserves the right to modify the design and/or construction of the fixture shown without further notification.