



**PROFESSIONAL  
OUTDOOR LIGHTING**

**Type:**

**Model:**

**Project:**

## SPECIFICATION SHEET

### MODEL 1134 Architectural Series • Inground & Well Lights

#### FIXTURE SPECIFICATIONS:

**LAMP TYPE:**

T6 & T4 – Metal Halide. 70W Max. Lamp not included with fixture, order separately. HID lamps require a ballast.

**HOUSING:**

Compression-molded, glass-reinforced polymer for strength and high UV stability – warranted for ten years against corrosion.

**TRIM RING:**

Precision CNC-machined solid stainless steel, fitted to housing with a C-curved cross-section gasket surrounding the edge of the lens to provide a superior dual weather-tight seal.

**FINISH:**

Available in Black, Dark Bronze, Light Bronze, Verde, Pewter, Architectural Brick, Granite, Terracotta, Rust, Hunter Green, Mocha, Weathered Bronze, Weathered Iron, or White. Also, Stainless Steel trim ring. Housing available in black only.

**SOCKET/LAMP HOLDER:**

Top grade ceramic, 4KV pulse rated socket. Available in 70W & 39W -T6 G12 base, 70W & 39W-T4 G8.5 base, and 20W-T4 GU6.5 base.

**LENS:**

Clear, tempered, shock and heat resistant, borosilicate glass lens - crowned (convex) to promote water runoff. Optical effect lenses are available; please see lens & accessories columns on fixture ordering information chart.

**REFLECTOR:**

Fixed spot, flood, wide flood, and wall wash reflector, mechanically formed with a polished semispecular or white finish for even beam control. Optics are rotatable

360°. Spot, flood and wide flood are rotatable ±15° from verticle.

**MOUNTING:**

In-grade. Wire compartment has two ¾" NPT conduit entries for through wiring as well as a silicone rubber gasketed cover for a completely waterproof wiring compartment (Optional pre-tapped side conduit entries are available – consult factory for details). Potting compound for wiring compartment supplied with fixture. Housing design allows for direct concrete mounting with no concrete mounting kit required.

**FASTENERS:**

All fasteners are stainless steel.

**WIRING:**

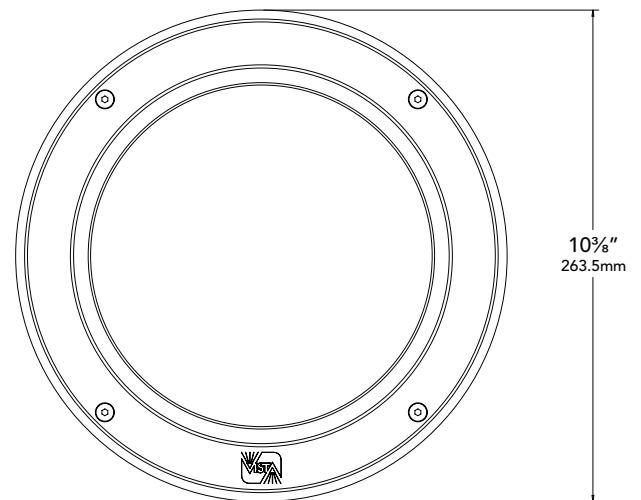
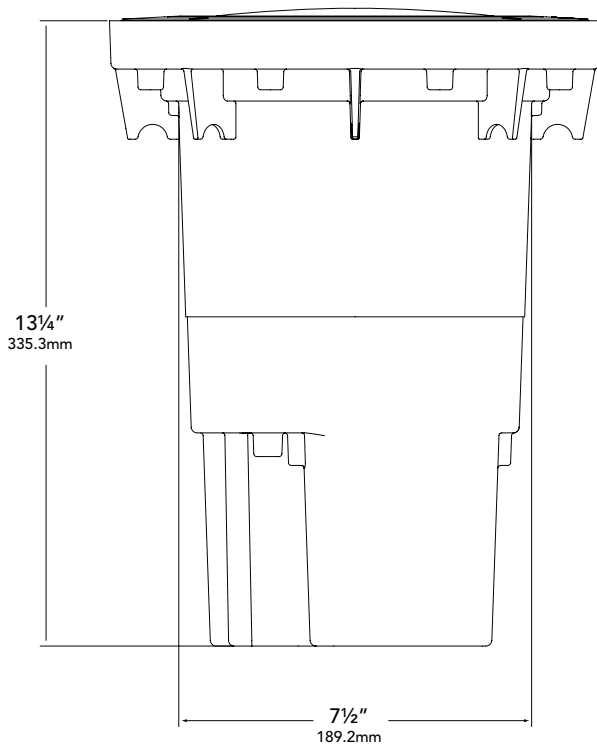
Prewired with 200°C-rated wire along with a grounded lead.

**CERTIFICATION:**

UL Listed to U.S. and Canadian safety standards for line voltage landscape luminaires (UL 1598). The maximum wattages allowed by Underwriters Laboratories (UL) for the U.S. and Canadian markets may vary. Maximum wattages specified are Underwriters Laboratories U.S. standard. Please contact Vista for any questions about the maximum wattages allowed by UL Canadian standards. This luminaire has an ingress protection rating of IP65 for protection against detrimental dust intrusion as well as penetration of water by water jet from all directions.

All Vista luminaires are [MADE IN THE U.S.A.](#)

#### DIMENSIONS:



Vista Professional Outdoor Lighting reserves the right to modify the design and/or construction of the fixture shown without further notification.



## SPECIFICATION SHEET

### MODEL 1134 Architectural Series • Inground & Well Lights

#### FIXTURE ORDERING INFORMATION

TO ORDER FIXTURE: Select appropriate choice from each column as in the following example.

**EXAMPLE: 1134-SS-B-MF-G12-70-120/60-CX-HL**

MODEL	TRIM RING	FINISH	DISTRIBUTION	BASE	WATTS	VOLTAGE	LENS	ACCESSORIES
1134	SS - Stainless Steel	SS - Stainless Steel B - Black Z - Architectural Bronze DZ - Dark Bronze LZ - Light Bronze G - Verde P - Pewter BR - Architectural Brick GT - Granite TC - Terracotta R - Rust HG - Hunter Green M - Mocha WB - Weathered Bronze WI - Weathered Iron W - White	SP - Spot MF - Medium Flood WF - Wide Flood WW - Wall Wash	G12 G8.5 GU6.5	70 39 20	120/60 208/60 240/60 277/60 MVOLT	CX - Crowned Clear CBL - Crowned Cool Blue CFR - Crowned Frosted	HL - Honeycomb Louver ISS - Internal Source Shield (SP Only)

*Vista Professional Outdoor Lighting reserves the right to modify the design and/or construction of the fixture shown without further notification.*