



**PROFESSIONAL
OUTDOOR LIGHTING**

Type:

Model:

Project:

SPECIFICATION SHEET

MODEL 1130 Architectural Series • Inground & Well Lights

FIXTURE SPECIFICATIONS:

LAMP TYPE:

T6 & T4 – Metal Halide. 70W Max. Lamp not included with fixture, order separately. HID lamps require a ballast.

HOUSING:

Compression-molded, glass-reinforced polymer for strength and high UV stability – warranted for ten years against corrosion.

LENS COVER:

Injection-molded, glass-reinforced Ryton™ R4 composite fitted to housing with a C-curved cross-section gasket–surrounding edge of lens to provide a superior dual weather-tight seal.

FINISH:

Durable powder coat finish available in Black, Dark Bronze, Granite, White, Architectural Brick, Light Bronze, Special Bronze, Glossy Gray, Rust, Hunter Green, Weathered Bronze, Weathered Iron, Graphite Metallic, Verde, Pewter, Mocha and Olde Finish. Custom Powder coat finishes available on request.

Housing available in black only.

SOCKET/LAMP HOLDER:

Top grade ceramic, 4KV pulse rated socket. Available in 70W & 39W -T6 G12 base, 70W & 39W-T4 G8.5 base, and 20W-T4 GU6.5 base.

LENS:

Clear, tempered, shock and heat resistant, borosilicate glass lens - crowned (convex) to promote water runoff. Optical effect lenses are available; please see lens & accessories columns on fixture ordering information chart.

REFLECTOR:

Fixed spot, flood,wide flood, and wall wash reflector, mechanically formed with a

polished semispecular or white finish for even beam control. Optics are rotatable 360°. Spot, flood and wide flood are rotatable ±15° from verticle.

MOUNTING:

In-grade. Wire compartment has two ¼" NPT conduit entries for through wiring as well as a silicone rubber gasketed cover for a completely waterproof wiring compartment (Optional pre-tapped side conduit entries are available – consult factory for details). Potting compound for wiring compartment supplied with fixture. Housing design allows for direct concrete mounting with no concrete mounting kit required.

FASTENERS:

All fasteners are stainless steel.

WIRING:

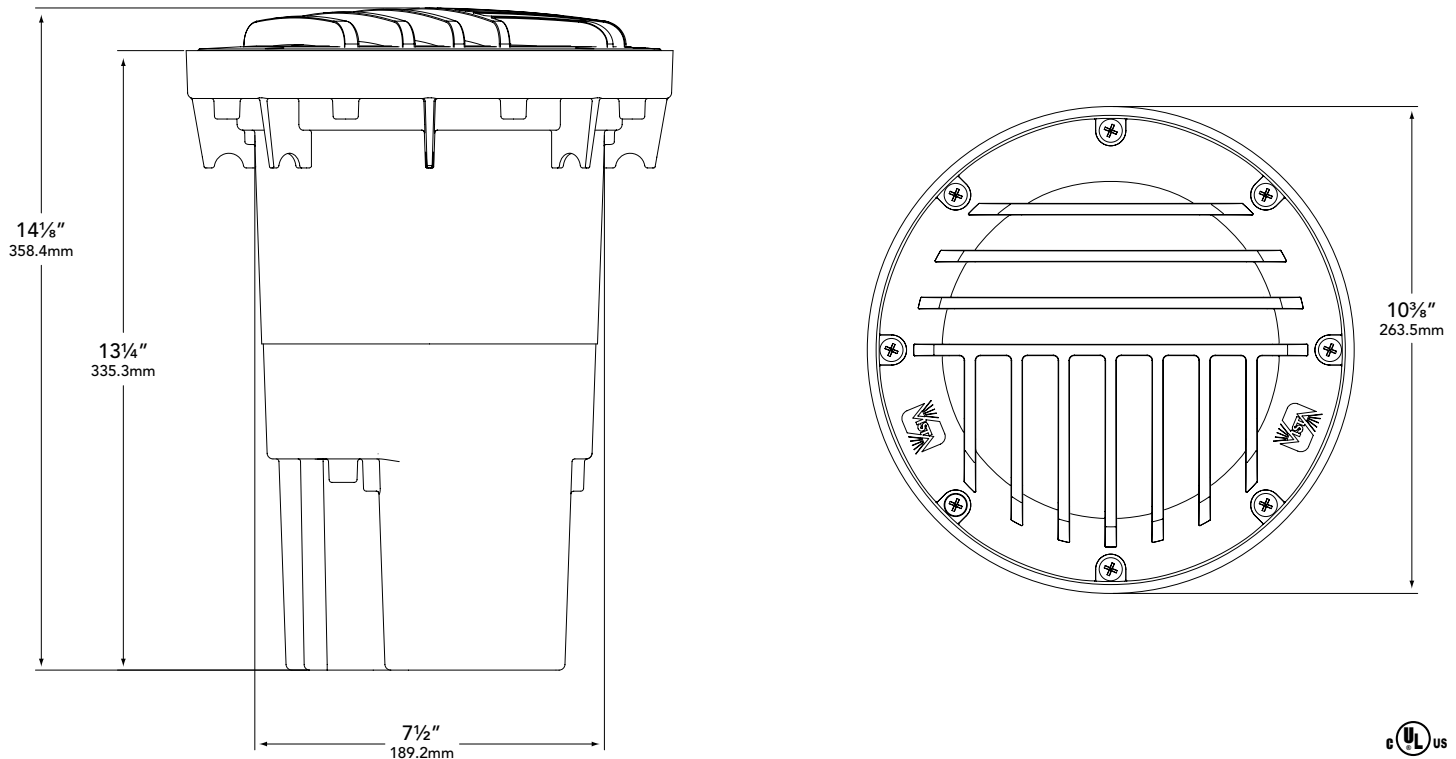
Prewired with 200°C-rated wire along with a grounded lead.

CERTIFICATION:

UL Listed to U.S. and Canadian safety standards for line voltage landscape luminaires (UL 1598). The maximum wattages allowed by Underwriters Laboratories (UL) for the U.S. and Canadian markets may vary. Maximum wattages specified are Underwriters Laboratories U.S. standard. Please contact Vista for any questions about the maximum wattages allowed by UL Canadian standards. This luminaire has an ingress protection rating of IP65 for protection against detrimental dust intrusion as well as penetration of water by water jet from all directions.

All Vista luminaires are [MADE IN THE U.S.A.](#)

DIMENSIONS:



Vista Professional Outdoor Lighting reserves the right to modify the design and/or construction of the fixture shown without further notification.



SPECIFICATION SHEET

MODEL 1130 Architectural Series • Inground & Well Lights

FIXTURE ORDERING INFORMATION

TO ORDER FIXTURE: Select appropriate choice from each column as in the following example.

EXAMPLE: 1130-CP-B-MF-G12-70-120/60-CX-HL

MODEL	LENS COVER	FINISH	DISTRIBUTION	BASE	WATTS	VOLTAGE	LENS	ACCESSORIES	
1130	CP - Composite	Standard	SP - Spot MF - Medium Flood WF - Wide Flood WW - Wall Wash	G12	70	120/60	CX - Crowned Clear CBL - Crowned Cool Blue CFR - Crowned Frosted	HL - Honeycomb Louver ISS - Internal Source Shield (SP Only)	
		B - Black		G8.5	39	208/60			
		DZ - Dark Bronze		GU6.5	20	240/60			
		GT - Granite				277/60			
		W - White				MVOLT			
		Premium							
		BR - Architectural Brick							
		LZ - Light Bronze							
		SB - Special Bronze							
		GG - Glossy Gray							
R - Rust									
HG - Hunter Green									
WB - Weathered Bronze									
WI - Weathered Iron									
GM - Graphite Metallic									
Hand Finished									
G - Verde									
P - Pewter									
M - Mocha									
OF - Olde Finish									