



**PROFESSIONAL**  
OUTDOOR LIGHTING

Type:

Model:

Project:

## SPECIFICATION SHEET

### MODEL 1057 Architectural Series • Up & Accent

#### FIXTURE SPECIFICATIONS:

##### DOOR:

Die-cast, low copper content, A360 aluminum offers maximum corrosion protection. Captive stainless steel fasteners affixed to a minimalistic styled door. Door is designed to shed water from the lens surface.

##### HOUSING:

Die-cast A360 aluminum. Optic and driver compartment separately sealed while being electrically connected. Housing aiming achieved via a heavy aluminum yoke strap and locked in position with stainless steel lock washers and nuts. Locking fasteners are covered with decorative die-cast aluminum end caps.

##### FINISH:

Durable powder coat finish available in Black, Architectural Bronze, Dark Bronze, Granite, White, Architectural Brick, Light Bronze, Special Bronze, Glossy Gray, Rust, Hunter Green, Weathered Bronze, Weathered Iron, Graphite Metallic, Verde, Pewter, Mocha and Olde Finish. Custom Powder coat finishes available on request.

##### LED:

Cree® CXA 1830 COB driven at 450mA, 700mA, or 900mA.

##### CRI:

The CRI range is 82-83.

##### COLOR TEMPERATURE:

LED's are offered in 2700°K, 3000°K, 3500°K, 4000°K, or 5000°K CCT ANSI white 4 step Cree® East White™ bins

##### LIGHT DISTRIBUTION:

Very Narrow Spot **VNS** (NEMA 2x2), Narrow Spot **NS** (NEMA 2x2), Medium Flood **MF** (NEMA 4x4), and Wide Flood **WF** (NEMA 6x6).

##### REFLECTOR:

High-purity anodized specular or semi-specular aluminum optics designed for maximum performance and uniformity. Very Narrow Spot **VNS** optic

incorporates an internal source shield to eliminate unwanted glare outside the beam pattern.

##### LENS/SEAL:

3/16" thick tempered and seamed clear glass sealed with a closed cell molded silicone gasket.

##### WIRING:

3 foot 18/3 outdoor-rated hard usage cable standard for non-dimming **ND** fixtures. 3 foot 18/5 outdoor-rated hard usage cable standard for dimming **010**. Cable exits fixture housing through a liquid tight cable fitting.

##### DRIVER:

Integral CUL listed LED driver, either non-dimmable **ND** or dimmable. Dimming: 0-10VDC **010**. Multi-Volt **MV** 120V-277V driver input standard.

##### ACCESSORIES:

**DF** - Diffuse Filter, **LSFH**- Linear Spread Filter Horizontal, **LSFV**- Linear Spread Filter Vertical, **BD**- Barn Doors, **FS**- Full Shield, and **HS**- Half Shield available. **BD**, **FS** and **HS** accessories are attached into pre-existing slots located on the underside of the fixture door providing for a fastener free appearance.

##### MOUNTING:

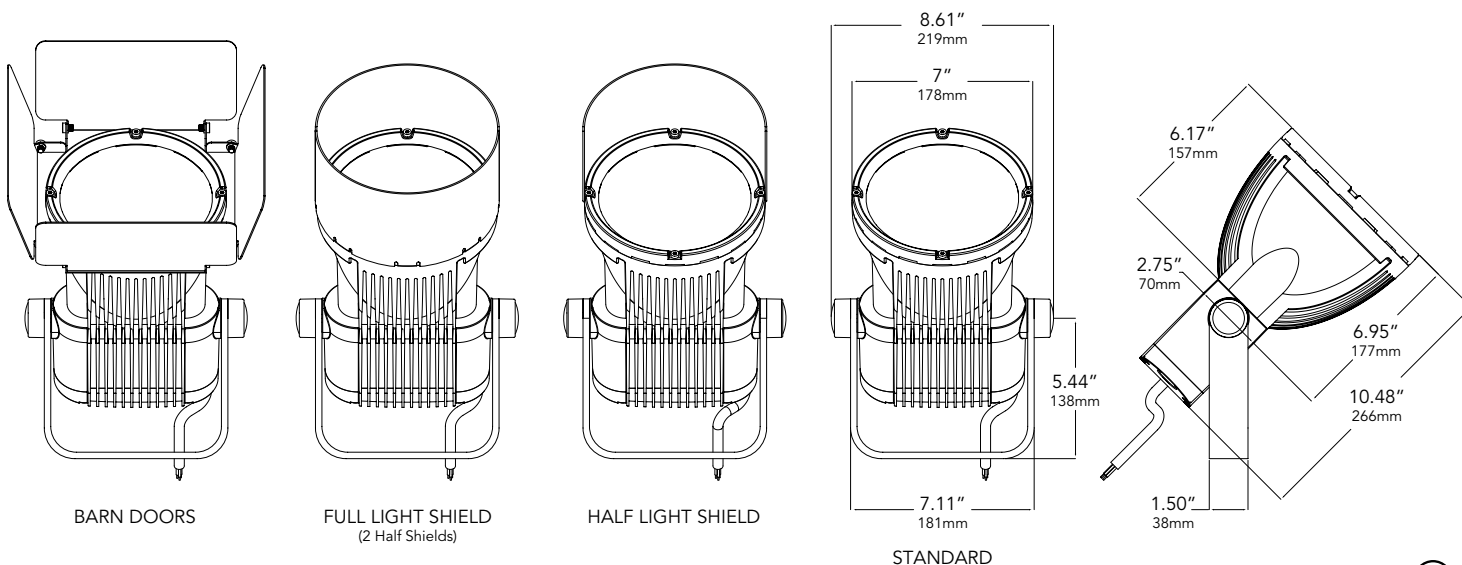
Ground, wall, or ceiling mounted on a heavy aluminum yoke strap including a heavy-duty liquid tight corrosion resistant cord seal. Addition mounting holes provided in the yoke strap; fasteners by others. Please see the Vista Pro website for additional stanchion mount, wall box, and recessed box mounting accessories.

##### CERTIFICATION:

UL & CUL wet location listed. *IP66*

All Vista Architectural luminaires are **MADE IN THE U.S.A.**

#### DIMENSIONS:



Vista Professional Outdoor Lighting reserves the right to modify the design and/or construction of the fixture shown without further notification.



# SPECIFICATION SHEET

## MODEL 1057 Architectural Series • Up & Accent Lights

### LAMP SPECIFICATIONS

**LED:**

- High lumen output LED powered for high efficacy
- Cree® CXA 1830 COB driven at 450mA, 700mA, or 900mA
- 2700°K 3000°K, 3500°K, 4000°K, or 5000°K CCT ANSI white 4 step Cree® Easy White™ bins.
- 1500-3000 Delivered Lumens
- 20-40 Watts

**OPTICS/AIMING:**

- High-purity anodized specular or semi-specular aluminum optics designed for maximum performance and uniformity
- Very Narrow Spot **VNS** (NEMA 2x2), Narrow Spot **NS** (NEMA 2x2), Medium Flood **MF** (NEMA 4x4), and Wide Flood **WF** (NEMA 6x6)
- Housing aiming achieved via a heavy aluminum yoke strap and locked in position with stainless steel lock washers and nuts

**ELECTRICAL:**

- Constant current 450mA, 700mA, or 900mA output driver
- Multi-Volt **MV** 120V-277V universal input
- 3 foot 18/3 outdoor-rated hard usage cable standard for non-dimming fixtures
- 3 foot 18/5 outdoor-rated hard usage cable standard for dimming fixtures

### FIXTURE ORDERING INFORMATION

TO ORDER FIXTURE: Select appropriate choice from each column as in the following example.

**EXAMPLE: 1057-GG-NS-40-B-MV-010-HS**

MODEL	FINISH	DISTRIBUTION	COLOR TEMP	DELIVERED LUMENS	VOLTAGE	DIMMING	ACCESSORIES
1057	Standard	<b>VNS</b> - Very Narrow Spot <b>NS</b> - Narrow Spot <b>MF</b> - Medium Flood <b>WF</b> - Wide Flood	<b>27</b> - 2700°K <b>30</b> - 3000°K <b>35</b> - 3500°K <b>40</b> - 4000°K <b>50</b> - 5000°K	<b>A</b> - 1500-2000 Lumens <b>B</b> - 2000-2500 Lumens <b>C</b> - 2500-3000 Lumens  *	<b>MV</b> - Multi-Volt (120V-277V)	<b>ND</b> - No Dimming <b>010</b> - 0-10V	<b>BD</b> - Barn Doors <b>FS</b> - Full Light Shield <b>HS</b> - Half Light Shield <b>DF</b> - Diffuse Filter <b>LSFH</b> - Linear Spread Filter Horizontal <b>LSFV</b> - Linear Spread Filter Vertical
	B - Black						
	Z - Architectural Bronze						
	DZ - Dark Bronze						
	GT - Granite						
	W - White						
	Premium						
	BR - Architectural Brick						
	LZ - Light Bronze						
	SB - Special Bronze						
GG - Glossy Gray							
R - Rust							
HG - Hunter Green							
WB - Weathered Bronze							
WI - Weathered Iron							
GM - Graphite Metallic							
Hand Finished							
G - Verde							
P - Pewter							
M - Mocha							
OF - Olde Finish							

\* 1057-VNS not available with B & C Delivered Lumen Packages



**PROFESSIONAL**  
OUTDOOR LIGHTING

## SPECIFICATION SHEET

### MODEL 1057 Architectural Series • Up & Accent Lights

#### LUMEN OUTPUT PACKAGES

Watts	Lumens
-------	--------

Beam Spread	A	B	C
VNS	38.3 Watts 1685 Lumens		
NS	19.2 Watts 1835 Lumens	27.8 Watts 2589 Lumens	42.7 Watts 2825 Lumens
MF	19.2 Watts 1603 Lumens	27.8 Watts 2214 Lumens	38.3 Watts 2748 Lumens
WF	19.4 Watts 1613 Lumens	27.8 Watts 2263 Lumens	38.1 Watts 2775 Lumens

*Vista Professional Outdoor Lighting reserves the right to modify the design and/or construction of the fixture shown without further notification.*