



PROFESSIONAL
OUTDOOR LIGHTING

Type:

Model:

Project:

SPECIFICATION SHEET

MODEL 1045Y Architectural Series • Up & Accent

FIXTURE SPECIFICATIONS:

DOOR:

Die-cast, low copper content, A360 aluminum offers maximum corrosion protection. Stainless steel fasteners affixed to a minimalistic styled flat door (standard). Door is designed to shed water from the lens surface.

Also available as an accessory is a die-cast medium shield **CS**.

HOUSING:

Die-cast A360 aluminum. Optic and driver compartment separately sealed while being electrically connected. Housing aiming achieved via an aluminum yoke strap and stainless fasteners beneath removable decorative yoke caps. Housing can swing completely through yoke strap (see MOUNTING).

FINISH:

Durable powder coat finish available in Black, Architectural Bronze, Dark Bronze, Granite, White, Architectural Brick, Light Bronze, Special Bronze, Glossy Gray, Rust, Hunter Green, Weathered Bronze, Weathered Iron, Graphite Metallic, Verde, Pewter, Mocha and Olde Finish. Custom Powder coat finishes available on request.

LED:

Cree® CXA 1830 COB driven at 350mA, 500mA, or 620mA.

COLOR TEMPERATURE:

LED's are offered in 2700°K, 3000°K, 3500°K, 4000°K, or 5000°K CCT ANSI white 4 step Cree® Easy White™ bins

LIGHT DISTRIBUTION:

Very Narrow Spot **VNS** (NEMA 3x3) (17° FWHM), Narrow Spot **NS** (NEMA 3x3) (18° FWHM), Medium Flood **MF** (NEMA 4x4) (30° FWHM), and Wide Flood **WF** (NEMA 5x5) (50° FWHM).

REFLECTOR:

High-purity, vacuum metalized, specular or semi-specular optics designed for maximum performance and uniformity. Very Narrow Spot **VNS** optic incorporates an internal source shield to eliminate unwanted glare outside the beam pattern.

LENS/SEAL:

4.0 mm thick tempered and sealed clear glass sealed with a closed cell molded silicone gasket.

WIRING:

3' 18/3 outdoor-rated hard usage cable standard for non-dimming **ND** and Phase Cut TRIAC (120V only) dimming **PCT** fixtures. 3' 18/5 outdoor-rated hard usage cable standard for 0-10V dimming **010** fixtures. Cable exits fixture housing through a liquid tight cable fitting.

DRIVER:

Integral CUL listed LED driver, either non-dimmable **ND** or dimmable. Dimming: 0-10VDC **010** and Phase Cut TRIAC (120V only) **PCT** options available. Multi-Volt **MV** 120V-277V driver input standard.

ACCESSORIES:

Barn Doors **BD**, Full Shield **FS**, and Half Shield **HS** available. Accessories are attached into pre-existing slots located on the underside of the fixture door providing for a fastener free appearance.

MOUNTING:

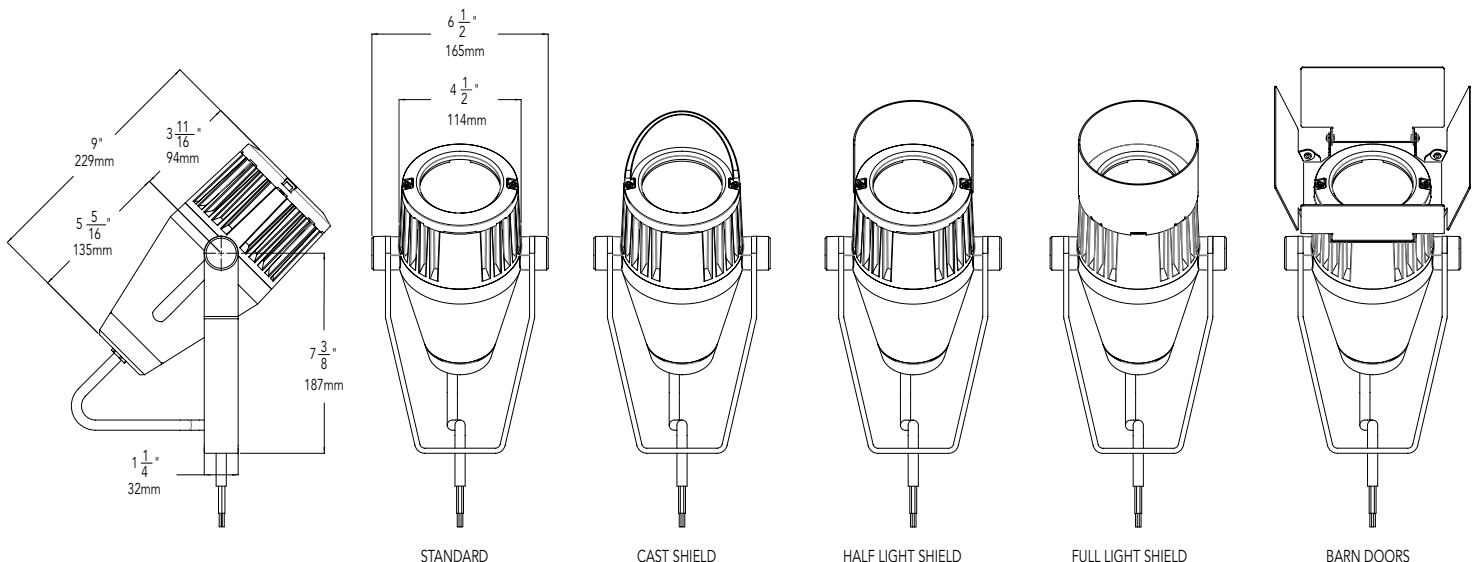
Yoke provided with 1/2NPSM stainless Cord Seal Mount to secure the yoke strap directly into a 1/2-14 threaded opening. Please see the Vista website for additional Mounts and Accessories.

CERTIFICATION:

UL & CUL wet location certified. *IP66*

All Vista luminaires are **MADE IN THE U.S.A.**

DIMENSIONS:



Vista Professional Outdoor Lighting reserves the right to modify the design and/or construction of the fixture shown without further notification.



SPECIFICATION SHEET

MODEL 1045Y Architectural Series • Up & Accent Lights

LAMP SPECIFICATIONS

LED:

- High lumen output LED powered for high efficacy
- Cree® CXA 1830 COB driven at 350mA, 500mA, or 620mA
- 2700°K, 3000°K, 3500°K, 4000°K, or 5000°K CCT ANSI white 4 step Cree® Easy White™ bins.
- 1100-2400 Delivered Lumens
- 15-26 Watts

OPTICS/AIMING:

- High-purity, vacuum metalized, specular or semi-specular optics designed for maximum performance and uniformity.
- Very Narrow Spot **VNS** (17° FWHM), Narrow Spot **NS** (18° FWHM), Medium Flood **MF** (30° FWHM), and Wide Flood **WF** (50° FWHM).
- Housing aiming achieved via an aluminum yoke strap.

ELECTRICAL:

- Constant current 350mA, 500mA, or 620mA output driver.
- Multi-Volt **MV** 120V-277V universal input.
- 3' 18/3 outdoor-rated hard usage cable standard for non-dimming fixtures and Phase Cut TRIAC PCT dimming fixtures.
- 3' 18/5 outdoor-rated hard usage cable standard for 0-10V dimming fixtures.

FIXTURE ORDERING INFORMATION

TO ORDER FIXTURE: Select appropriate choice from each column as in the following example.

EXAMPLE: 1045Y-GG-NS-40-C-MV-ND-HS

MODEL	FINISH	DISTRIBUTION	COLOR TEMP	DELIVERED LUMENS	VOLTAGE	DIMMING	ACCESSORIES
1045Y	Standard	VNS - Very Narrow Spot* NS - Narrow Spot MF - Medium Flood WF - Wide Flood	27 - 2700°K 30 - 3000°K 35 - 3500°K 40 - 4000°K 50 - 5000°K	A - 1100-1500 B - 1500-1900 C - 1900-2400	MV - Multi-Volt (120V-277V)	ND - No Dimming 010 - 0-10V PCT - Phase Cut TRIAC (120V only)	BD - Barn Doors FS - Full Light Shield HS - Half Light Shield CS - Cast Shield 5 - 5' Wire Lead HL - Honeycomb Louver
	BR - Architectural Brick						
	LZ - Light Bronze						
	SB - Special Bronze						
	GG - Glossy Gray						
	R - Rust						
	HG - Hunter Green						
	WB - Weathered Bronze						
	WI - Weathered Iron						
	GM - Graphite Metallic						
Hand Finished						NOTE: * If fixture to be used with Extended Arm Mount (EAM) - <u>must order</u> with extended wire length	
G - Verde							
P - Pewter							
M - Mocha							
OF - Olde Finish							

* 1045-VNS not available with C lumen packages.

LUMEN OUTPUT PACKAGES

Watts	Lumens
-------	--------

Beam Spread	A	B	C
VNS	23.2 Watts	26.0 Watts	
	1141 Lumens	1409 Lumens	
NS	15.7 Watts	22.8 Watts	25.5 Watts
	1302 Lumens	1883 Lumens	2325 Lumens
MF	16.1 Watts	23.3 Watts	26.1 Watts
	1249 Lumens	1807 Lumens	2230 Lumens
WF	15.8 Watts	22.9 Watts	25.7 Watts
	1163 Lumens	1682 Lumens	2077 Lumens

Vista Professional Outdoor Lighting reserves the right to modify the design and/or construction of the fixture shown without further notification.