



PROFESSIONAL
OUTDOOR LIGHTING

Type:

Model:

Project:

SPECIFICATION SHEET

MODEL 1043 Architectural Series • Up & Accent

FIXTURE SPECIFICATIONS:

DOOR:

Die-cast, low copper content, A360 aluminum offers maximum corrosion protection. Stainless steel fasteners affixed to a minimalistic styled flat door (standard). Door is designed to shed water from the lens surface. Also available as an accessory is a die-cast medium shield **CS**.

HOUSING:

Die-cast A360 aluminum. Optic and driver compartment separately sealed while being electrically connected. Housing aiming achieved via a Vista patented Infinity Knuckle (see MOUNTING).

FINISH:

Durable powder coat finish available in Black, Architectural Bronze, Dark Bronze, Granite, White, Architectural Brick, Light Bronze, Special Bronze, Glossy Gray, Rust, Hunter Green, Weathered Bronze, Weathered Iron, Graphite Metallic, Verde, Pewter, Mocha and Olde Finish. Custom Powder coat finishes available on request.

LED:

Cree® MT-G2 High Density Array (HDA) driven at 500mA, 700mA, 750mA, 1000mA, 1400mA, or 1750mA.

COLOR TEMPERATURE:

LED's are offered in 2700°K, 3000°K, 3500°K, 4000°K, or 5000°K CCT ANSI white 4 step Cree® Easy White™ bins

LIGHT DISTRIBUTION:

Very Narrow Spot **VNS** (16° FWHM), Narrow Spot **NS** (19° FWHM), Medium Flood **MF** (30° FWHM), and Wide Flood **WF** (46° FWHM).

REFLECTOR:

High-purity, vacuum metalized, specular or semi-specular optics designed for maximum performance and uniformity. Very Narrow Spot **VNS** optic incorporates an internal source shield to eliminate unwanted glare outside the beam pattern.

LENS/SEAL:

2.7 mm thick tempered and seamed clear glass sealed with a closed cell molded silicone gasket.

WIRING:

Prewired with 150° C-rated wire.

DRIVER:

Multi-Volt **MV** 120V-277V driver input standard. Integral CUL listed LED driver, either non-dimmable **ND** or dimmable. Dimming: 0-10VDC **010** and Phase Cut TRIAC (120V only) **PCT** options available.

ACCESSORIES:

Barn Doors **BD**, Full Shield **FS**, and Half Shield **HS** available. Accessories are attached into pre-existing slots located on the underside of the fixture door providing for a fastener free appearance.

MOUNTING:

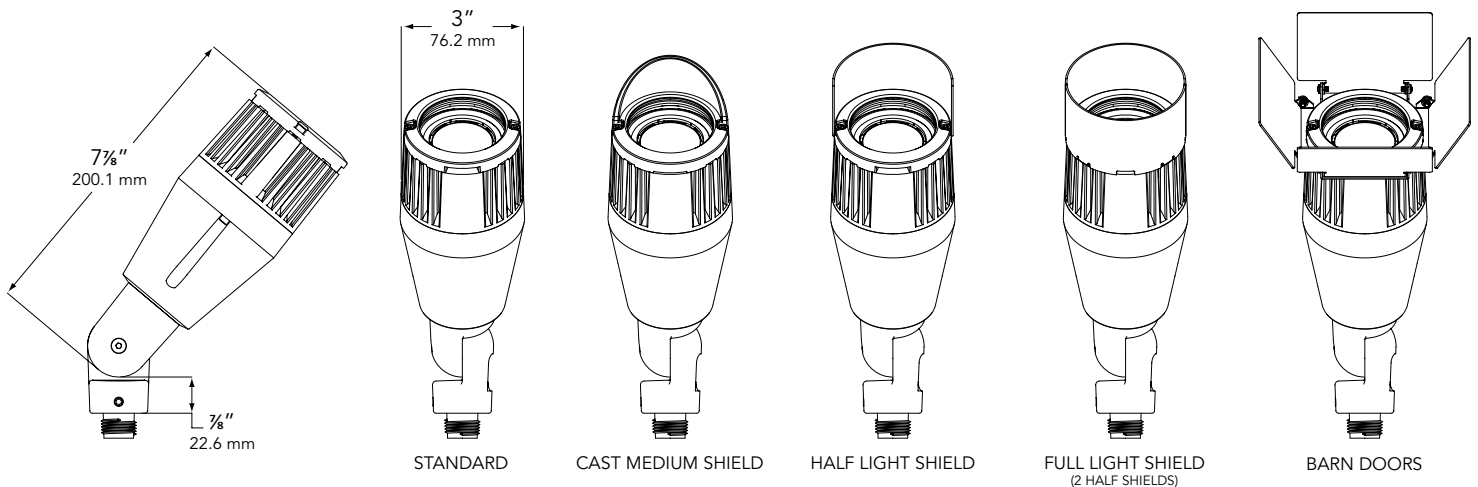
Infinity Knuckle - Die-cast, copper-free aluminum, stainless steel stem with 1/2" NPT thread. A fully sealed spherical grommet allows infinite adjustment capabilities.

CERTIFICATION:

UL & CUL wet location certified. *IP66*

All Vista Architectural luminaires are **MADE IN THE U.S.A.**

DIMENSIONS:



Vista Professional Outdoor Lighting reserves the right to modify the design and/or construction of the fixture shown without further notification.



SPECIFICATION SHEET

MODEL 1043 Architectural Series • Up & Accent Lights

LAMP SPECIFICATIONS

LED:

- High lumen output LED powered for high efficacy.
- Cree® MT-G2 High Density Array (HDA), driven at 500mA, 700mA, 750mA, 1000mA, 1400mA, or 1750mA.
- 2700°K, 3000°K, 3500°K, 4000°K, or 5000°K CCT ANSI white 4 step Cree® Easy White™ bins.
- 135-1212 Delivered Lumens.

CRI

- The CRI range is 81-84.

OPTICS/AIMING:

- High-purity, vacuum metalized, specular or semi-specular optics designed for maximum performance and uniformity.
- Very Narrow Spot **VNS** (16° FWHM), Narrow Spot **NS** (19° FWHM), Medium Flood **MF** (30° FWHM), and Wide Flood **WF** (46° FWHM).

- Housing aiming achieved via a Vista patented Infinity Knuckle (see MOUNTING).

ELECTRICAL:

- Multi-Volt **MV** 120V-277V universal input.
- Prewired with 150° C-rated wire.
- Constant current 700mA or 1A output driver (non-dimmable) - **ND**.
- 0-10VDC **010** and Phase Cut TRIAC **PCT** dimming available

FIXTURE ORDERING INFORMATION

TO ORDER FIXTURE: Select appropriate choice from each column as in the following example.

EXAMPLE: 1043-GG-NS-40-C-MV-ND-HS

MODEL	FINISH	DISTRIBUTION	COLOR TEMP	DELIVERED LUMENS	VOLTAGE	DIMMING	ACCESSORIES
1043	Standard	VNS - Very Narrow Spot* NS - Narrow Spot** MF - Medium Flood** WF - Wide Flood**	27 - 2700°K 30 - 3000°K 35 - 3500°K 40 - 4000°K 50 - 5000°K	A - 0-200 Lumens B - 200-400 Lumens C - 400-600 Lumens D - 600-750 Lumens E - 750-1050 Lumens F - 1050-1250 Lumens	MV - Multi-Volt (120V-277V)	ND - No Dimming 010 - 0-10V Dimming PCT - Phase Cut TRIAC (120V only)	BD - Barn Doors FS - Full Light Shield HS - Half Light Shield CS - Cast Shield 5 - 5' Wire Lead HL - Honeycomb Louver
	BR - Architectural Brick						
	LZ - Light Bronze						
	SB - Special Bronze						
	GG - Glossy Gray						
	R - Rust						
	HG - Hunter Green						
	WB - Weathered Bronze						
	WI - Weathered Iron						
	GM - Graphite Metallic						
Hand Finished	NOTE: * If fixture to be used with Extended Arm Mount (EAM) - <u>must order</u> with extended wire length						
G - Verde							
P - Pewter							
M - Mocha							
OF - Olde Finish							

* 1043-VNS only available in A, B Delivered Lumen Packages.

** 1043-NS, MF, WF only available in B, C, D, E, F Delivered Lumen Packages

LUMEN OUTPUT PACKAGES

Watts	Lumens
-------	--------

Beam Spread	A	B	C	D	E	F
VNS	4.6 Watts 135 Lumens	15.7 Watts 361 Lumens				
NS		4.6 Watts 364 Lumens	9.0 Watts 566 Lumens	13.2 Watts 738 Lumens	15.9 Watts 1035 Lumens	19.5 Watts 1212 Lumens
MF		4.6 Watts 321 Lumens	9.1 Watts 487 Lumens	12.8 Watts 711 Lumens	15.9 Watts 1035 Lumens	20.1 Watts 1188 Lumens
WF		4.6 Watts 332 Lumens	9.4 Watts 542 Lumens	12.6 Watts 687 Lumens	15.6 Watts 967 Lumens	19.2 Watts 1052 Lumens

Vista Professional Outdoor Lighting reserves the right to modify the design and/or construction of the fixture shown without further notification.