

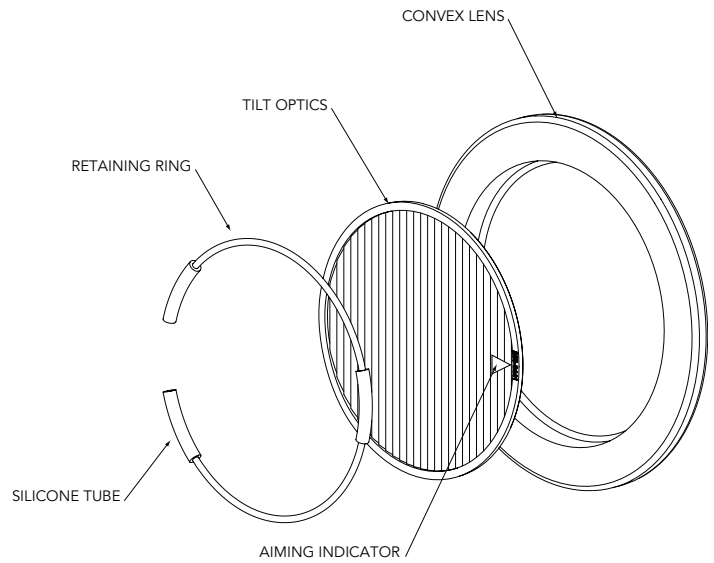


INSTALLATION INSTRUCTIONS

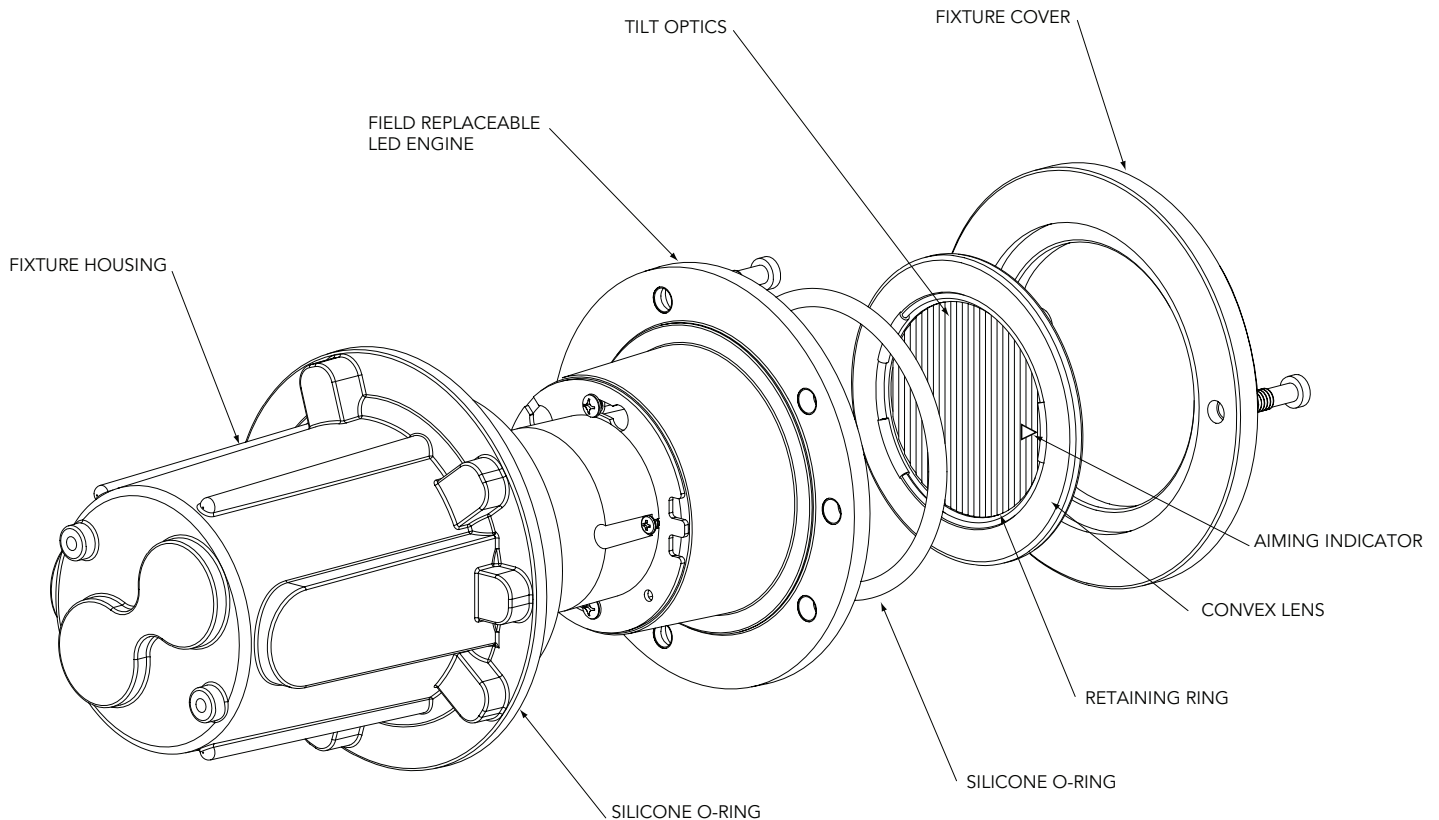
NOT TO BE USED WITH HALOGEN EQUIPPED FIXTURES.

ACCESSORY MOUNTING:

1. Make sure electrical supply is off at circuit breaker before starting accessory installation or servicing luminaire.
2. Remove fixture cover by loosening fixture cover screws.
3. Remove the convex lens.
4. Place tilt optic lens into recessed area of convex lens.
5. Secure tilt optic lens with retaining ring making sure the three silicone tubes are in place.
6. Before reinstalling convex lens, be sure silicone O-ring is clean.
7. Reinstall convex lens with tilt optic kit in place.
8. Using aiming indicator(s) on the tilt optic lens, align optic to achieve desired effect.
8. Reinstall fixture cover by tightening fixture cover screws evenly.
9. Supply power to the luminaire and check for proper operation.



DO NOT USE TOK-1160 WITH HALOGEN EQUIPPED FIXTURES.



Vista Professional Outdoor Lighting reserves the right to modify the design and/or construction of the fixture shown without further notification.