



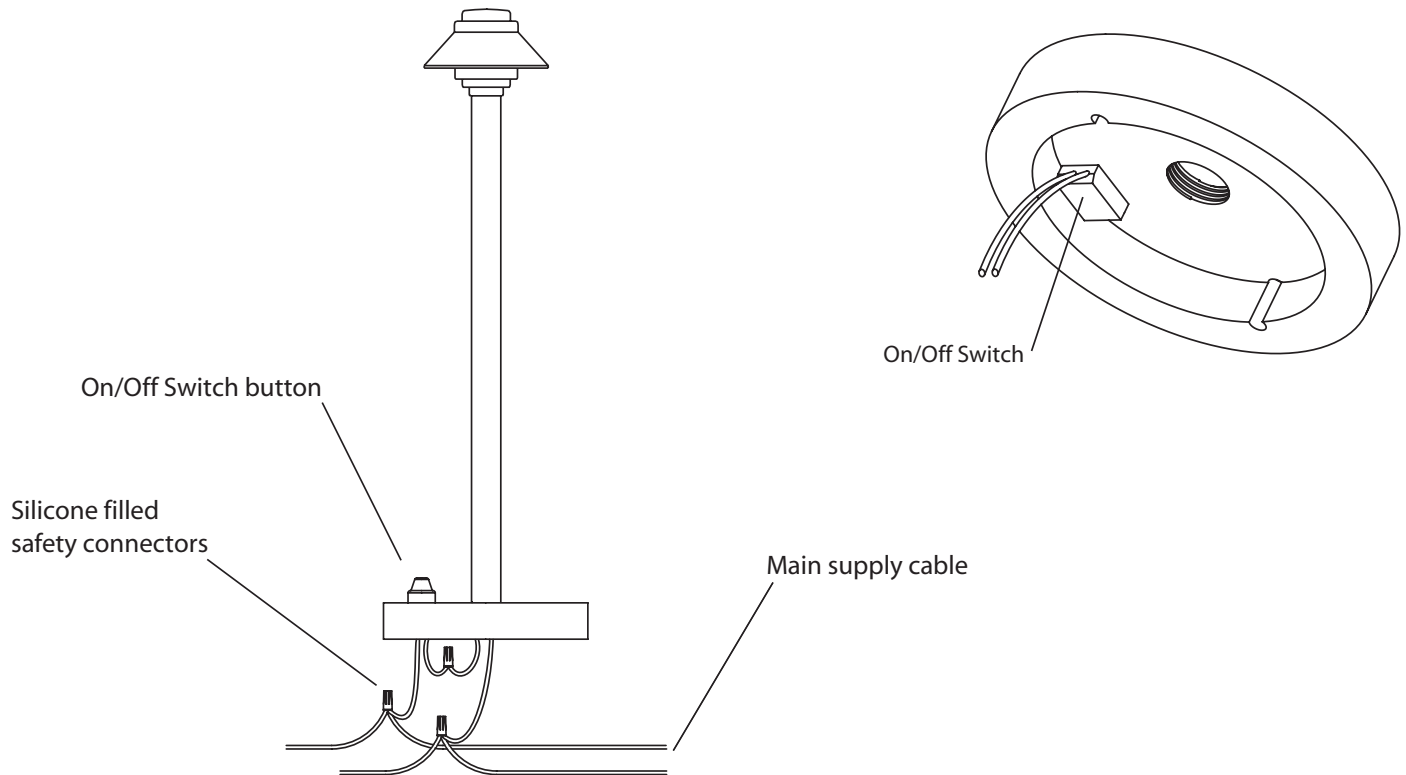
**VISTA
PROFESSIONAL
OUTDOOR
LIGHTING**

INSTALLATION INSTRUCTIONS

SM-150

ACCESSORIES

Multi-Purpose Canopy Base



WARNING: All accessories must be installed in accordance with the National Electrical Code (NEC) and local codes. Failure to do so will void the warranty and may result in serious injury and/or damage to the luminaire.
DO NOT USE EXTENSION CORDS ON POWER UNITS.
NOTE: Always use UL recognized wire connectors for connections.
NOTE: Save these instructions for future reference.

MULTI-PURPOSE CANOPY BASE INSTALLATION:

1. To prevent electrical shock, disconnect transformer from electrical supply installation or service
2. Run wire pigtail from luminaire through the ½" FTP in the canopy base
3. Using a silicone filled safety connector, connect one of luminaire leads to one of the On/Off switch canopy base leads
4. Using a silicone filled safety connector, connect the remaining On/Off switch canopy base lead to main supply cable
5. Using a silicone filled safety connector, connect the remaining luminaire lead to the main supply cable
6. Provide power to the luminaire and check for proper operation