












**OPERATING INSTRUCTIONS**

**Model Numbers and Description of Parts**

QTY	ITEM	DESCRIPTION
1	DK-5047	Demo Case
		
4	DK-2265	2265 Pathlight w/Quick-Connect
		
6	DK-5006	5006 Uplight w/Quick-Connect
		

QTY	ITEM	DESCRIPTION
1	DK-75	12V Transformer w/Stand
		
10	GS-150	9" ABS Ground Stake
		
1	DK-1-75-1	75' Low-Voltage Cable w/Quick-Connect
		
4	DK-1-12-1	12' Low-Voltage Cable w/Quick-Connect
		
4	DK-1-4	4-way Quick-Connect/Splitter
		
1	DK-CAP	Photocell Cap
		



# OPERATING INSTRUCTIONS

## Basic Assembly and Operation

**Note:** The DK-75 transformer is delivered in a separate box for shipping purposes. However, there is sufficient room in the DK-5047 Demo Case for secure storage and transport of transformer.



1. Remove cap at top of transformer mounting post and remove transformer stand legs from inside. Insert legs into the appropriate slots in the bottom of post.



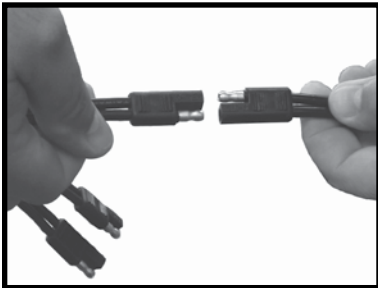
5. Install DK-5006 uplights and DK-4704 pathlights onto ground stakes then place and adjust fixture to desired beam location and angle. Connect low voltage cable to fixture lead using quick connect.



2. Secure legs with thumbscrews. Place transformer near an AC power source (outlet).



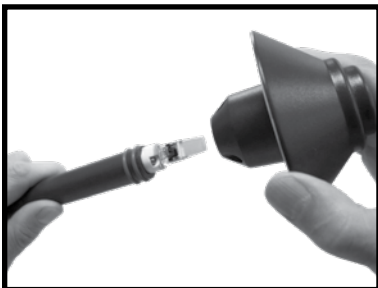
6. Plug-in transformer.



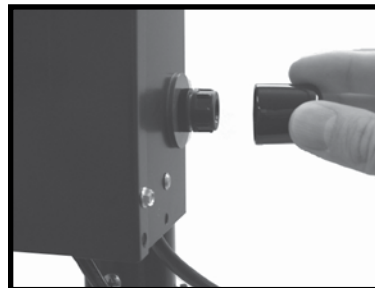
3. Connect low voltage cable to transformer lead using quick connect. Lay cable out toward area where fixture is to be placed – use additional quick-connect cables as necessary.



7. Switch 'on' using power switch located on bottom of transformer.



4. Fasten 2265 pathlight shade/housing to stem. At conclusion of lighting demo, remove shade and store in designated sections of Demo Case.



8. For testing or immediate operation in daylight, use included cap to cover photocell. Otherwise transformer will operate on a 'dusk to dawn' basis.