



PROFESSIONAL  
OUTDOOR LIGHTING

Type:

Model:

Project:

## SPECIFICATION SHEET

### MODEL FT-1505-MD Architectural Series • Accessories

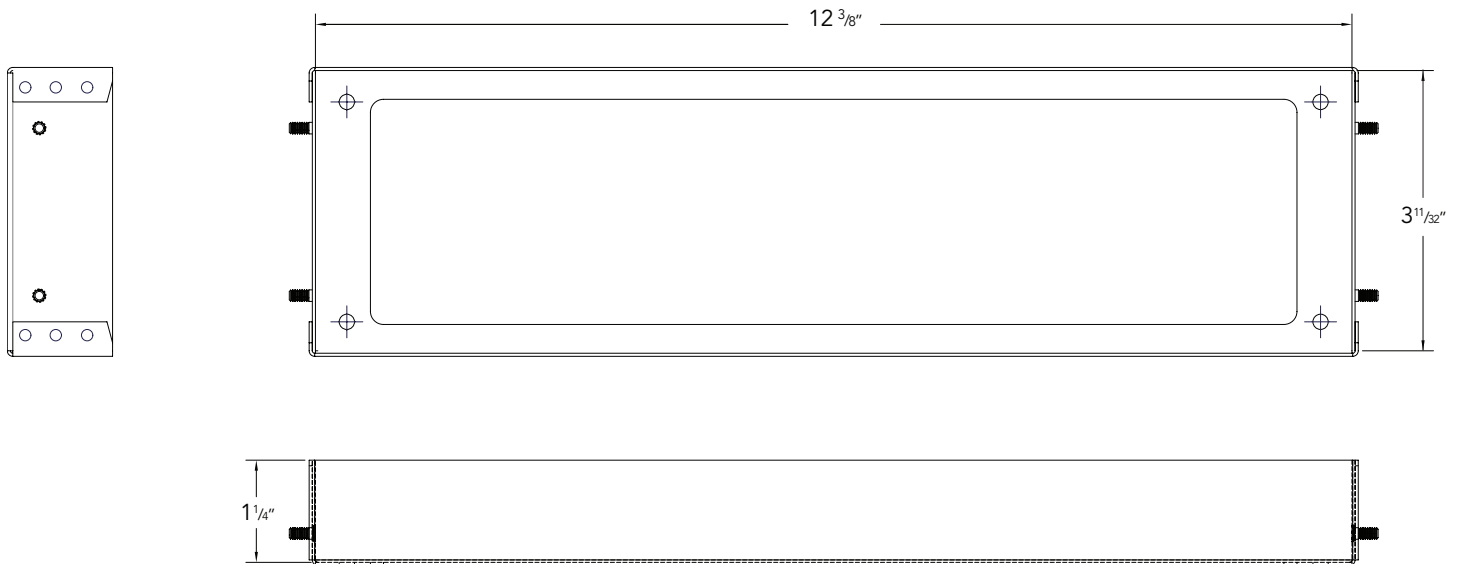
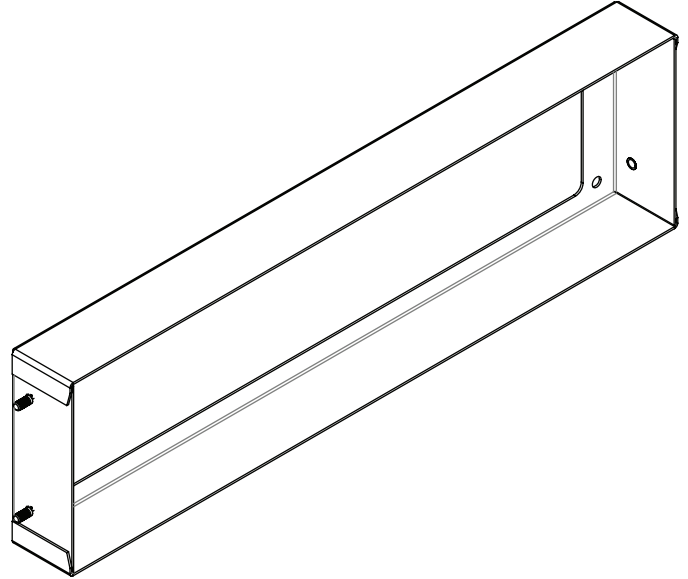
#### ACCESSORY SPECIFICATIONS:

The 1505 Series flush tray accessory is specifically designed for flush mounting of the models AB, AL, BB, BL2, BW, SW, SB, SL2, SL3. This accessory is mounted directly onto the RiB housing and installed with the RiB housing.

Constructed of stainless steel sheet, this accessory is powder coated black or any one of our standard finishes. The accessory can be used in poured concrete or block construction, as well as drywall IC and non-IC walls. The flush tray can be adjusted for 1/2" thick or 5/8" thick finished wall surfaces.

The accessory is provided with drywall mounting flanges (2) for direct nailing into framing, or concrete pour plates and mounting hardware.

All Vista accessories are [MADE IN THE U.S.A.](#)



Vista Professional Outdoor Lighting reserves the right to modify the design and/or construction of the fixture shown without further notification.