



**VISTA
PROFESSIONAL
OUTDOOR
LIGHTING**

INSTALLATION INSTRUCTIONS

5223

12V SERIES

Step and Brick Lights

FOR USE ONLY WITH LOW VOLTAGE LANDSCAPE POWER UNITS THAT DO NOT EXCEED 25 AMPS, 15 VOLT MAXIMUM.

WARNING: Luminaires must be installed in accordance with the National Electrical Code (NEC) and local codes. Failure to do so will void the warranty and may result in serious injury and/or damage to the luminaire.

SAFETY WARNING: Luminaire can become very hot depending on lamp wattage used. Lens and metal around lamp can become hot enough to blister hands. Particular care should be taken not to locate luminaires where small children can reach them if high wattage lamps are used.

LUMINAIRES ARE NOT TO BE INSTALLED WITHIN 10 FT. (3.05M) OF A POOL OR SPA. SECONDARY CABLE IS NOT TO BE BURIED MORE THAN 6". WHEN USING MULTIPLE LUMINAIRES, LOAD IS NOT TO EXCEED THE TOTAL WATTS OF TRANSFORMER RATING. DO NOT USE EXTENSION CORDS ON POWER UNITS.

NOTE: Always use UL recognized wire connectors for connections.

NOTE: Save these instructions for future reference.

LUMINAIRE IS UL LISTED FOR ABOVE GROUND INSTALLATION ONLY.



Installation for existing walls/surfaces:

LUMINAIRE MOUNTING:

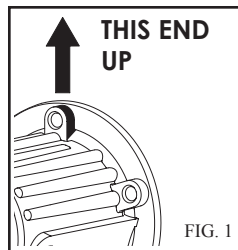
1. To prevent electrical shock, disconnect transformer from electrical supply before installation or service.
2. Using luminaire housing as a template, mark the location of the housing on the wall or other mounting surface.
3. Cut hole in wall or other mounting surface to accept housing.

NOTE: Remove any insulation within six (6) inches of where luminaire will be mounted.

4. Insert housing into cut hole and secure tightly to wall or other mounting surface.

NOTE: Position housing in wall so that one of the screw bosses is oriented upward. This will provide optimum positioning of the lens cover when secured. see fig. 1.

NOTE: An optional wall support mounting bracket is available to aid in securing fixture in the mounting surface.



5. Install cover plate to luminaire and tighten screws evenly.
6. Strip the two (2) leads from the luminaire wire. Using the two (2) silicone filled safety connectors (provided), connect the leads from the luminaire to the main supply cable leads.

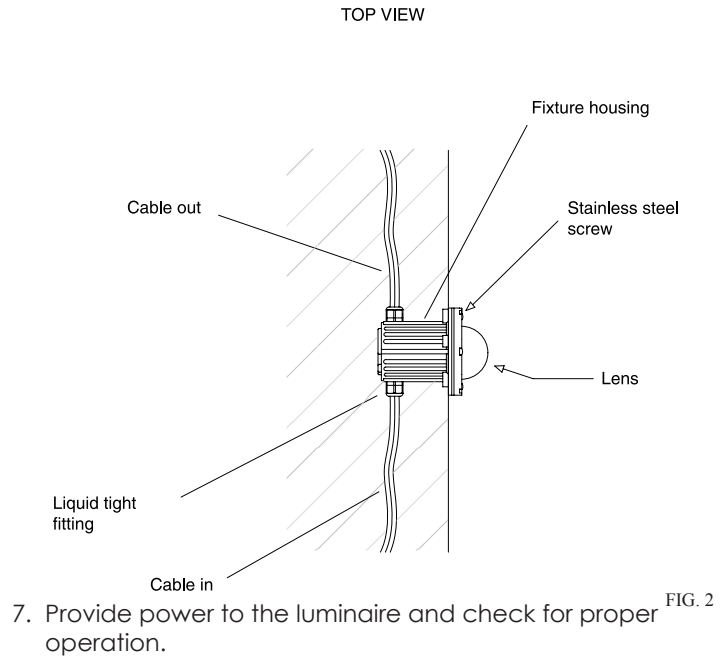
Installation for flush mounting in existing walls/surfaces:

LUMINAIRE MOUNTING:

1. To prevent electrical shock, disconnect transformer from electrical supply before installation or service.
2. Using JBCP-150 housing as a template, mark the location of the housing on the wall or other mounting surface.
3. Cut hole in wall or other mounting surface to accept housing.

NOTE: Remove any insulation within six (6) inches of where luminaire will be mounted.

4. Install JBCP-150 concrete mounting guard making sure the top edge of the ring lines up with the top edge of the lens cover. Secure side bands to the bottom of fixture with #10 screws provided. (Side bands of JBCP-150 may be bent outward to adjust the fit of the top ring.)



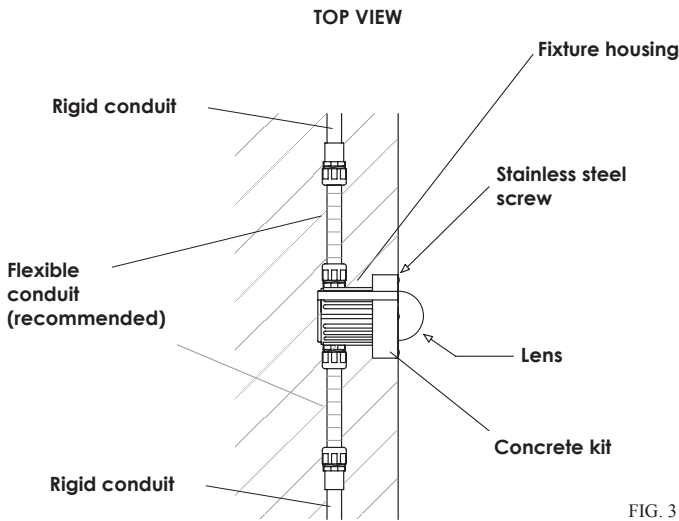


FIG. 3

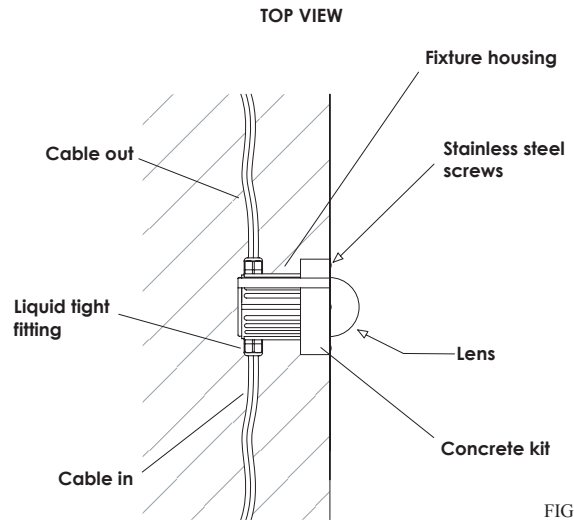


FIG. 4

5. If running wire through conduit, UL listed flexible conduit is recommended for in and out connections to ease fixture position and adjustment during installation.

5a. Install conduit through 3/4" NPT holes in sides of luminaire using Teflon tape or other thread sealant. Using plug (provided), seal unused conduit entry if required.

5b. Pull electrical supply wires (line in) through conduit and luminaire. Pull wires long enough for manual connections with safety connectors (4" to 6" above the top rim of luminaire). See fig. 5.

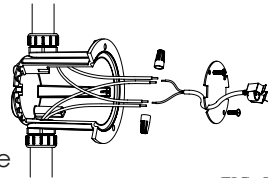


FIG. 5

5c. Insert housing into cut hole and secure tightly to wall or other mounting surface.

NOTE: Due to the temperature requirements in the wiring compartment, UL listed THHN stranded copper electrical wire is recommended for electrical supply wires.

5d. Make wire connections to luminaire as required using the safety connectors provided.

5e. Coil wire leads along bottom of fixture and close wiring compartment as shown in fig. 6.

NOTE: Position housing in wall so that one of the screw bosses is oriented upward. This will provide optimum positioning of the lens cover when secured. see fig. 7.

NOTE: An optional wall support mounting bracket is available to aid in securing fixture in the mounting surface.

6. Install lens cover to luminaire and tighten screws evenly.

7. Strip the two (2) leads from the luminaire wire. Using the two (2) silicone filled safety connectors (provided), connect the leads from the luminaire to the main supply cable leads (see above).

8. Provide power to the luminaire and check for proper operation.

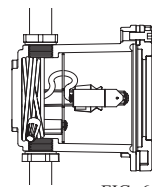


FIG. 6

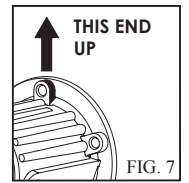


FIG. 7

LAMP INSTALLATION/REPLACEMENT:

IMPORTANT SAFETY INSTRUCTIONS THE LIGHTED LAMP IS HOT!!

WARNING: TO REDUCE THE RISK OF FIRE, OR INJURY TO PERSONS:

1. Turn off/unplug and allow to cool before replacing lamp.
2. Lamps get hot quickly! Contact only switch/plug when turning on.
3. Do not touch hot lens, guard or enclosure.
4. Keep lamp away from material that may burn.
5. Do not touch the lamp at any time. Use a soft cloth. Oil from the skin may damage lamp.
6. Do not operate luminaire fitting with a missing or damaged cover.

SAVE THESE INSTRUCTIONS

CAUTION: Do not exceed maximum wattage marked on luminaire label.

1. To prevent electrical shock, disconnect transformer from electrical supply before service.

2. Loosen cover screws and remove cover.

3. Remove gasket.

4. Replace lamp with correct wattage and type marked on fixture label.

NOTE: DO NOT touch Halogen lamp with bare hands.

Always use soft cloth or the plastic wrapping (if available) from the lamp to handle the lamp.

5. Clean gasket channel and re-install a new gasket.

NOTE: As a recommended practice for installers of all recessed luminaires, Vista strongly recommends replacing the gasket with a new one every time the fixture is unsealed for maintenance. A replacement gasket for future use is provided for your convenience. Additional gaskets for your maintenance kit may be purchased through your local Vista Professional Outdoor Lighting distributor.

6. Re-install cover and tighten the cover screws evenly.