



INSTALLATION INSTRUCTIONS

IMPORTANT NOTE:

- Luminaire must be installed and grounded in accordance with the National Electrical Code (NEC) and local codes.
- All conduit entries must be sealed from moisture. Use appropriate sealing material on conduit fittings and conduit closure plugs.
- Luminaire is wet location listed and suitable for mounting in-grade.
- Suitable for all types of construction including poured concrete construction and in soil applications.
- Suitable for through wiring: Max. of (4) No. 12 AWG conductors (plus ground) rated for 90°C.

WARNING: Debris must be kept clear from top and interior of in-grade fixtures. Excessive heat could occur that may create a fire hazard and/or harm the fixture components. Specific attention must be made to never install in-grade fixtures in mulch, wood chips or other potentially ignitable materials. Failure to do so will void the warranty and may result in serious injury and/or damage to the fixture and/or property.

SAFETY WARNING: Luminaire can become very hot depending on the lamp wattage used. Lens and housing around the lamp can become hot enough to blister hands. Particular care should be taken not to locate luminaires where small children can reach them if high wattage lamps are used.

MAINTENANCE: To assure proper operation and efficiency and to prevent luminaire overheating, lens must be kept clean and free of dirt, dust, leaves, trash and mineral deposits from water. A regular schedule maintenance program is recommended.

NOTE: Save these instructions for future reference.



INGRADE SOIL INSTALLATION:

IMPORTANT NOTE: Temporary cover plate and vinyl label must remain in place during housing installation.

PRECAUTION: Adequate drainage must be provided during installation. It is recommended the luminaire be surrounded by 3" to 4" of pea gravel along the sides and a minimum of 6" of pea gravel at the bottom beneath the luminaire housing. Top of luminaire must be above grade so rain and irrigation water will not accumulate for long periods of time.

1. To prevent electrical shock, turn main power off at circuit breaker.
2. Dig hole approximately 16" in diameter to a depth suitable to make top of temporary cover plate 3/4" above grade (see fig. 1). Pea gravel is required for seating the luminaire housing and providing necessary drainage.
3. Connect conduit to housing. UL listed flexible conduit is recommended for in and out connections to ease fixture positioning.
4. Plug any unused NPT holes with closure plugs (provided).
5. Position fixture within the hole and back fill with pea gravel. Only the uppermost layer, 3" maximum, should be soil or organic mulch.
6. To pull supply conductor wiring, first remove and retain the temporary cover plate and plate screws by piercing through the label at the screw locations to access the screws.
7. Remove and retain junction box cover and cover screws.
8. Pull electrical supply wires (line in) through conduit and junction box. For through branch wiring, pull wires upward making a 6" loop above the top rim of the junction box.
9. Stuff the wire loop back into the junction box and reinstall the junction box cover using the cover screws.
10. Reinstall the temporary cover plate with vinyl label using the cover screws.

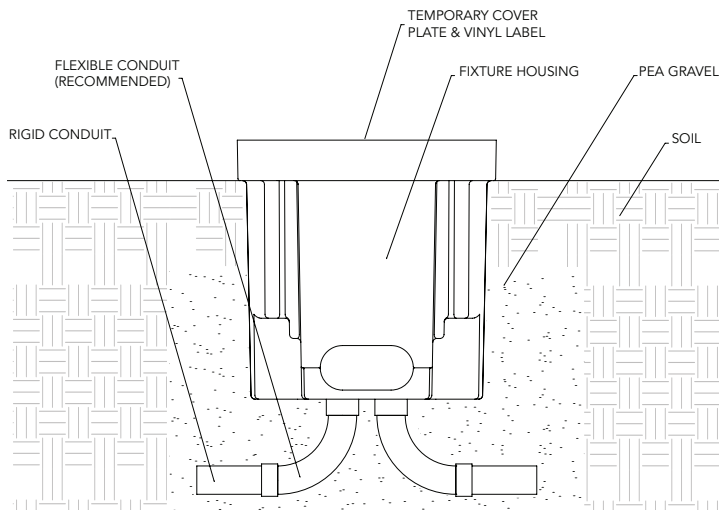


Figure 1

CONCRETE POUR INSTALLATION:

IMPORTANT NOTE: Temporary cover plate and vinyl label must remain in place during housing installation.

PRECAUTION: Drainage must be provided during installation. It is recommended the luminaire be surrounded by 3" to 4" of pea gravel along sides and minimum of 6" of pea gravel at bottom beneath luminaire housing. Top of luminaire must be FLUSH with finish grade.

1. To prevent electrical shock, turn main power off at circuit breaker.
2. Dig hole approximately 16" in dia. to depth suitable to make top of temporary cover plate FLUSH with finish grade (see fig. 2). Pea gravel required for seating luminaire housing and providing drainage.
3. Connect conduit to housing. UL listed flexible conduit recommended for in and out connections to ease fixture positioning.
4. Plug unused NPT holes with closure plugs (provided).
5. Position fixture within hole and back fill with pea gravel. Only uppermost layer, 6" maximum, should be concrete pour.
6. To keep housing from floating during concrete pour, Rebar Mount Bracket (RMB) accessory should be used to affix housing to wire/rebar grid using standard masonry methods (see fig 2).
7. To pull supply conductor wiring, first remove and retain temporary cover plate and plate screws by piercing through label at screw locations to access screws.
8. Remove and retain junction box cover and cover screws.
9. Pull electrical supply wires (line in) through conduit and junction box. For through branch wiring, pull wires upward making a 6" loop above top rim of junction box.
10. Stuff the wire loop back into junction box and reinstall junction box cover using cover screws.
11. Reinstall temporary cover plate with vinyl label using cover screws.
12. Pour concrete at least 3" thick. Trowel concrete so it is even with vinyl label. Allow concrete to cure.

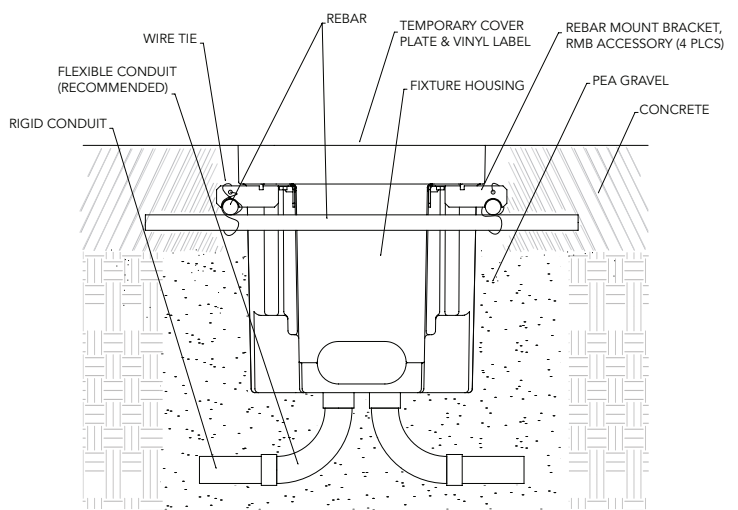


Figure 2

Vista Professional Outdoor Lighting reserves the right to modify the design and/or construction of the fixture shown without further notification.

COB LED MODULE AND J-BOX COVER INSTALLATION:

1. To prevent electrical shock, turn main power off at the circuit breaker.
2. Remove temporary cover plate with vinyl label. Recycle or discard cover plate.
3. If a Stainless Steel Trim Ring (STR) is to be used, follow the supplementary instructions supplies with the STR accessory.
4. Remove and retain Junction Box Cover and Cover Screws.
5. Route the free end of the COB LED Module Load Conductor Cable through the top side of J-Box Cord Seal and out the back side of the J-Box Cover.
6. Using the appropriate size open end wrench or crescent wrench, firmly tighten the top nut of the J-Box Cord Seal such that the outer jacket of the COB LED Module Load Conductor Cable extends past the back side of the J-Box Cover a distance of 1" to 2". Set the COB LED Module with the attached J-Box Cover aside.
7. Pull the Supply Conductor wire loop out of the J-Box, cut at center and strip the leads.
8. Using the Silicone Filled Wire Nits (provided), connect the Supply Conductors in the Junction-Box to the Load Conductors of the COB LED Module noting the following polarity:

Supply (+) to Load (Black)
Supply (-) to Load (White)
Supply (Ground) to Load (Green)

If 0-10V dimming is used:
Dimming Supply (+) to Dimming Load (Red)
Dimming Supply (-) to Dimming Load (Orange)

INSTRUCTIONS FOR SEALING WIRING COMPARTMENT:

- NOTE:** Failure to properly wire and encapsulate wiring compartment will void product warranty.
9. After properly wiring the Supply and Load Conductors, position the Silicone Filled Wire Nuts to the bottom of the Junction-Box.
 10. Use Mastic (provided), to seal the conduit entries from inside the wiring compartment to ensure that the sealant (see below) does not flow down into the conduit.
 11. Remove Sealant Pouch (provide) from protective cover. Grasp both sides of the sealant pouch and pull until there is no barrier between both solutions in the pouch.
 12. Mix the sealant by alternately squeezing each end of the sealant pouch, moving the sealant back and forth until the solutions are completely mixed together.
 13. Cut off the corner of the sealant pouch and immediately pour the mixture into the wiring compartment completely covering the Silicone Filled Wire Nuts (see fig. 3). Allow sealant to dry for approximately 20 minutes.
 14. Re-Install the Junction Box Cover.
 15. Route the COB LED Module Load Conductor Cable into the bottom portion of Rough-In-Section Housing and seat the COB LED Module into the Rough-In-Section Housing aligning the Captive Module Screws of the COB LED Module with the mating fasteners in the Rough-In-Section Housing.
 16. Using the appropriate Allen wrench (provided), snug the two (2) Captive Module Screws (do not over-tighten).
 17. Supply power to the luminaire and check for proper operation.

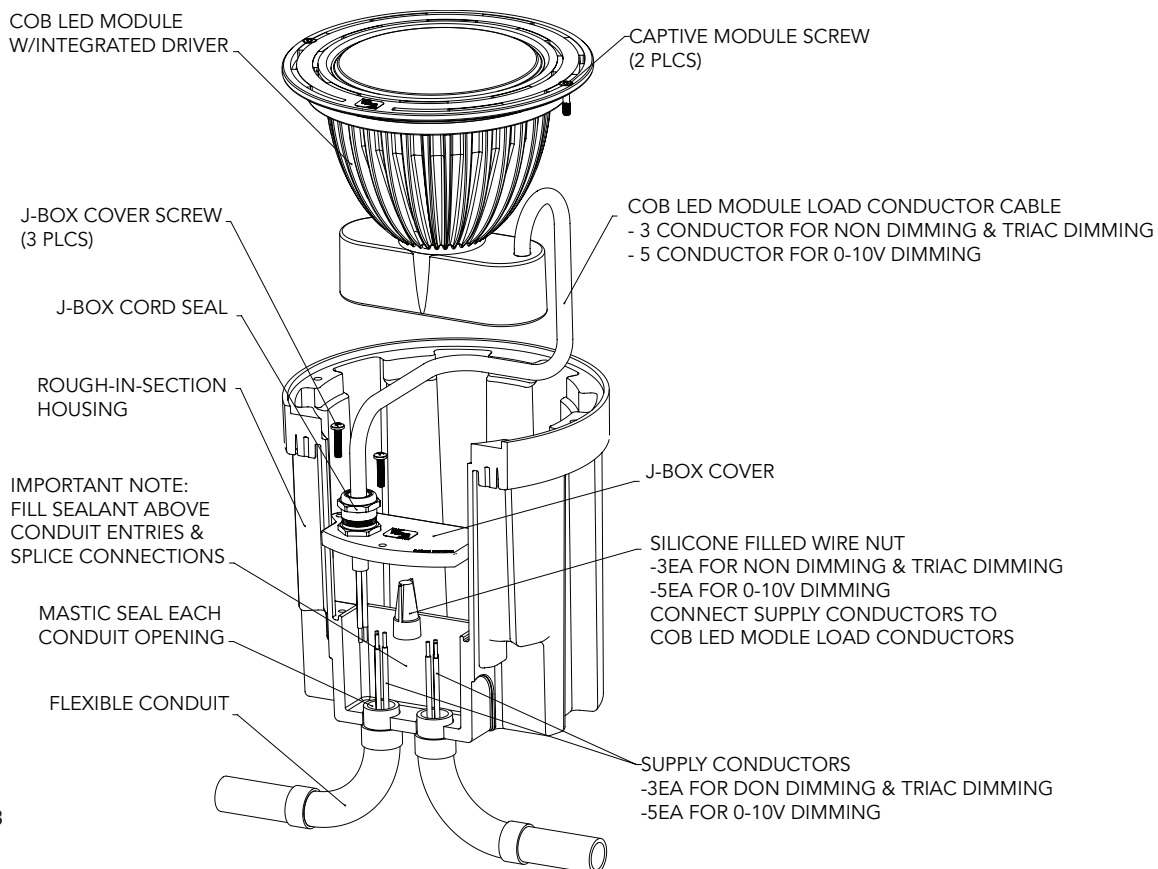


Figure 3

Vista Professional Outdoor Lighting reserves the right to modify the design and/or construction of the fixture shown without further notification.