



INSTALLATION INSTRUCTIONS

IMPORTANT NOTE:

- Luminaire must be installed and grounded in accordance with the National Electrical Code (NEC) and local codes.
- Luminaire is UL listed for above grade installation only.
- Always use UL recognized wire connectors for connections.

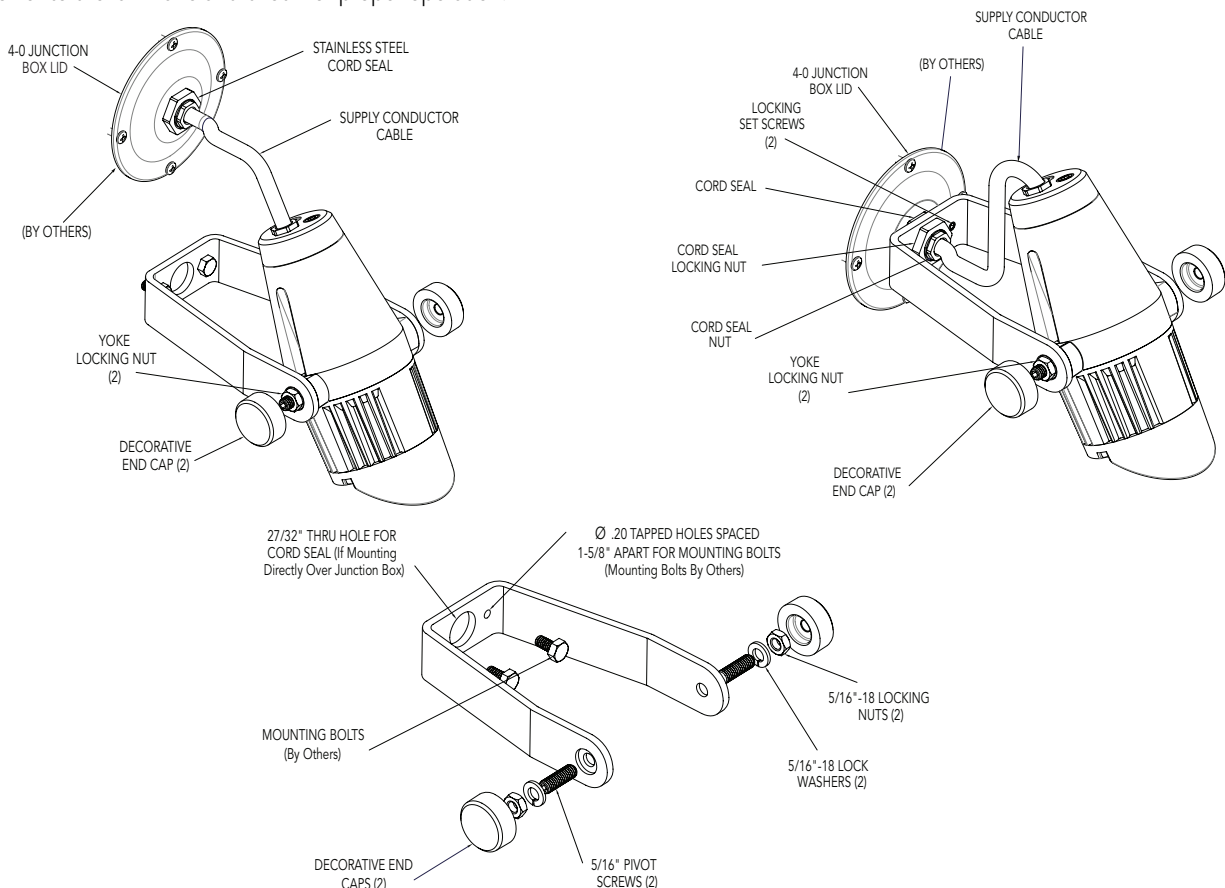
MAINTENANCE: To assure proper operation and efficiency, lens must be kept clean and free of dirt, dust, leaves, trash and mineral deposits from water. A regular scheduled maintenance program is recommended.

SAFETY WARNING: Luminaire can become hot. Take care when locating luminaires.

NOTE: Save these instructions for future reference.

DIRECT LUMINAIRE MOUNTING TO STRUCTURAL SURFACE; WALL, OR CEILING:

1. Make sure electrical supply is off at circuit breaker before starting luminaire installation or servicing luminaire.
2. Mount the fixture onto the desired structural surface (by others) using appropriate anchors/fasteners (remote mount-by others). Two (2) 1/4"-20 tapped holes spaced 1-5/8" apart on the yoke strap may be used as clearance holes for fasteners (by others). These holes may also be drilled out (by others) if larger fasteners (by others) are desired.
3. Route supply conductor cable through cord seal nut, nylon washer, grommet and cord seal locking nut.
4. Install and tighten stainless steel cord seal into hub of electrical service cover.
5. Route luminaire supply conductor cable through stainless steel cord seal.
6. Connect conduit supply conductors (by others) to the luminaire supply conductor cable observing polarity, line to black, neutral to white, and ground to green.
7. Adjust the amount of supply conductor cable required for fixture aiming by pushing cable into or pulling cable out from the J-Box. When the correct length of cable is achieved, position the grommet & nylon washer into the stainless steel cord seal body, then firmly tighten the cord seal nut. (For mountings directly over 4-0 box, the supply conductor cable is routed through the yoke through hole. Tighten the cord seal locking nut to secure the yoke to the electrical service cover).
8. Install electrical service cover onto electrical box.
9. To adjust luminaire aiming angle, first remove the decorative end caps. Using custom wrench supplied, loosen the stainless steel locking nuts (do not completely remove). Adjust the aim of the fixture and firmly re-tighten the locking nuts. Replace the decorative end caps.
10. Supply power to the luminaire and check for proper operation.



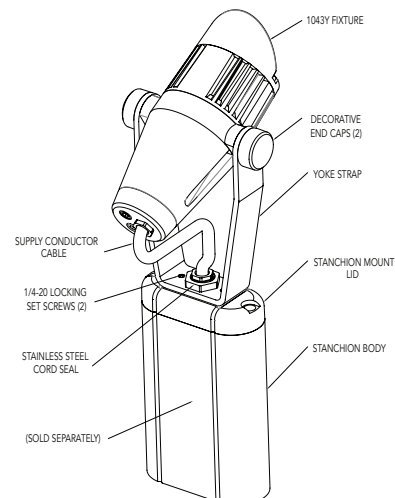
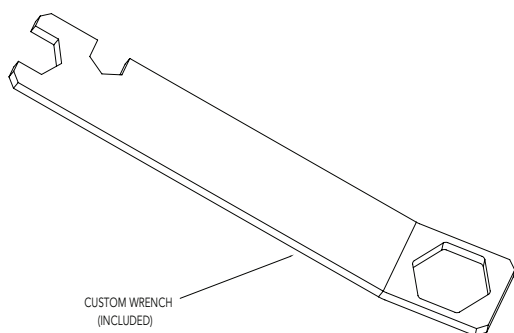
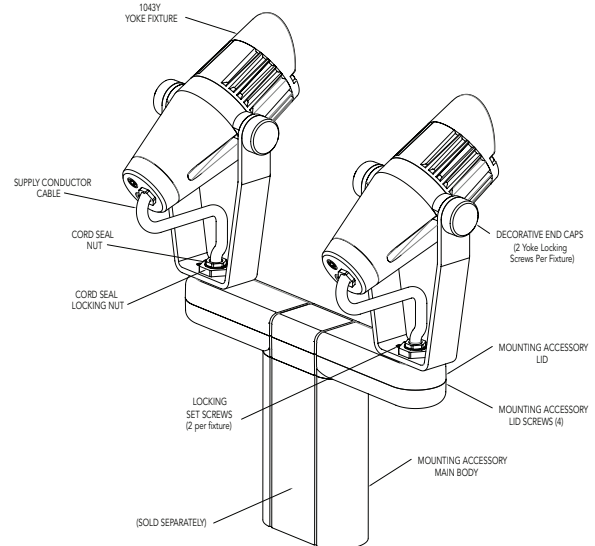
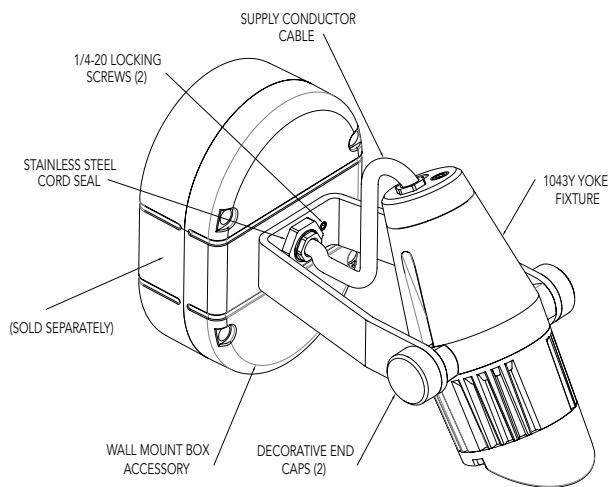
Vista Professional Outdoor Lighting reserves the right to modify the design and/or construction of the fixture shown without further notification.



INSTALLATION INSTRUCTIONS

LUMINAIRE MOUNTING ONTO VISTA PRO MOUNTING ACCESSORY; STANCHION MOUNT (STM-S, STM-D), or WALL MOUNT BOX (WMB) (SOLD SEPARATELY):

1. Make sure electrical supply is off at circuit breaker before starting luminaire installation or servicing luminaire.
2. Reference and follow the **INSTALLATION INSTRUCTIONS** for your specific mounting accessory; **STM-X, or WMB**.
3. Remove the mounting accessory lid by loosening the lid screws.
4. Using thread sealant (by others), thread corrosion resistant cord seal (provided) through the 27/32" center hole in the yoke strap onto the mounting accessory lid.
5. Using custom wrench supplied or large Crescent wrench, firmly tighten the stainless cord seal into the accessory lid.
6. Route supply conductor cable through cord seal nut, nylon washer, grommet and cord seal locking nut.
7. Route luminaire supply conductor cable through corrosion resistant cord seal.
8. Attach conduit supply conductors (by others) to the luminaire supply conductor cable observing polarity, line to black, neutral to white, and ground to green.
9. Stuff any protruding cable into the accessory housing ensuring that the cable won't get pinched by the mounting accessory lid seal.
10. Affix the luminaire/mounting accessory lid onto the main body of the mounting accessory.
11. Using the appropriate tool, firmly tighten all mounting accessory lid screws.
12. Adjust the amount of supply conductor cable required for fixture aiming by pushing cable into or pulling cable out from the corrosion resistant cord seal. When the correct length of cable is achieved, firmly tighten the cord seal nut. Tighten the cord seal locking nut to secure the yoke to the mounting accessory.
13. To adjust luminaire aiming angle, first remove the decorative end caps. Using a custom wrench supplied, loosen the stainless steel locking nuts (do not completely remove). Adjust the aim of the fixture and firmly re-tighten the locking nuts. Replace the decorative end caps.
14. To lock fixture rotation about the corrosion resistant cord seal, tighten the 1/4"-20 set screws (provided) in the yoke strap snugly into the accessory mounting lid.
15. Supply power to the luminaire and check for proper operation.



Vista Professional Outdoor Lighting reserves the right to modify the design and/or construction of the fixture shown without further notification.