



PROFESSIONAL  
OUTDOOR LIGHTING

Type:

Model:

Project:

## SPECIFICATION SHEET

### MODEL QTM-200 Landscape • Accessories • Tenon Mount

#### SPECIFICATIONS:

##### DESCRIPTION:

Quad post mount tenon bracket slip-fits directly over tenons on Vista's stacion mounts, post mounts, wall-mounted brackets, and standard 2" pipe. Secured with two 1/4" #20 Allen screws (included).

##### CONSTRUCTION:

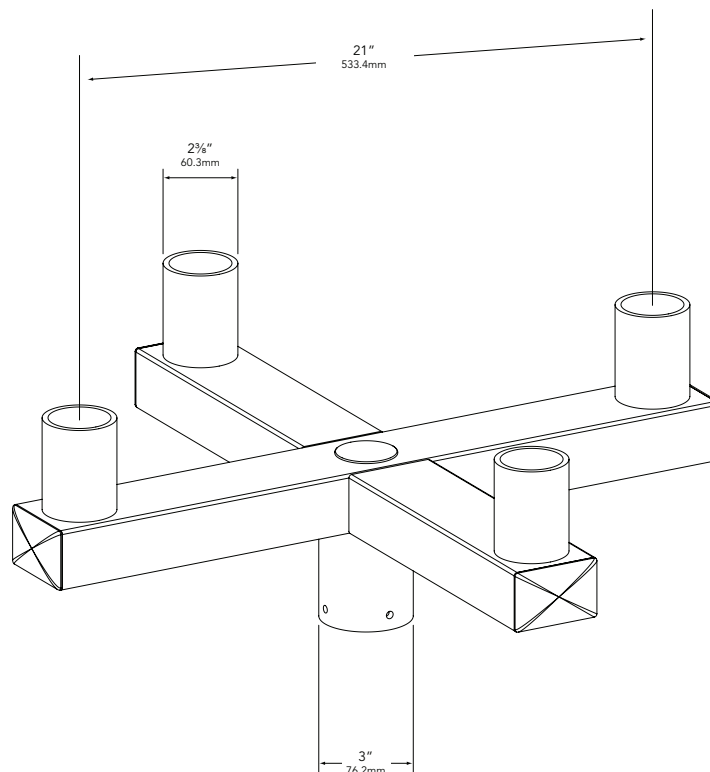
Die-cast, copper-free, heavy-gauge aluminum.

##### FINISH:

Polyester powder-coat finish available in Black, Verde, Architectural Brick, Architectural Bronze, Light Bronze, Dark Bronze, Granite, Pewter, Terracotta, Rust, Hunter Green, Mocha, Weathered Bronze, Weathered Iron, White and Special Bronze.

All Vista accessories are **MADE IN THE U.S.A.**

#### DIMENSIONS:



Vista Professional Outdoor Lighting reserves the right to modify the design and/or construction of the fixture shown without further notification.



**PROFESSIONAL  
OUTDOOR LIGHTING**

# SPECIFICATION SHEET

---

## MODEL QTM-200 Landscape • Accessories • Tenon Mount

### ORDERING INFORMATION

TO ORDER FIXTURE: Select appropriate choice from each column as in the following example.

**EXAMPLE: QTM-200-B**

MODEL	FINISH
QTM-200	B - Black G - Verde BR - Architectural Brick Z - Architectural Bronze LZ - Light Bronze DZ - Dark Bronze GT - Granite P - Pewter TC - Terracotta R - Rust HG - Hunter Green M - Mocha WB - Weathered Bronze WI - Weathered Iron W - White SB - Special Bronze

*Vista Professional Outdoor Lighting reserves the right to modify the design and/or construction of the fixture shown without further notification.*