



PROFESSIONAL
OUTDOOR LIGHTING

Type:

Model:

Project:

SPECIFICATION SHEET

MODEL MCS-150 Accessories • 12-Volt Mounting Canopy with Adjustable Strap

SPECIFICATIONS:

CONSTRUCTION:

Die-cast, copper-free aluminum.

FINISH:

Polyester powder-coat finish available in Black, Verde, Architectural Brick, Architectural Bronze, Light Bronze, Dark Bronze, Granite, Pewter, Terracotta, Rust, Hunter Green, Mocha, Weathered Bronze, Weathered Iron, White and Special Bronze.

MOUNTING:

1/2" FPT for fixture mounting.

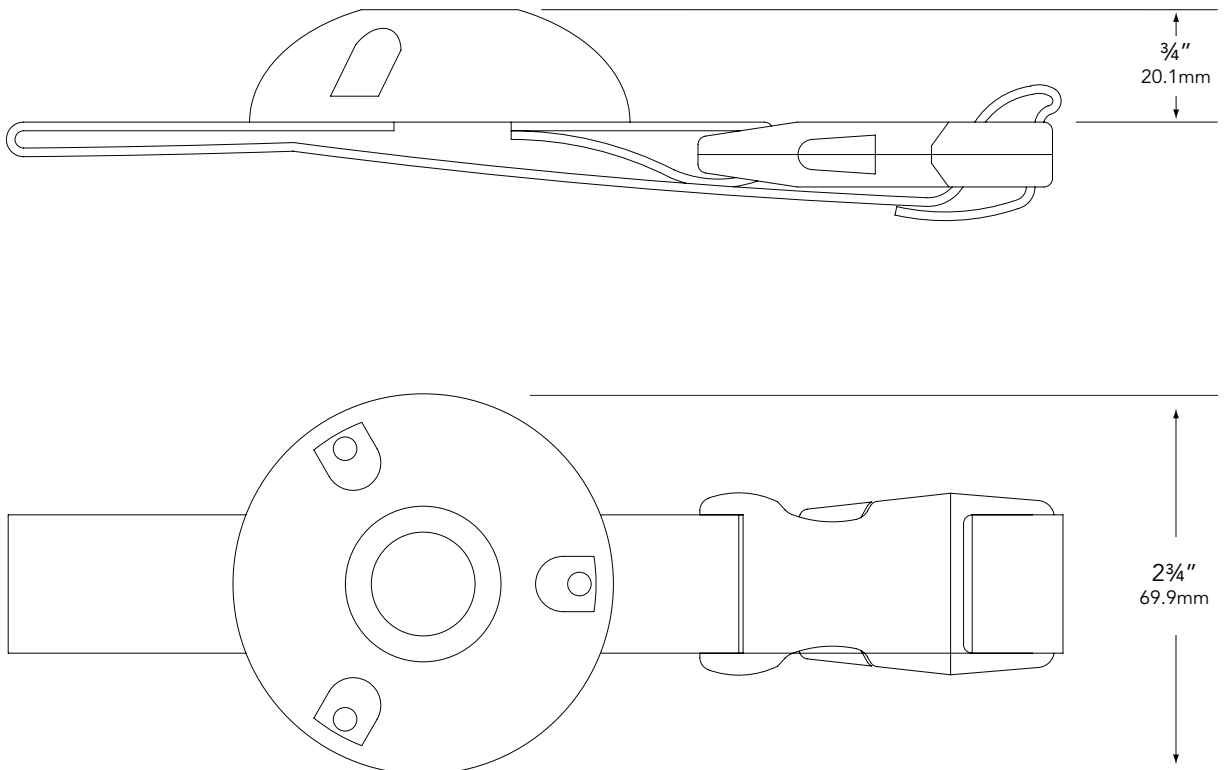
STRAPS:

UV-stable quick locking adjustable strap.

Available in 12", 24", 36", and 48" lengths.

All Vista accessories are **MADE IN THE U.S.A.**

DIMENSIONS:



Vista Professional Outdoor Lighting reserves the right to modify the design and/or construction of the fixture shown without further notification.



SPECIFICATION SHEET

MODEL MCS-150 Accessories • 12-Volt Mounting Canopy with Adjustable Strap

ORDERING INFORMATION

TO ORDER FIXTURE: Select appropriate choice from each column as in the following example.

EXAMPLE: MCS-150-B

MODEL	FINISH
MCS-150	B - Black G - Verde BR - Architectural Brick Z - Architectural Bronze LZ - Light Bronze DZ - Dark Bronze GT - Granite P - Pewter TC - Terracotta R - Rust HG - Hunter Green M - Mocha WB - Weathered Bronze WI - Weathered Iron W - White SB - Special Bronze

Vista Professional Outdoor Lighting reserves the right to modify the design and/or construction of the fixture shown without further notification.