



**PROFESSIONAL
OUTDOOR LIGHTING**

SPECIFICATION SHEET

Type:

Model:

Project:

MODEL FT-1501 Architectural Series • Accessories

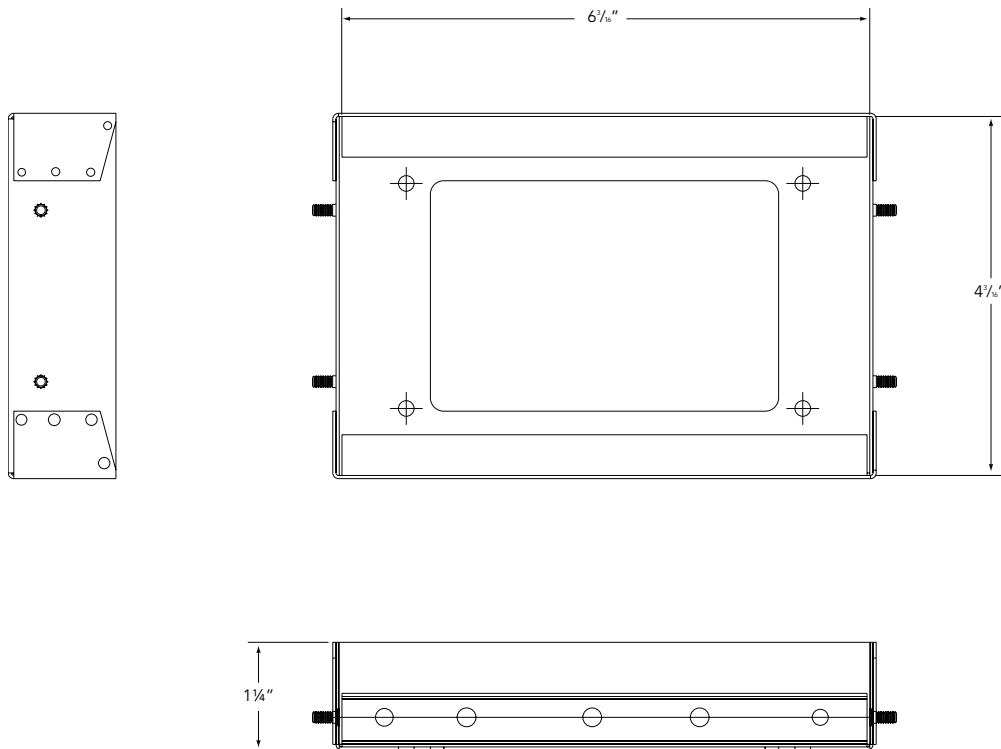
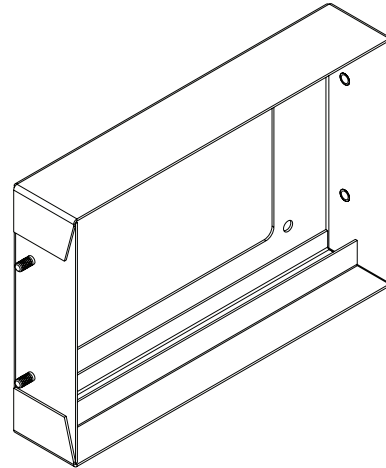
ACCESSORY SPECIFICATIONS:

The 1501 Series flush tray accessory is specifically designed for flush mounting of the Glass Border models only for 1501 and 1502. This accessory is mounted directly onto the RiB housing and installed with the RiB housing.

Constructed of stainless steel sheet, this accessory is powder coated black. The accessory can be used in poured concrete or block construction, as well as drywall IC and non-IC walls. The flush tray can be adjusted for 1/2" thick or 5/8" thick finished wall surfaces.

The accessory is provided with drywall mounting flanges (2) for direct nailing into framing, or concrete pour plates and mounting hardware.

All Vista accessories are [MADE IN THE U.S.A.](#)



Vista Professional Outdoor Lighting reserves the right to modify the design and/or construction of the fixture shown without further notification.