



**PROFESSIONAL
OUTDOOR LIGHTING**

Type:

Model:

Project:

SPECIFICATION SHEET

MODEL 9211 Landscape Series • Path & Spread Lights

FIXTURE SPECIFICATIONS:

HOUSING:

Die-cast, copper-free aluminum.

STEM:

½" schedule-40 aluminum pipe with ½" NPT.

FINISH:

Polyester powder-coat finish available in Black, Verde, Architectural Brick, Architectural Bronze, Light Bronze, Dark Bronze, Granite, Pewter, Terracotta, Rust, Hunter Green, Mocha, Weathered Bronze, Weathered Iron, and White.

SOCKET/LAMP HOLDER:

Top grade ceramic socket with nickel contacts, stainless steel springs, and Teflon-jacketed wire leads.

LENS:

Clear, high-impact, polycarbonate lens.

LAMP TYPE:

T3 – 20W max. LN-10 T3 Halogen (10W) Standard.

MOUNTING:

Bottom of stem threaded with ½" NPT. Fixture may be mounted into threaded hubs in junction boxes, ground stakes, or floor-mounting canopies. Please see fixture ordering information for mounting selection.

FASTENERS:

All fasteners are stainless steel.

WIRING:

Prewired with a three-foot pigtail of 18-2 direct-burial cable and underground connectors for a secure connection to supply cable.

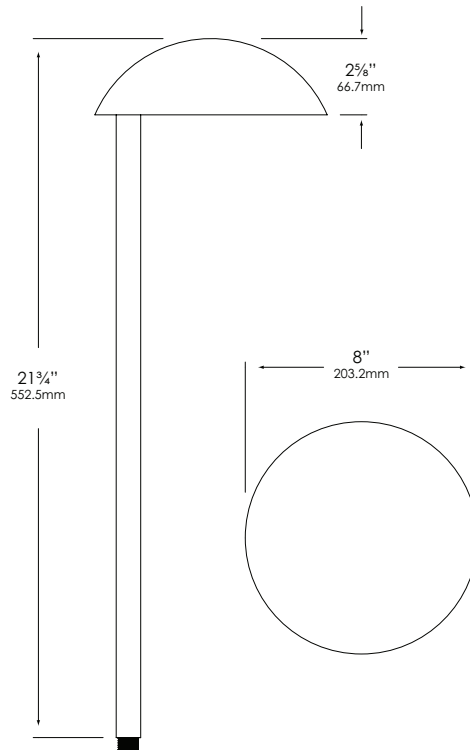
CERTIFICATION:

UL Listed to U.S. and Canadian safety standards for low voltage landscape luminaires (UL 1838). Maximum wattages allowed by Underwriters Laboratories (UL) for U.S. and Canadian markets may vary. Maximum wattages specified are Underwriters Laboratories U.S. standard. Please contact Vista for any questions about maximum wattages allowed by UL Canadian standards.

All Vista luminaires are **MADE IN U.S.A.**

This fixture is also available as a LED luminaire. Please refer to LED Specification Sheet - 9211-LED.

DIMENSIONS:



Vista Professional Outdoor Lighting reserves the right to modify the design and/or construction of the fixture shown without further notification.



SPECIFICATION SHEET

MODEL 9211 Landscape Series • Path & Spread Lights

FIXTURE ORDERING INFORMATION

TO ORDER FIXTURE: Select appropriate choice from each column as in the following example.

EXAMPLE: PR-9211-B-10T3

MOUNTING	MODEL	FINISH	LAMP
PR - ABS ground stake	9211	B - Black G - Verde BR - Architectural Brick Z - Architectural Bronze LZ - Light Bronze DZ - Dark Bronze GT - Granite P - Pewter TC - Terracotta R - Rust HG - Hunter Green M - Mocha WB - Weathered Bronze WI - Weathered Iron W - White	10T3 - 10W T3 Halogen 20W Maximum LN-10 T3 Halogen (10W) Standard <i>(Please see lamp order code column on lamp guide, Vista product catalog.)</i>

Fixtures shipped with standard lamp, unless otherwise specified.
Fixtures shipped with specified mounting hardware.