

## SPECIFICATION SHEET

# MODEL: 5261 - 12V Series: In-Ground & Well Lights

### FIXTURE SPECIFICATIONS:

**HOUSING:**

Die-cast, copper-free aluminum with a silicone O-ring gasket – providing a superior weather-tight seal.

**FINISH:**

Polyester powder-coat finish available in Black, Verde, Architectural Brick, Architectural Bronze, Light Bronze, Dark Bronze, Granite, Pewter, Terra-cotta, Rust, Hunter Green, Mocha, Weathered Bronze, Weathered Iron, and White.

**SOCKET/LAMP HOLDER:** *(Halogen only)*

Top grade ceramic socket with nickel contacts, stainless steel springs, and Teflon-jacketed wire leads.

**LENS:**

Clear, convex, tempered, shock & heat-resistant, soda-lime glass lens. Optical effect lenses are available; see accessories column on fixture ordering information chart.

**LAMP/LED TYPE:**

MR-16 Halogen – 50W maximum. LN-20 BAB/FG (20W) Standard.

LED - Group F.

**OPTICS/AIMING:** *(Halogen only)*

Adjustable lamp bracket provides up to 25° of tilt as well as 360° rotation of housing for precise beam control. Lamp bracket can be locked into place to prevent disrupting lamp position when

relamping. Models with housing brackets within ABS wells provide up to 45° of tilt in addition to lamp bracket.

**MOUNTING:**

In-grade. Mounting accessories not required.

**FASTENERS:**

All fasteners are stainless steel.

**WIRING:**

Prewired with a three-foot pigtail of 18-2 direct-burial cable and underground connectors for a secure connection to supply cable.

**CERTIFICATION:** *(Halogen only)*

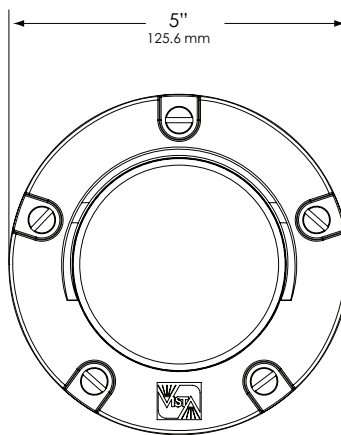
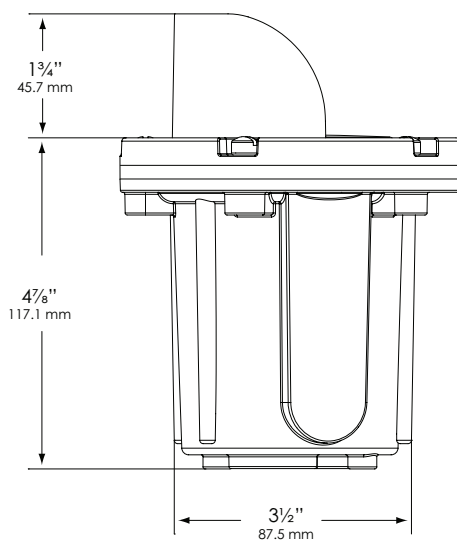
UL Listed to U.S. and Canadian safety standards for low voltage landscape luminaires (UL 1838). Maximum wattages allowed by Underwriters Laboratories (UL) for U.S. and Canadian markets may vary. Maximum wattages specified are Underwriters Laboratories U.S. standard. Please contact Vista for any questions about maximum wattages allowed by UL Canadian standards.

LED: Pending

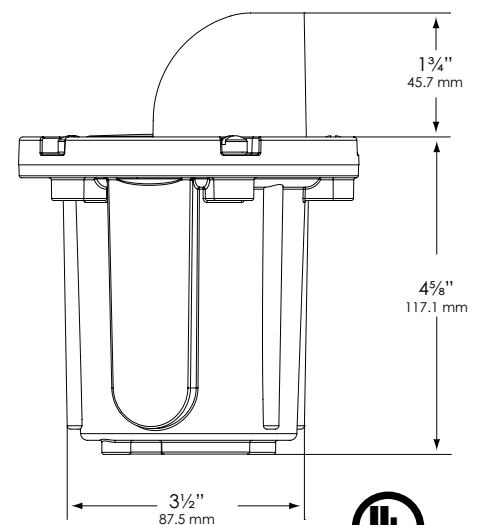
All Vista luminaires are **MADE IN U.S.A.**

### DIMENSIONS:

#### LED



#### Halogen



Vista Professional Outdoor Lighting reserves the right to modify the design and/or construction of the fixture shown without further notification.

## SPECIFICATION SHEET

# MODEL: 5261 - 12V Series: In-Ground & Well Lights

## LED MODULE SPECIFICATIONS (if applicable) :

### EMITTER TYPE:

High Output LED with Vista exclusive smart-driver, powered to operate for 50,000 hours.

### OPTICS:

Integral high-efficiency optics available in spot through flood beam spreads.

### ELECTRICAL:

Input voltage range 10.5–15V AC, regulated to achieve uniform illumination throughout the cable run of fixtures. Integral surge & reverse polarity protection.

## FIXTURE ORDERING INFORMATION

**TO ORDER FIXTURE:** Select appropriate choice from each column as in the following example

**EXAMPLE:** GW-5261-B-BAB-HL

MOUNTING	MODEL	FINISH	LAMP/LED	ACCESSORIES
<b>GW-</b> In-grade	<b>5261</b>	<b>B-</b> Black <b>G-</b> Verde <b>BR-</b> Architectural Brick <b>Z-</b> Architectural Bronze <b>LZ-</b> Light Bronze <b>DZ-</b> Dark Bronze <b>GT-</b> Granite <b>P-</b> Pewter <b>TC-</b> Terra-cotta <b>R-</b> Rust <b>HG-</b> Hunter Green <b>M-</b> Mocha <b>WB-</b> Weathered Bronze <b>WI-</b> Weathered Iron <b>W-</b> White	MR-16 Halogen 50W maximum LN-20 BAB/FG (20W) Standard  LED - Group F Emitter Qty - 3, 6, or 9 Distribution - Spot (SP), Flood (FL) or Wide Flood (WF) Operating voltage range - 10.5 to 15V.  <i>(Please see lamp order code column on lamp guide, Vista product catalog.)</i>	<b>BL-</b> Flat Cool Blue lens <b>SL-</b> Flat Spread lens <b>FR-</b> Flat Frosted lens <b>DBL-</b> Flat Dark Blue lens <b>GL-</b> Flat Dark Green lens <b>RL-</b> Flat Red lens <b>YL-</b> Flat Amber lens <b>HL-</b> Honeycomb louver

Fixtures shipped with standard lamp, unless otherwise specified.