



**PROFESSIONAL  
OUTDOOR LIGHTING**

Type:

Model:

Project:

# SPECIFICATION SHEET

## MODEL 5252 Landscape Series • In-Ground & Well Lights

### FIXTURE SPECIFICATIONS:

**HOUSING:**

Die-cast, copper-free aluminum fixture with a silicone O-ring gasket, suspended inside a 6" black ABS well.

**FINISH:**

Polyester powder-coat finish available in Black, Verde, Architectural Brick, Architectural Bronze, Light Bronze, Dark Bronze, Granite, Pewter, Terracotta, Rust, Hunter Green, Mocha, Weathered Bronze, Weathered Iron, and White.

**SOCKET/LAMP HOLDER:**

Top grade ceramic socket with nickel contacts, stainless steel springs, and Teflon-jacketed wire leads.

**LENS:**

Clear, tempered, shock and heat-resistant, soda-lime glass lens. Optical effect lenses are available; see accessories column on fixture ordering information chart.

**LAMP TYPE:**

MR-16 Halogen – 50W maximum. LN-20 BAB/FG (20W) Standard.

**OPTICS/AIMING:**

Adjustable lamp bracket provides up to ±25° of tilt as well as 360° rotation of housing for precise beam control. Lamp bracket can be

locked into place to prevent disrupting lamp position when relamping. Housing bracket within ABS well provides up to ±45° of tilt in addition to lamp bracket.

**MOUNTING:**

In-grade. Mounting accessories not required.

**FASTENERS:**

All fasteners are stainless steel.

**WIRING:**

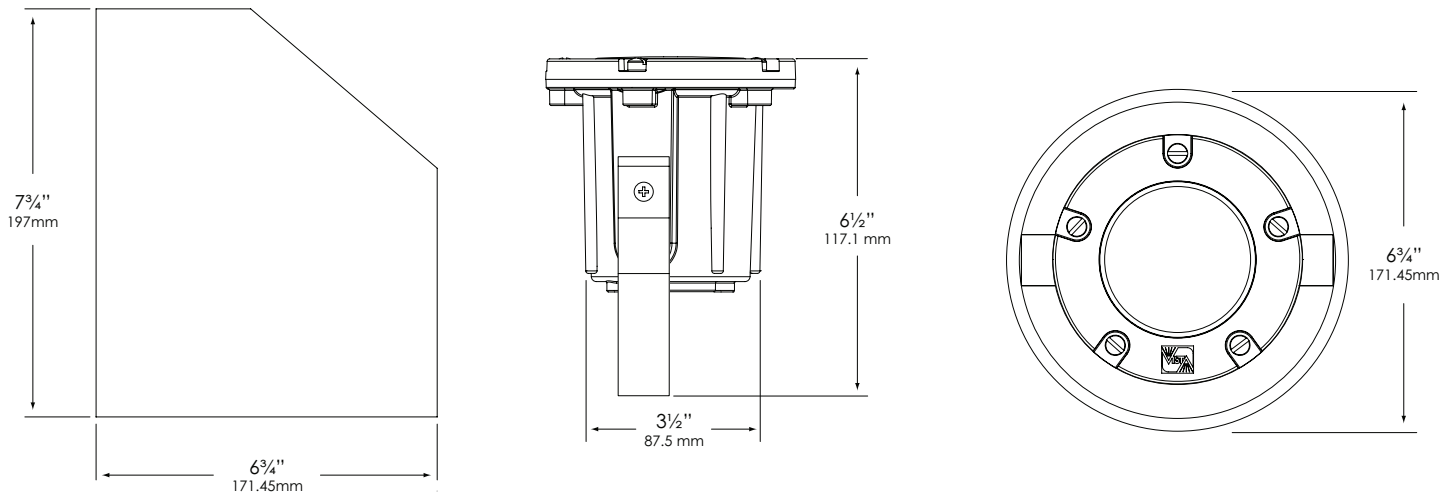
Prewired with a three-foot pigtail of 18-2 direct-burial cable and underground connectors for a secure connection to supply cable.

**CERTIFICATION:**

UL Listed to U.S. and Canadian safety standards for low voltage landscape luminaires (UL 1838). Maximum wattages allowed by Underwriters Laboratories (UL) for U.S. and Canadian markets may vary. Maximum wattages specified are Underwriters Laboratories U.S. standard. Please contact Vista for any questions about maximum wattages allowed by UL Canadian standards.

All Vista luminaires are **MADE IN U.S.A.**

### DIMENSIONS:



Vista Professional Outdoor Lighting reserves the right to modify the design and/or construction of the fixture shown without further notification.



## SPECIFICATION SHEET

### MODEL 5252 Landscape Series • In-Ground & Well Lights

#### FIXTURE ORDERING INFORMATION

TO ORDER FIXTURE: Select appropriate choice from each column as in the following example.

**EXAMPLE: GW-5252-B-BAB/FG-SL**

MOUNTING	MODEL	FINISH	LAMP	ACCESSORIES
GW - In-grade	5252	B- Black G- Verde BR- Architectural Brick Z- Architectural Bronze LZ - Light Bronze DZ - Dark Bronze GT- Granite P- Pewter TC- Terracotta R- Rust HG- Hunter Green M- Mocha WB- Weathered Bronze WI- Weathered Iron W- White	BAB/FG - 20W  MR-16 Halogen 50W maximum LN-20 BAB/FG (20W) Standard  <i>(Please see lamp order code column on lamp guide, Vista product catalog.)</i>	BL- Flat Cool Blue lens SL- Flat Spread lens FR- Flat Frosted lens DBL- Flat Dark Blue lens GL- Flat Dark Green lens RL- Flat Red lens YL- Flat Amber lens DL- Directional Grate cover BD- Bidirectional grate cover HL- Honeycomb louver

Fixtures shipped with standard lamp, unless otherwise specified.