



**PROFESSIONAL
OUTDOOR LIGHTING**

Type: _____

Model: _____

Project: _____

SPECIFICATION SHEET

MODEL 5231 Landscape Series • Step & Brick Lights

FIXTURE SPECIFICATIONS:

HOUSING:

Die-cast, copper-free aluminum. Cover plate is fitted to recessed box with a silicone o-ring gasket – providing a superior weather-tight seal.

FINISH:

Durable powder coat finish available in Black, Architectural Bronze, Dark Bronze, Granite, White, Architectural Brick, Light Bronze, Special Bronze, Glossy Gray, Rust, Hunter Green, Weathered Bronze, Weathered Iron, Graphite Metallic, Verde, Pewter, Mocha and Olde Finish. Custom Powder coat finishes available on request.

SOCKET/LAMP HOLDER:

Top grade ceramic socket with nickel contacts, stainless steel springs, & Teflon-jacketed wire leads.

LENS:

Frosted, tempered, shock & heat-resistant, soda lime glass lens.

LAMP TYPE:

MR16 – 35W maximum. LN-20 BAB/FG (20W) Standard.

MOUNTING:

Recessed mounting box has two 1/2" NPT inlets.

FASTENERS/INSERTS:

All fasteners are stainless steel with brass inserts.

WIRING:

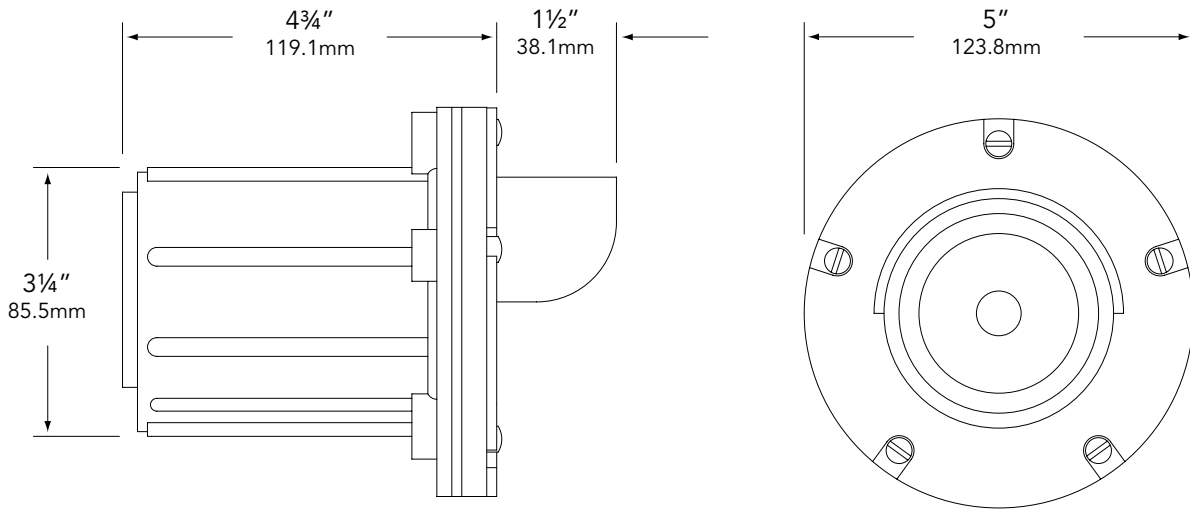
Provided with a three-foot pigtail of 18-2 direct-burial cable & underground connectors for a secure connection to the supply cable.

CERTIFICATION:

UL Listed to U.S. & Canadian safety standards for low voltage landscape luminaires (UL 1838). The maximum wattages allowed by Underwriters Laboratories (UL) for the U.S. & Canadian markets may vary. Maximum wattages specified are Underwriters Laboratories U.S. standard. Please contact Vista for any questions about the maximum wattages allowed by UL Canadian standards.

All Vista luminaires are [MADE IN THE U.S.A.](#)

DIMENSIONS:



Vista Professional Outdoor Lighting reserves the right to modify the design and/or construction of the fixture shown without further notification.



SPECIFICATION SHEET

MODEL 5231 Landscape Series • Step & Brick Lights

FIXTURE ORDERING INFORMATION

TO ORDER FIXTURE: Select appropriate choice from each column as in the following example.

EXAMPLE: SL-5231-B-BAB-BL

MOUNTING	MODEL	FINISH	LAMP	ACCESSORIES
SL- Step light	5231	Standard	BAB - 20W	BL- Flat Cool Blue lens SL- Flat Spread lens DBL- Flat Dark Blue lens GL- Flat Dark Green lens RL- Flat Red lens YL- Flat Amber lens HL- Honeycomb louver
		B - Black B - Architectural Bronze DZ - Dark Bronze GT - Granite W - White	LN-20 BAB Standard Halogen	
		4.5-W-36 - 4.5W LN16-4.5-W-A-36-LED Standard LED		
		Premium		
		BR - Architectural Brick LZ - Light Bronze SB - Special Bronze GG - Glossy Gray R - Rust HG - Hunter Green WB - Weathered Bronze WI - Weathered Iron GM - Graphite Metallic	(Please see lamp order code column in lamp guide of Vista product catalog)	
		Hand Finished		
		G - Verde P - Pewter M - Mocha OF - Olde Finish		

Fixtures shipped with standard lamp, unless otherwise specified.