



**PROFESSIONAL  
OUTDOOR LIGHTING**

Type: \_\_\_\_\_

Model: \_\_\_\_\_

Project: \_\_\_\_\_

# SPECIFICATION SHEET

## MODEL 5223 Landscape Series • Step & Brick Lights

### FIXTURE SPECIFICATIONS:

**HOUSING:**

Injection-molded, glass-reinforced Ryton® R-4 composite for strength & high UV stability – warranted for ten years against corrosion. The cover plate is fitted to the recessed box with a silicone o-ring gasket – providing a superior weather-tight seal.

**FINISH:**

Durable powder coat finish available in Black, Dark Bronze, Granite, White, Architectural Brick, Light Bronze, Special Bronze, Glossy Gray, Rust, Hunter Green, Weathered Bronze, Weathered Iron, Graphite Metallic, Verde, Pewter, Mocha and Olde Finish. Custom Powder coat finishes available on request.

**SOCKET/LAMP HOLDER:**

Top grade ceramic socket with nickel contacts, stainless steel springs, & Teflon-jacketed wire leads.

**LENS:**

Frosted, tempered, shock & heat-resistant, soda lime glass lens.

**LAMP TYPE:**

MR-16 Halogen – 35W maximum. LN-20 BAB (20W) Standard.

**MOUNTING:**

Recessed mounting box has two 1/2" NPT inlets. Optional concrete mounting kit available, please see accessories column on fixture ordering information.

**FASTENERS/INSERTS:**

All fasteners are stainless steel with brass inserts.

**WIRING:**

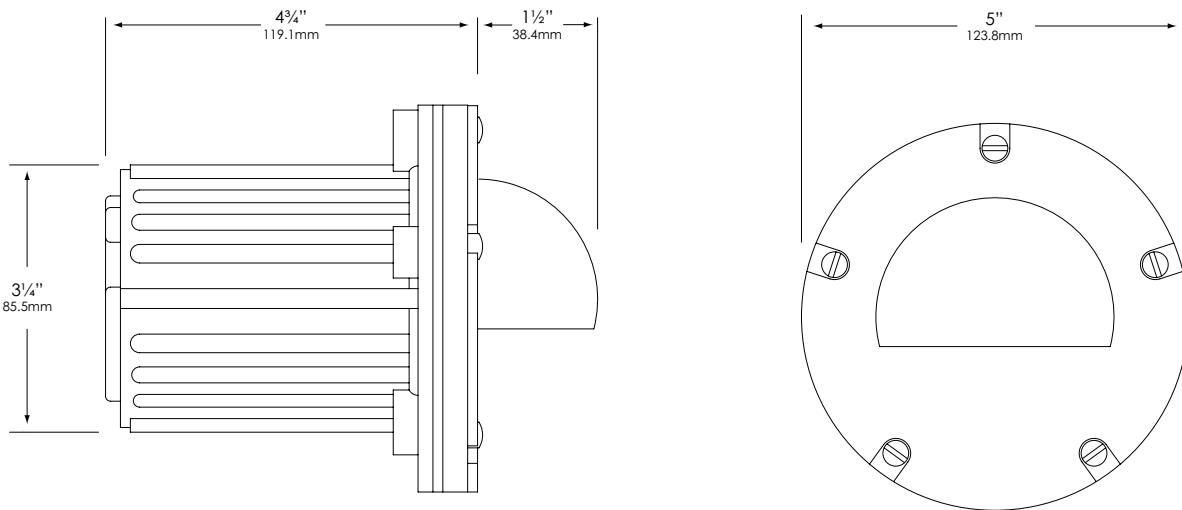
Provided with a three-foot pigtail of 18-2 direct-burial cable & underground connectors for a secure connection to the supply cable.

**CERTIFICATION:**

UL Listed to U.S. & Canadian safety standards for low voltage landscape luminaires (UL 1838). The maximum wattages allowed by Underwriters Laboratories (UL) for the U.S. & Canadian markets may vary. Maximum wattages specified are Underwriters Laboratories U.S. standard. Please contact Vista for any questions about the maximum wattages allowed by UL Canadian standards.

All Vista luminaires are **MADE IN THE U.S.A.**

### DIMENSIONS:



Vista Professional Outdoor Lighting reserves the right to modify the design and/or construction of the fixture shown without further notification.



# SPECIFICATION SHEET

## MODEL 5223 Landscape Series • Step & Brick Lights

### FIXTURE ORDERING INFORMATION

TO ORDER FIXTURE: Select appropriate choice from each column as in the following example.

**EXAMPLE: SL-5223-B-BAB**

| MOUNTING               | MODEL | FINISH                   | LAMP   | ACCESSORIES                      |
|------------------------|-------|--------------------------|--|----------------------------------|
| SL- Step light         | 5223  | Standard                 | BAB - 20W  | JBCP-150 - Concrete Mounting Kit |
|                        |       | B - Black                | LN-20 BAB Standard Halogen   |                                  |
|                        |       | Z - Architectural Bronze | 4.5-W-36 - 4.5W  |                                  |
|                        |       | DZ - Dark Bronze         | LN16-4.5-W-A-36-LED  |                                  |
|                        |       | GT - Granite             | Standard LED   |                                  |
|                        |       | W - White                |  |                                  |
|                        |       | Premium                  |  |                                  |
|                        |       | BR - Architectural Brick | (Please see lamp order code column in lamp guide of Vista product catalog) |                                  |
|                        |       | LZ - Light Bronze        |  |                                  |
|                        |       | SB - Special Bronze      |  |                                  |
| GG - Glossy Gray       |       |                          |  |                                  |
| R - Rust               |       |                          |  |                                  |
| HG - Hunter Green      |       |                          |  |                                  |
| WB - Weathered Bronze  |       |                          |  |                                  |
| WI - Weathered Iron    |       |                          |  |                                  |
| GM - Graphite Metallic |       |                          |  |                                  |
| Hand Finished          |       |                          |  |                                  |
| G - Verde              |       |                          |  |                                  |
| P - Pewter             |       |                          |  |                                  |
| M - Mocha              |       |                          |  |                                  |
| OF - Olde Finish       |       |                          |  |                                  |

Fixtures shipped with standard lamp, unless otherwise specified.