



**PROFESSIONAL  
OUTDOOR LIGHTING**

# SPECIFICATION SHEET

Type:

Model:

Project:

## MODEL 5104 Landscape Series • Up & Accent Lights

### FIXTURE SPECIFICATIONS:

**HOUSING:**

Die-cast, copper-free aluminum.

**SHROUD:**

Die-cast, copper-free aluminum fitted to housing with a silicone O-ring gasket – providing a superior weather-tight seal. Hinged shroud opens easily for access to lamp and is latched securely with a stainless steel screw at top to assure compartment maintains its weather-tight seal.

**FINISH:**

Durable powder coat finish available in Black, Architectural Bronze, Dark Bronze, Granite, White, Architectural Brick, Light Bronze, Special Bronze, Glossy Gray, Rust, Hunter Green, Weathered Bronze, Weathered Iron, Graphite Metallic, Verde, Pewter, Mocha and Olde Finish. Custom Powder coat finishes available on request.

**SOCKET/LAMP HOLDER:**

Top grade ceramic socket with nickel contacts, stainless steel springs, and Teflon-jacketed wire leads.

**LENS:**

Clear, tempered, shock and heat-resistant, soda-lime glass lens. Frosted lens is available; see accessories column on fixture ordering information chart.

**LAMP TYPE:**

- MR-16 Halogen – 50W maximum. LN-20 BAB (20W) Standard.
- MR-16 LED Lamp - 36° Flood, 4.5W is standard.

**MOUNTING:**

Injection-molded, glass-reinforced Ryton® R-4 composite adjustable knuckle with ½" NPT. Fixture may be mounted into threaded hubs in junction boxes, ground stakes, tree-mount boxes, or mounting canopies. Please see fixture ordering information for mounting selection.

**FASTENERS:**

All fasteners are stainless steel.

**WIRING:**

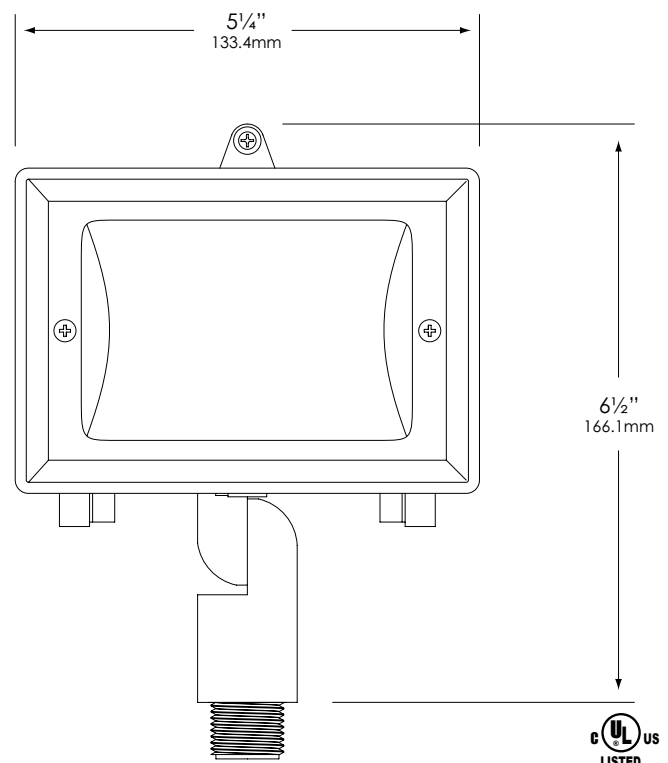
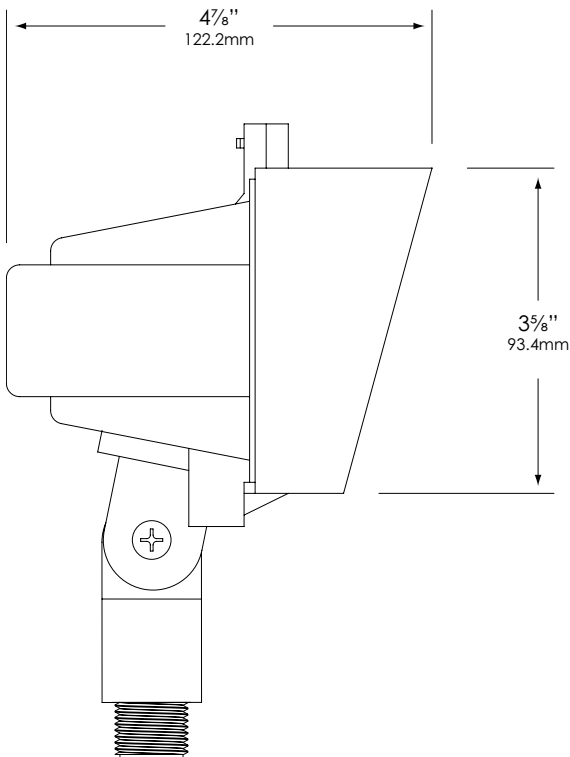
Prewired with a three-foot pigtail of 18-2 direct-burial cable and underground connectors for a secure connection to supply cable.

**CERTIFICATION:**

UL Listed to U.S. and Canadian safety standards for low voltage landscape luminaires (UL 1838). Maximum wattages allowed by Underwriters Laboratories (UL) for U.S. and Canadian markets may vary. Maximum wattages specified are Underwriters Laboratories U.S. standard. Please contact Vista for any questions about maximum wattages allowed by UL Canadian standards.

All Vista luminaires are **MADE IN U.S.A.**

### DIMENSIONS:



Vista Professional Outdoor Lighting reserves the right to modify the design and/or construction of the fixture shown without further notification.



# SPECIFICATION SHEET

## MODEL 5104 Landscape Series • Up & Accent Lights

### FIXTURE ORDERING INFORMATION

TO ORDER FIXTURE: Select appropriate choice from each column as in the following example.

**EXAMPLE: GR-5104-SB-BAB-FR**

MOUNTING	MODEL	FINISH	LAMP	ACCESSORIES
GR- ABS ground stake WR- Wall-mount canopy TR- Tree-mount junction box	5104	Standard	BAB - 20W	FR – Flat Frosted lens
		B - Black	LN-20 BAB Standard Halogen	
		Z - Architectural Bronze		
		DZ - Dark Bronze		
		GT - Granite		
		W - White		
		Premium	4.5-W-36 - 4.5W	
		BR - Architectural Brick	LN16-4.5-W-A-36-LED	
		LZ - Light Bronze	Standard LED	
		SB - Special Bronze	(Please see lamp order code column in lamp guide of Vista product catalog)	
GG - Glossy Gray				
R - Rust				
HG - Hunter Green				
WB - Weathered Bronze				
WI - Weathered Iron				
GM - Graphite Metallic				
Hand Finished				
G - Verde				
P - Pewter				
M - Mocha				
OF - Olde Finish				

Fixtures shipped with standard lamp, unless otherwise specified.

Fixtures shipped with specified mounting hardware.