



**PROFESSIONAL  
OUTDOOR LIGHTING**

Type:

Model:

Project:

## SPECIFICATION SHEET

### MODEL 2130-LED Landscape Series • Brass & Copper • Path & Spread Lights

#### FIXTURE SPECIFICATIONS:

**HOUSING:**

Spun solid copper or brass shade with a precision CNC-machined, *Twist-to-Lock* solid brass lamp base for easy tool-free lamp access.

**STEM:**

1/2" heavy-gauge, extruded, solid copper or brass pipe with 1/2" NPT.

**FINISH:**

Brushed natural copper, natural brass or Olde Brass finish. (Brushed copper will rapidly age to an elegant rich bronze-like color and may develop areas of patina over time.)

**LENS:**

*Panoramic Plus* - Wave shaped, textured, Tuffak® lens for superior light distribution.

**LAMP TYPE:**

High Output LED with Vista exclusive smart-driver, powered to operate for 50,000 hours.

**ELECTRICAL:**

Input voltage range 6-15V AC, regulated to achieve uniform illumination throughout the cable run of fixtures. Integral surge & reverse polarity protection.

**MOUNTING:**

Bottom of stem threaded with 1/2" NPT. Fixture may be mounted into threaded hubs in junction boxes, ground stakes, or floor-mounting canopies.

**FASTENERS:**

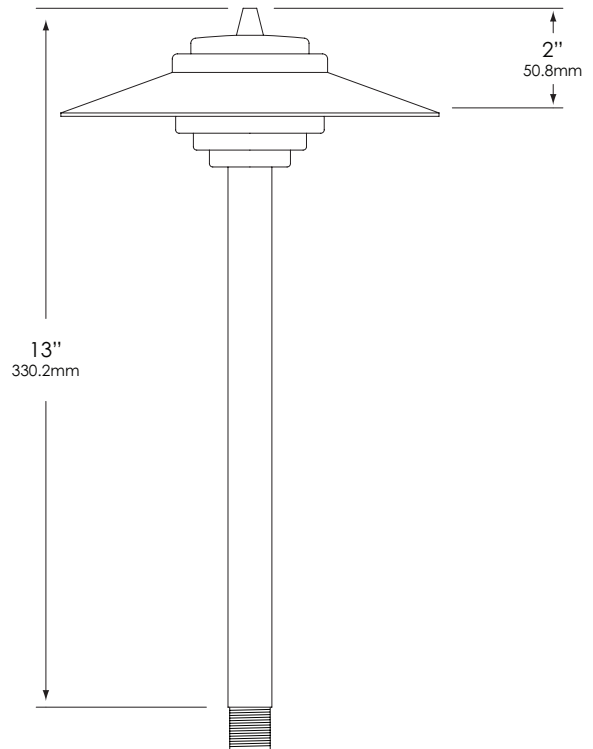
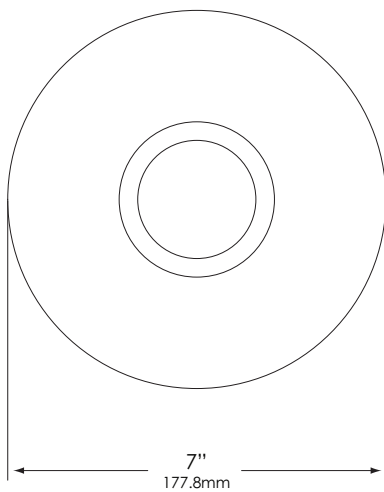
All fasteners are stainless steel.

**WIRING:**

Prewired with a three-foot pigtail of 18-2 direct-burial cable and underground connectors for a secure connection to supply cable.

All Vista luminaires are **MADE IN U.S.A.**

#### DIMENSIONS:



*Vista Professional Outdoor Lighting reserves the right to modify the design and/or construction of the fixture shown without further notification.*



# SPECIFICATION SHEET

## MODEL 2130-LED Landscape Series • Brass & Copper • Path & Spread Lights

### FIXTURE ORDERING INFORMATION

TO ORDER FIXTURE: Select appropriate choice from each column as in the following example.

**EXAMPLE: PR-2130-CSN-W-LB2ND**

MOUNTING	MODEL	FINISH	COLOR TEMP	LAMP
PR- ABS ground stake	2130	CSN - Natural Copper BSN - Natural Brass BSO - Olde Brass	W - Warm N - Neutral C - Cool	LB2ND - 2.5 watt LB5ND - 5 watt  LED - Group B Emitter Qty - 1 Temperature - Warm (W), Neutral (N), Cool (C) Operating voltage range - 6 to 15V.  <i>(Please see lamp order code column on lamp guide, Vista product catalog.)</i>

Fixtures shipped with standard lamp, unless otherwise specified.  
Fixtures shipped with specified mounting hardware.  
Note: Optional custom length stems available. Consult local distributor.