



**PROFESSIONAL
OUTDOOR LIGHTING**

Type:

Model:

Project:

SPECIFICATION SHEET

MODEL 1503 Architectural Series • Step Lights • LED

FIXTURE SPECIFICATIONS:

HOUSING:

Compression-molded fiber-reinforced polymer. High-strength, heat resistant and UV stable. Molded in threaded brass inserts.

DOOR COVER:

Door cover available in choice of three styles - beveled edge tempered glass aperture plate, die-cast copper-free aluminum bordered cover with tempered glass lens, or die-cast copper-free aluminum louvered cover with tempered glass lens.

FINISH:

Glass Border: Black (Standard).

Metal Door Cover: Architectural Bronze, Light Bronze, Dark Bronze, Special Bronze, Verde, Pewter, Architectural Brick, Granite, Terracotta, Rust, Hunter Green, Mocha, Weathered Bronze, Weathered Iron & White.

OPTICS/AIMING:

No-glare optics. Hot-aiming adjustable performance optic assembly. 30° of adjustment for precise beam control.

LAMP TYPE:

Six high output LED emitters, powered for high efficiency. Modular performance optic package.

REFLECTOR:

Extruded aluminum, satin etched. Adjustable ±15° from preset 0° position.

ELECTRICAL:

Constant current Class 2 output driver with universal voltage input (120-277VAC) Suitable for through branch wiring. Four ½" NPT conduit entry hubs with knockout membrane standard.

MOUNTING:

Rough-in box designed for installation in concrete, brick/block, wood frame construction (non-IC) and insulated walls (IC).

FASTENERS/INSERTS:

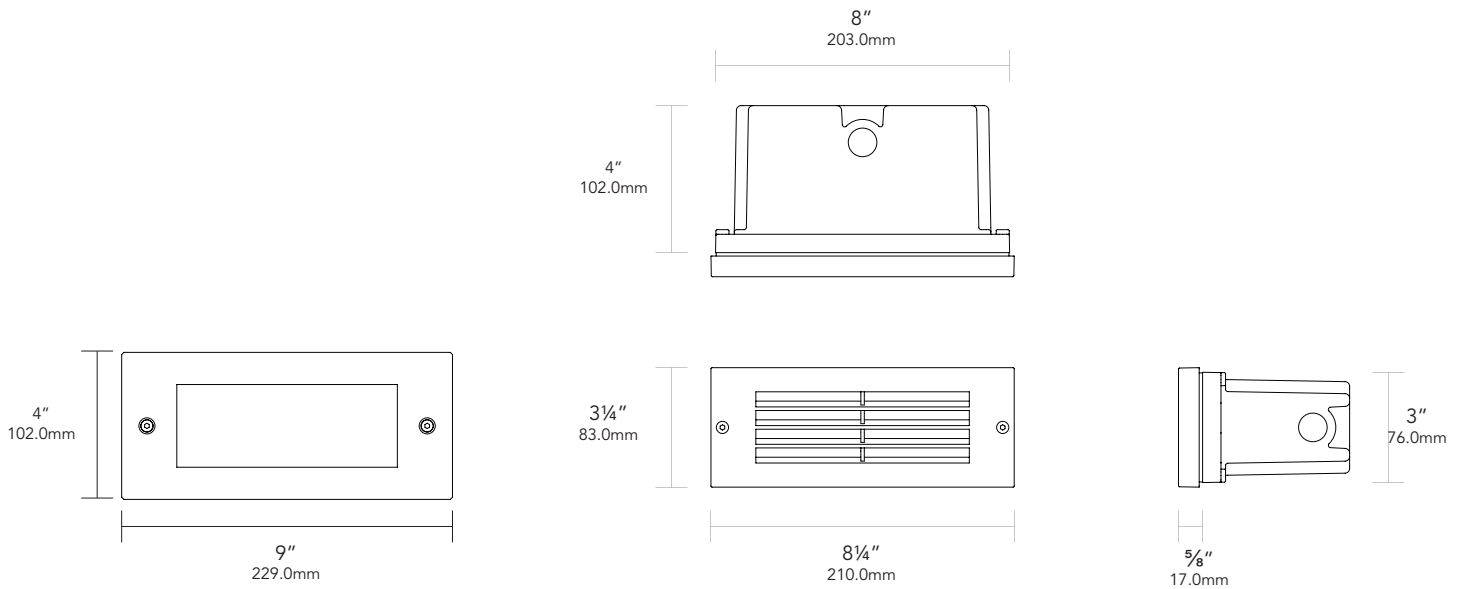
All fasteners are stainless steel.

CERTIFICATION:

UL Listed to U.S. & Canadian safety standards for line voltage landscape luminaires (UL 1598). Suitable for wet locations. IP66

All Vista luminaires are **MADE IN THE U.S.A.**

DIMENSIONS:



Vista Professional Outdoor Lighting reserves the right to modify the design and/or construction of the fixture shown without further notification.



SPECIFICATION SHEET

MODEL 1503 Architectural Series • Step Lights • LED

LAMP SPECIFICATIONS:

LED

- High output LED, powered for high efficiency
- Modular performance optic package
- **10.4 Watts**
- **322 Deliverable Lumens**

OPTICS / AIMING

- No-glare optics
- Hot-aiming adjustable performance optic assembly
- 30° of adjustment for precise beam control

ELECTRICAL

- Constant current Class 2 output driver
- Universal voltage input (120-277VAC)
- Suitable for through branch wiring
- Four ½" NPT conduit entry hubs with knockout membrane standard

FIXTURE ORDERING INFORMATION

TO ORDER FIXTURE: Select appropriate choice from each column as in the following example.

EXAMPLE: 1503-AL-B-W-MV-CP-ER-1503-1

MODEL	DOOR COVER	FINISH	COLOR TEMP	DIMMING	HOUSING (Rough-in Box)	ACCESSORIES
1503	AB - Aluminum Border AL - Aluminum Louver BB - Brass Border BL2 - Brass Gradient Door BL3 - Brass Louver BW - Brass Window SW - Stainless Steel Window SB - Stainless Steel Border SL2 - Stainless Steel Gradient Door SL3 - Stainless Steel Louver GB - Glass Border	Metal Door Cover SS - Stainless Steel* BSN - Natural Brass** BSO - Olde Brass** B - Black Z - Architectural Bronze DZ - Dark Bronze LZ - Light Bronze SB - Special Bronze G - Verde P - Pewter BR - Architectural Brick GT - Granite TC - Terracotta R - Rust HG - Hunter Green M - Mocha WB - Weathered Bronze WI - Weathered Iron W - White Glass Border Door Cover B - Black (Standard) Custom Color: (Consult Factory for Lead Time) * Stainless Steel Borders, Louvers, and Doors only. ** Brass Borders, Louvers, and Doors only.	W - Warm (3000°K) N - Neutral (4000°K)	ND - No Dimming PCT - Phase Cut TRIAC (120V only)	CP - Composite	ER-1503-1 (1 Extension Ring) ER-1503-2 (2 Extension Rings) ER-1503-3 (3 Extension Rings) ND - Non dimming (standard) FT - Flush Tray ** DF1 - Diffuser Film *Available in 120V inputs only ** Only available w/ Glass Border door cover.

Vista Professional Outdoor Lighting reserves the right to modify the design and/or construction of the fixture shown without further notification.