



PROFESSIONAL
OUTDOOR LIGHTING

Type:

Model:

Project:

SPECIFICATION SHEET

MODEL 1188 Architectural Series • Inground & Well Lights

FIXTURE SPECIFICATIONS:

DOOR:

Die-cast, low copper content, A360 aluminum. Post anodized Type III (hard anodized) and powder coated for maximum corrosion protection. Captive stainless steel fasteners affixed to a ventilated door. Inner vents allow hot air to escape from around optic housing while outer vents allow cool air to enter fixture housing.

FIXTURE HOUSING:

Compression-molded, glass-reinforced polymer for strength and high UV stability. Molded with integral junction box. Unibody construction allows for superior door and optic housing support. J-box comes standard with two 3/4" NPT bottom **B34** tapped holes. 3/4" NPT front **F34**, 3/4" NPT side **S34** and 3/4" NPT all **A34** conduit entry holes optional (Consult Factory).

OPTIC HOUSING:

Die-cast A360 aluminum. Finned for maximum heat dissipation. Type III hard anodized and Thermkote treated for maximum corrosion protection. Optic and driver compartment separately sealed while being electrically connected.

DRIVER COMPARTMENT:

Injection molded PPS for maximum corrosion protection. Driver compartment houses electronic LED driver and thermostat which cuts power to fixture in abnormal ambient temperature conditions. Driver compartment is completely epoxy potted to protect electronics from moisture.

DOOR FINISH:

Durable powder coat finish available in Black, Architectural Bronze, Dark Bronze, Granite, White, Architectural Brick, Light Bronze, Special Bronze, Glossy Gray, Rust, Hunter Green, Weathered Bronze, Weathered Iron, Graphite Metallic, Verde, Pewter, Mocha and Olde Finish. Custom Powder coat finishes available on request.

LED:

Cree® CXA 3050COB driven at 700mA, 800mA, or 900mA.

COLOR TEMPERATURE:

LED's are offered in 2700°K, 3000°K, 3500°K, 4000°K, or 5000°K CCT ANSI white 4 step Cree® East White™ bins

LIGHT DISTRIBUTION:

Very Narrow Spot **VNS** (NEMA 2x2), Narrow Spot **NS** (NEMA 2x2), Medium Flood **MF** (NEMA 4x4), and Wide Flood **WF** (NEMA 6x6).

REFLECTOR:

Specular or semi-specular optics designed for maximum performance and uniformity. Very Narrow Spot **VNS** optic incorporates an internal source shield to eliminate unwanted glare outside the beam pattern.

LENS/SEAL:

1/2" thick tempered pressed clear glass sealed with a solid molded silicone gasket.

WIRING:

3' 18/3 outdoor-rated hard usage cable standard for non-dimming **ND** and Phase Cut TRIAC (120V only) dimming **PCT** fixtures. 3' 18/5 outdoor-rated hard usage cable standard for 0-10V dimming **O10** fixtures. Cable exits fixture housing through a liquid tight cable fitting.

DRIVER:

Integral CUL listed LED driver, either non-dimmable **ND** or dimmable. Dimming: 0-10VDC **O10** and Phase Cut TRIAC (120V only) **PCT** options available. Multi-Volt **MV** 120V-277V driver input standard.

ACCESSORIES:

TO5 - Tilt Optic 5°, **TO10** - Tilt Optic 10°, **TO15** - Tilt Optic 15°, **TO25** - Tilt Optic 25°, **DF** - Diffuse Filter, **LSF** - Linear Spread Filter, **RBK** - Rebar Bracket Kit, **STR** - Stainless Trim Ring, and **HS** - Half Glare Shield. Dichroic Lenses: **YL** - Yellow, **RL** - Red, **BL** - Blue, **GL** - Green.

MOUNTING:

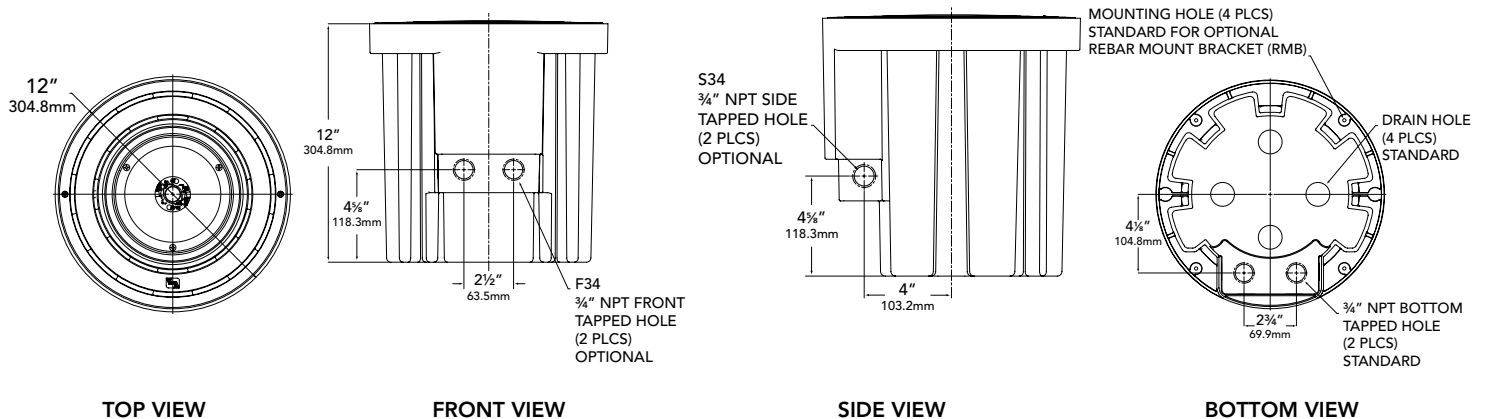
Fixture suitable for direct burial in earth or poured concrete applications.

CERTIFICATION:

C ETL US wet location listed. *IP68*

All Vista Architectural luminaires are **MADE IN THE U.S.A.**

DIMENSIONS:



Vista Professional Outdoor Lighting reserves the right to modify the design and/or construction of the fixture shown without further notification.





SPECIFICATION SHEET

MODEL 1188 Architectural Series • Inground & Well Lights

LAMP SPECIFICATIONS

LED:

- High lumen output LED powered for high efficacy
- Cree® CXA 3050 COB driven at 700mA, 800mA, or 900mA.
- 2700°K, 3000°K, 3500°K, 4000°K, or 5000°K CCT ANSI white 4 step Cree® Easy White™ bins.
- 1150- 3248 Delivered Lumens
- 25-35 Watts

OPTICS/AIMING:

- Specular or semi-specular optics designed for maximum performance and uniformity.
- Very Narrow Spot **VNS** (NEMA 2x2), Narrow Spot **NS** (NEMA 2x2), Medium Flood **MF** (NEMA 4x4), and Wide Flood **WF** (NEMA 6x6).
- Fixture aiming achieved via a series of tilt optic lenses and patent pending magnetic aiming system.

ELECTRICAL:

- Constant current 700mA, 800mA, or 900mA output driver.
- Multi-Volt **MV** 120V-277V universal input.
- 3' 18/3 outdoor-rated hard usage cable standard for non-dimming fixtures and Phase Cut TRIAC PCT dimming fixtures.
- 3' 18/5 outdoor-rated hard usage cable standard for 0-10V dimming fixtures.

1188 SERIES-LOAD RATING:

- Peak compressive force of **8,000 lbs.** This represents 95% of max load to load failure on average. Independent tests performed by SGS US Testing Company, Inc., an ISO 17025 accredited National Testing Laboratory.

FIXTURE ORDERING INFORMATION

TO ORDER FIXTURE: Select appropriate choice from each column as in the following example.

EXAMPLE: 1188-GG-NS-30-A-MV-CX-ND-F34-TO5

MODEL	DOOR FINISH	DISTRIBUTION	COLOR TEMPERATURE	DELIVERED LUMENS
1188	Standard	VNS - Very Narrow Spot NS - Narrow Spot MF - Medium Flood WF - Wide Flood	27 - 2700°K 30 - 3000°K 35 - 3500°K 40 - 4000°K 50 - 5000°K	A - 1500-2000 B - 2000- 2500 C - 2500-3000 1188-VNS not available with B & C lumen packages.
	B - Black Z - Architectural Bronze DZ - Dark Bronze GT - Granite W - White			
	Premium			
	BR - Architectural Brick LZ - Light Bronze SB - Special Bronze GG - Glossy Gray R - Rust HG - Hunter Green WB - Weathered Bronze WI - Weathered Iron GM - Graphite Metallic			
	Hand Finished			
	G - Verde P - Pewter M - Mocha OF - Olde Finish			

VOLTAGE	LENS	DIMMING	CONDUIT ENTRIES	ACCESSORIES
MV - Multi-Volt (120V-277V)	CX - Crowned Clear AX - Anti Slip Clear	ND - No Dimming O10 - 0-10V PCT - Phase Cut TRIAC (120V only)	B34 - Bottom ¾" (standard)	TO5 - Tilt Optic 5° TO10 - Tilt Optic 10° TO15 - Tilt Optic 15° TO25 - Tilt Optic 25° DF - Diffuse Filter LSF - Linear Spread Filter
			F34 - Front ¾" S34 - Sides ¾" A34 - All ¾" (available as an option) (Consult Factory)	

Vista Professional Outdoor Lighting reserves the right to modify the design and/or construction of the fixture shown without further notification.



SPECIFICATION SHEET

MODEL 1188 Architectural Series • Inground & Well Lights

LUMEN OUTPUT PACKAGES

Watts	Lumens
-------	--------

Beam Spread	A	B	C
NS	31.5 Watts	35.9 Watts	36.7 Watts
	2180 Lumens	2488 Lumens	2796 Lumens
MF	30.7 Watts	35.0 Watts	35.8 Watts
	2120 Lumens	2418 Lumens	2718 Lumens
WF	32.4 Watts	37.0 Watts	37.8 Watts
	2532 Lumens	2891 Lumens	3248 Lumens

Vista Professional Outdoor Lighting reserves the right to modify the design and/or construction of the fixture shown without further notification.