



PROFESSIONAL
OUTDOOR LIGHTING

Type: _____

Model: _____

Project: _____

SPECIFICATION SHEET

MODEL 1181 Architectural Series • Inground & Well Lights

FIXTURE SPECIFICATIONS:

DOOR/MARKER COVER:

Die-cast, low copper content, A360 aluminum. TYPE III hard anodized and powder coated for maximum corrosion protection with captive stainless steel fasteners.

FIXTURE HOUSING:

Injection-molded, glass-reinforced polymer for strength and high UV stability. Unibody construction allows for superior marker cover and optic housing support. Standard with two 1/2" NPT side **S12** tapped holes. 1/2" NPT bottom **B12** and 3/4" NPT bottom **B34** conduit entry holes optional without side holes.

OPTIC/DRIVER HOUSING:

Die-cast A360 aluminum. Type III hard anodized for maximum corrosion protection. Optic and driver compartment separately sealed while being electrically connected. Driver compartment houses electronic LED driver. Driver compartment is completely epoxy potted to protect electronics from moisture.

DOOR/MARKER COVER FINISH:

Durable powder coat finish available in Black, Architectural Bronze, Dark Bronze, Granite, White, Architectural Brick, Light Bronze, Special Bronze, Glossy Gray, Rust, Hunter Green, Weathered Bronze, Weathered Iron, Graphite Metallic, Verde, Pewter, Mocha and Olde Finish. Custom Powder coat finishes available on request.

LED:

Cree® CXB 1310 COB driven at 350mA

CRI:

The CRI is 83.

COLOR TEMPERATURE:

LED's are offered in 2700°K, 3000°K, 3500°K, 4000°K, or 5000°K CCT ANSI white 4 step Cree® East White™ bins

LIGHT DISTRIBUTION:

Full 360° pattern **F** and Half 180° pattern **H**.

OPTICS:

TIR/Reflectorized optic with high reflectance kicker reflector for maximum performance and uniformity.

LENS/SEAL:

3/16" thick tempered pressed clear glass sealed with a solid molded silicone gasket.

DRIVER:

Integral CUL listed LED driver, either non-dimmable **ND** or dimmable. Dimming: 0-10VDC **010** and Phase Cut TRIAC (120V only) **PCT** options available. Dual-Volt **DV** 120V/277V driver input standard.

ACCESSORIES:

RBK - Rebar Bracket Kit, **STR** Stainless Trim Ring.

MOUNTING:

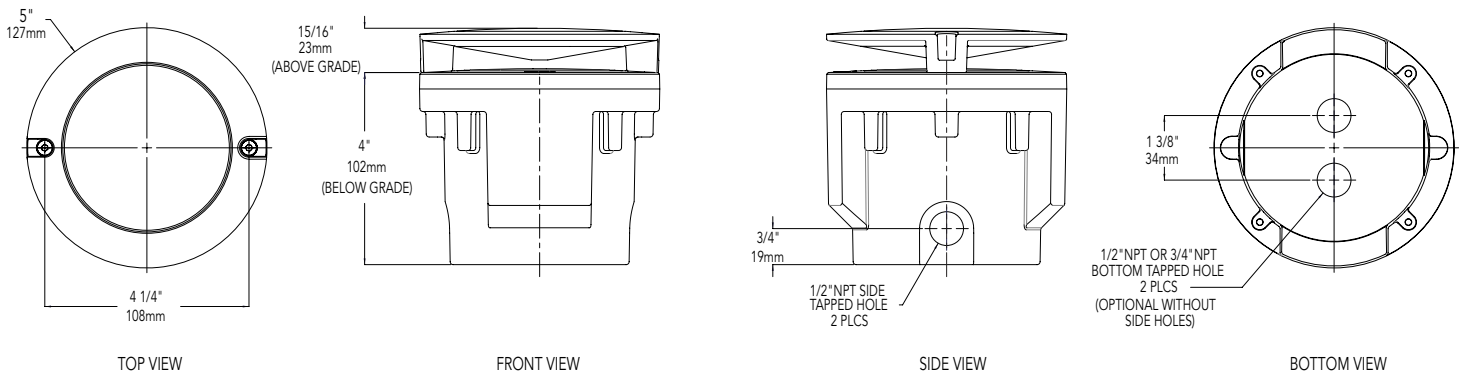
Fixture suitable for direct burial in earth or poured concrete. Also suitable for IC (walls only) and Non-IC installation. For both indoor and outdoor applications.

CERTIFICATION:

UL & CUL wet location listed. *IP68*

All Vista Architectural luminaires are **MADE IN THE U.S.A.**

DIMENSIONS:



Vista Professional Outdoor Lighting reserves the right to modify the design and/or construction of the fixture shown without further notification.



SPECIFICATION SHEET

MODEL 1181 Architectural Series • Inground & Well Lights

LAMP SPECIFICATIONS

- LED:**
- Cree® CXB 1310 COB driven at 350mA
 - 2700°K, 3000°K, 3500°K, 4000°K, or 5000°K CCT ANSI white 4 step Cree® Easy White™ bins
 - 68 Delivered Lumens
 - 13 Watts
- ELECTRICAL:**
- Constant current 350mA output driver.
 - Dual-Volt **DV** 120V/277V input.
 - 0-10VDC **010** and Phase Cut TRIAC **PCT** dimming available
- OPTICS/AIMING:**
- TIR/Reflectorized optic with high reflectance kicker reflector for maximum performance and uniformity.
 - Full 360° pattern **F** and Half 180° pattern **H**.

FIXTURE ORDERING INFORMATION

TO ORDER FIXTURE: Select appropriate choice from each column as in the following example.

EXAMPLE: 1181-GM-F-30-A-DV-ND-S12-RBK

MODEL	DOOR FINISH	DISTRIBUTION	COLOR TEMPERATURE
1181	Standard	F - Full 360° pattern H - Half 180° pattern	27 - 2700°K 30 - 3000°K 35 - 3500°K 40 - 4000°K 50 - 5000°K
	B - Black Z - Architectural Bronze DZ - Dark Bronze W - White GT - Granite		
	Premium		
	BR - Architectural Brick LZ - Light Bronze SB - Special Bronze GG - Glossy Gray R - Rust HG - Hunter Green WB - Weathered Bronze WI - Weathered Iron GM - Graphite Metallic		
	Hand Finished		
	G - Verde P - Pewter M - Mocha OF - Olde Finish		

DELIVERED LUMENS	VOLTAGE	DIMMING	CONDUIT ENTRIES	ACCESSORIES
A - 68	DV - Dual-Volt (120V/277V)	ND - No Dimming 010 - 0-10V PCT - Phase Cut TRIAC (120V only)	S12 - Side 1/2 " B12 - Bottom 1/2 " B34 - Bottom 3/4 "	RBK - Rebar Bracket Kit STR - Stainless Trim Ring

Vista Professional Outdoor Lighting reserves the right to modify the design and/or construction of the fixture shown without further notification.