



PROFESSIONAL
OUTDOOR LIGHTING

Type: _____

Model: _____

Project: _____

SPECIFICATION SHEET

MODEL 1180 Architectural Series • Inground & Well Lights

FIXTURE SPECIFICATIONS:

DOOR/DOMED COVER:

Die-cast, low copper content, A360 aluminum. TYPE III hard anodized and powder coated for maximum corrosion protection with captive stainless steel fasteners.

FIXTURE HOUSING:

Injection-molded, glass-reinforced polymer for strength and high UV stability. Unibody construction allows for superior domed cover and optic housing support. Standard with two 1/2" NPT side **S12** tapped holes. 1/2" NPT bottom **B12** and 3/4" NPT bottom **B34** conduit entry holes optional without side holes.

OPTIC/DRIVER HOUSING:

Die-cast A360 aluminum. Type III hard anodized for maximum corrosion protection. Optic and driver compartment separately sealed while being electrically connected. Driver compartment houses electronic LED driver. Driver compartment is completely epoxy potted to protect electronics from moisture.

DOOR/DOMED COVER FINISH:

Durable powder coat finish available in Black, Architectural Bronze, Dark Bronze, Granite, White, Architectural Brick, Light Bronze, Special Bronze, Glossy Gray, Rust, Hunter Green, Weathered Bronze, Weathered Iron, Graphite Metallic, Verde, Pewter, Mocha and Olde Finish. Custom Powder coat finishes available on request.

LED:

Cree® CXB 1310 COB driven at 350mA

CRI:

The CRI is 84.

COLOR TEMPERATURE:

LED's are offered in 2700°K, 3000°K, 3500°K, 4000°K, or 5000°K CCT ANSI white 4 step Cree® East White™ bins

LIGHT DISTRIBUTION:

Full 360° pattern **F** and Half 180° pattern **H**.

OPTICS:

TIR/Reflectorized optic with high reflectance kicker reflector for maximum performance and uniformity.

LENS/SEAL:

3/16" thick tempered pressed clear glass sealed with a solid molded silicone gasket.

DRIVER:

Integral CUL listed LED driver, either non-dimmable **ND** or dimmable. Dimming: 0-10VDC **010** and Phase Cut TRIAC (120V only) **PCT** options available. Dual-Volt **DV** 120V or 277V driver input standard.

MOUNTING:

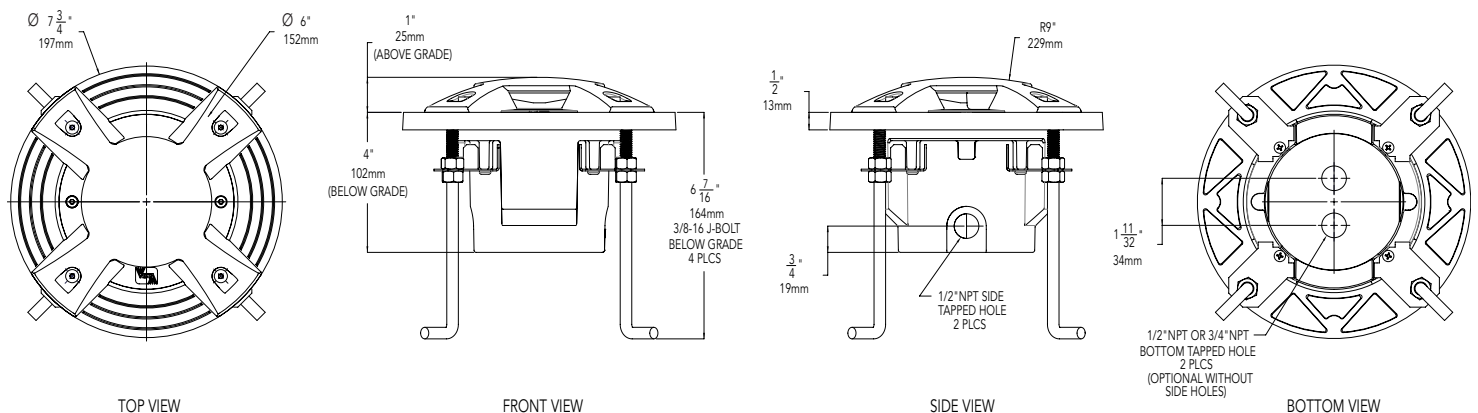
Fixture suitable for direct burial in poured concrete. For both Indoor and outdoor applications.

CERTIFICATION:

UL & CUL wet location listed. *IP68*

All Vista Architectural luminaires are [MADE IN THE U.S.A.](#)

DIMENSIONS:



Vista Professional Outdoor Lighting reserves the right to modify the design and/or construction of the fixture shown without further notification.



SPECIFICATION SHEET

MODEL 1180 Architectural Series • Inground & Well Lights

LAMP SPECIFICATIONS

LED:

- Cree® CXB 1310 COB driven at 350mA
- 2700°K, 3000°K, 3500°K, 4000°K, or 5000°K CCT ANSI white 4 step Cree® Easy White™ bins
- 450 Delivered Lumens
- 13 Watts

OPTICS/AIMING:

- TIR/Reflectorized optic with high reflectance kicker reflector for maximum performance and uniformity.
- Full 360° pattern **F** and Half 180° pattern **H**.

ELECTRICAL:

- Constant current 350mA output driver.
- Dual-Volt **DV** 120V or 277V input.
- 0-10VDC **010** and Phase Cut TRIAC **PCT** dimming available

1180 SERIES-LOAD RATING:

- Peak compressive force of **7,000 lbs.** This represents 63% of max load to load failure on average. Independent tests performed by SGS US Testing Company, Inc., an ISO 17025 accredited National Testing Laboratory.

FIXTURE ORDERING INFORMATION

TO ORDER FIXTURE: Select appropriate choice from each column as in the following example.

EXAMPLE: 1180-GM-F-30-A-DV-ND-S12

MODEL	DOOR FINISH	DISTRIBUTION	COLOR TEMPERATURE
1180	Standard	F - Full 360° pattern H - Half 180° pattern	27 - 2700°K 30 - 3000°K 35 - 3500°K 40 - 4000°K 50 - 5000°K
	B - Black		
	Z - Architectural Bronze		
	DZ - Dark Bronze		
	W - White		
	GT - Granite		
Premium	BR - Architectural Brick LZ - Light Bronze SB - Special Bronze GG - Glossy Gray R - Rust HG - Hunter Green WB - Weathered Bronze WI - Weathered Iron GM - Graphite Metallic		
BR - Architectural Brick			
LZ - Light Bronze			
SB - Special Bronze			
GG - Glossy Gray			
R - Rust			
Hand Finished	G - Verde P - Pewter M - Mocha OF - Olde Finish		
G - Verde			
P - Pewter			
M - Mocha			
OF - Olde Finish			

DELIVERED LUMENS	VOLTAGE	DIMMING	CONDUIT ENTRIES
A - 450	DV - Dual-Volt (120V or 277V)	ND - No Dimming 010 - 0-10V PCT - Phase Cut TRIAC (120V only)	S12 - Side 1/2 " B12 - Bottom 1/2 " B34 - Bottom 3/4 "

Vista Professional Outdoor Lighting reserves the right to modify the design and/or construction of the fixture shown without further notification.