



PROFESSIONAL
OUTDOOR LIGHTING

Type:

Model:

Project:

SPECIFICATION SHEET

MODEL 1059 Architectural Series • Up & Accent

FIXTURE SPECIFICATIONS:

DOOR:

Die-cast, low copper content, A360 aluminum offers maximum corrosion protection. Captive stainless steel fasteners affixed to a minimalistic styled door. Door is designed to shed water from the lens surface.

HOUSING:

Die-cast A360 aluminum. Optic and driver compartment separately sealed while being electrically connected. Housing aiming achieved via a heavy aluminum yoke strap and locked in position with stainless steel lock washers and nuts. Locking fasteners are covered with decorative die-cast aluminum end caps.

FINISH:

Durable powder coat finish available in Black, Architectural Bronze, Dark Bronze, Granite, White, Architectural Brick, Light Bronze, Special Bronze, Glossy Gray, Rust, Hunter Green, Weathered Bronze, Weathered Iron, Graphite Metallic, Verde, Pewter, Mocha and Olde Finish. Custom Powder coat finishes available on request.

LED:

Cree® CXA 3050 COB driven at 1050mA, 1190mA, 1400mA, or 1750mA.

COLOR TEMPERATURE:

LED's are offered in 2700°K, 3000°K, 3500°K, 4000°K, or 5000°K CCT ANSI white 4 step Cree® East White™ bins

LIGHT DISTRIBUTION:

Very Narrow Spot **VNS** (NEMA 2x2), Narrow Spot **NS** (NEMA 2x2), Medium Flood **MF** (NEMA 5x5), and Wide Flood **WF** (NEMA 6x6).

REFLECTOR:

High-purity anodized specular or semi-specular aluminum optics designed for maximum performance and uniformity. Very Narrow Spot **VNS** optic incorporates an internal source shield to eliminate unwanted glare outside the beam pattern.

LENS/SEAL:

¼" thick tempered and seamed clear glass sealed with a closed cell molded silicone gasket.

WIRING:

3 foot 18/3 outdoor-rated hard usage cable standard for non-dimming **ND** fixtures. 3 foot 18/5 outdoor-rated hard usage cable standard for dimming **010** fixtures. Cable exits fixture housing through a liquid tight cable fitting.

DRIVER:

Integral CUL listed LED driver, either non-dimmable **ND** or dimmable. Dimming: 0-10VDC **010** available. Multi-Volt **MV** 120V-277V driver input standard.

ACCESSORIES:

DF - Diffuse Filter, **LSFH**- Linear Spread Filter Horizontal, **LSFV**- Linear Spread Filter Vertical, **BD**- Barn Doors, **FS**- Full Shield, and **HS**- Half Shield available. **BD**, **FS** and **HS** accessories are attached into pre-existing slots located on the underside of the fixture door providing for a fastener free appearance.

MOUNTING:

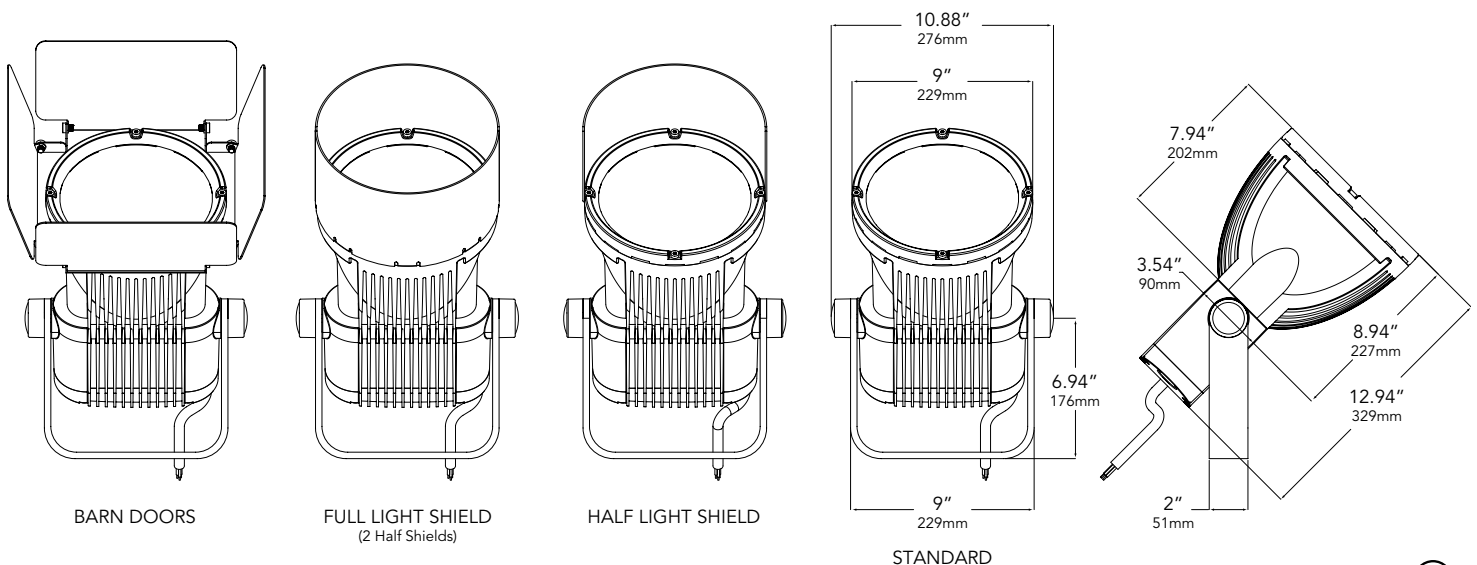
Ground, wall, or ceiling mounted on a heavy aluminum yoke strap including a heavy-duty liquid tight corrosion resistant cord seal. Addition mounting holes provided in the yoke strap; fasteners by others. Please see the Vista Pro website for additional stanchion mount, wall box, and recessed box mounting accessories.

CERTIFICATION:

UL & CUL wet location listed. *IP66*

All Vista Architectural luminaires are **MADE IN THE U.S.A.**

DIMENSIONS:



Vista Professional Outdoor Lighting reserves the right to modify the design and/or construction of the fixture shown without further notification.





SPECIFICATION SHEET

MODEL 1059 Architectural Series • Up & Accent Lights

LAMP SPECIFICATIONS

LED:

- High lumen output LED powered for high efficacy
- Cree® CXA 3050 COB driven at 1050mA, 1190mA, 1400mA or 1750mA
- 2700°K, 3000°K, 3500°K, 4000°K, or 5000°K CCT ANSI white 4 step Cree® Easy White™ bins.
- 2000-5000 Delivered Lumens
- 45-75 Watts

OPTICS/AIMING:

- High-purity anodized specular or semi-specular aluminum optics designed for maximum performance and uniformity
- Very Narrow Spot **VNS** (NEMA 2x2), Narrow Spot **NS** (NEMA 2x2), Medium Flood **MF** (NEMA 5x5), and Wide Flood **WF** (NEMA 6x6)
- Housing aiming achieved via a heavy aluminum yoke strap and locked in position with stainless steel lock washers and nuts

ELECTRICAL:

- Constant current 1050mA, 1190mA, 1400mA, or 1750mA output driver
- Multi-Volt **MV** 120V-277V universal input
- 3 foot 18/3 outdoor-rated hard usage cable standard for non-dimming fixtures
- 3 foot 18/5 outdoor-rated hard usage cable standard for dimming fixtures

FIXTURE ORDERING INFORMATION

TO ORDER FIXTURE: Select appropriate choice from each column as in the following example.

EXAMPLE: 1059-GG-NS-40-D-MV-010-HS

MODEL	FINISH	DISTRIBUTION	COLOR TEMP	DELIVERED LUMENS	VOLTAGE	DIMMING	ACCESSORIES
1059	Standard	VNS - Very Narrow Spot NS - Narrow Spot MF - Medium Flood WF - Wide Flood	27 - 2700°K 30 - 3000°K 35 - 3500°K 40 - 4000°K 50 - 5000°K	B - 2000-2500 Lumens C - 2500-3000 Lumens D - 3000-3500 Lumens E - 3500-4000 Lumens F - 4000-4500 Lumens G - 4500-5000 Lumens * **	MV - Multi-Volt (120V-277V)	ND - No Dimming 010 - 0-10V	BD - Barn Doors FS - Full Light Shield HS - Half Light Shield DF - Diffuse Filter LSFH - Linear Spread Filter Horizontal LSFV - Linear Spread Filter Vertical
	B - Black						
	Z - Architectural Bronze						
	DZ - Dark Bronze						
	GT - Granite						
	W - White						
	Premium						
	BR - Architectural Brick						
	LZ - Light Bronze						
	SB - Special Bronze						
GG - Glossy Gray							
R - Rust							
HG - Hunter Green							
WB - Weathered Bronze							
WI - Weathered Iron							
GM - Graphite Metallic							
Hand Finished							
G - Verde							
P - Pewter							
M - Mocha							
OF - Olde Finish							

* 1059-NS, MF, & WF not available with B & C Delivered Lumen Packages

** 1059-VNS not available with D, E, F & G Delivered Lumen Packages



PROFESSIONAL
OUTDOOR LIGHTING

SPECIFICATION SHEET

MODEL 1059 Architectural Series • Up & Accent Lights

LUMEN OUTPUT PACKAGES

Watts	Lumens
-------	--------

Beam Spread	B	C	D	E	F	G
VNS	60.3 Watts 2460 Lumens	74.1 Watts 2793 Lumens				
NS			48.6 Watts 3559 Lumens	49.5 Watts 3874 Lumens	60.1 Watts 4281 Lumens	74.1 Watts 5181 Lumens
MF			48.7 Watts 3407 Lumens	49.5 Watts 3744 Lumens	60.4 Watts 4151 Lumens	74.1 Watts 4972 Lumens
WF			48.4 Watts 3199 Lumens	49.3 Watts 3476 Lumens	60.0 Watts 3933 Lumens	73.8 Watts 4566 Lumens

Vista Professional Outdoor Lighting reserves the right to modify the design and/or construction of the fixture shown without further notification.