



PROFESSIONAL
OUTDOOR LIGHTING

Type:

Model:

Project:

SPECIFICATION SHEET

MODEL 1039 Architectural Series • Up & Accent

FIXTURE SPECIFICATIONS:

LAMP TYPE:

Flat Quad Compact Fluorescent, 36W maximum. Lamp not included with fixture, order separately. Ballast is integrated into each fixture – please specify ballast type in fixture ordering information.

HOUSING:

Injection-molded, glass-reinforced Ryton™ R4 composite for strength & high UV stability – warranted for ten years against corrosion.

SHROUD:

Injection-molded, glass-reinforced polymer (Ryton™ R4) fitted to the housing with a silicone o-ring gasket, providing a superior weather-tight seal. The hinged shroud opens easily for access to the lamp & is latched securely with stainless steel screws at the top to assure the compartment maintains its weather-tight seal.

FINISH:

Polyester powder-coat finish available in Black, Verde, Architectural Brick, Light Bronze, Dark Bronze, Granite, Pewter, Terracotta, Rust, Hunter Green, Mocha, Weathered Bronze, Weathered Iron, and White.

SOCKET/LAMP HOLDER:

2G10 base compact florescent thermoplastic socket.

BALLAST:

Electronic ballast with universal input voltage from 120 to 277V, simplified wiring, & micro-controller circuitry for energy efficiency & reliable control, rated for 0° starting.

LENS:

Flat, clear, tempered, shock & heat-resistant, soda-lime glass lens. Optical effect lenses are available; please see the lens & accessories columns in the fixture ordering information chart.

REFLECTOR:

Hammer tone finish high performance aluminum reflector for even beam pattern.

SWIVEL:

Injection-molded, glass-reinforced Zytel® HTN composite adjustable knuckle with ½" NPT & jam nut. Fixture may be mounted into threaded hubs in junction boxes, ground stakes, grade-mounted ballast enclosures or tree-mount boxes. An optional heavy-duty two-piece swivel bracket is also available. The swivel bracket is recommended for commercial & high traffic areas.

FASTENERS:

All fasteners are stainless steel.

WIRING:

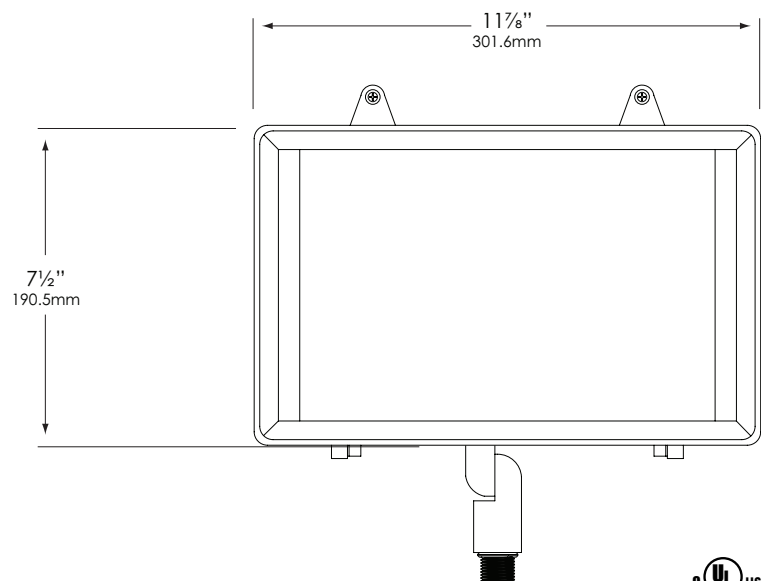
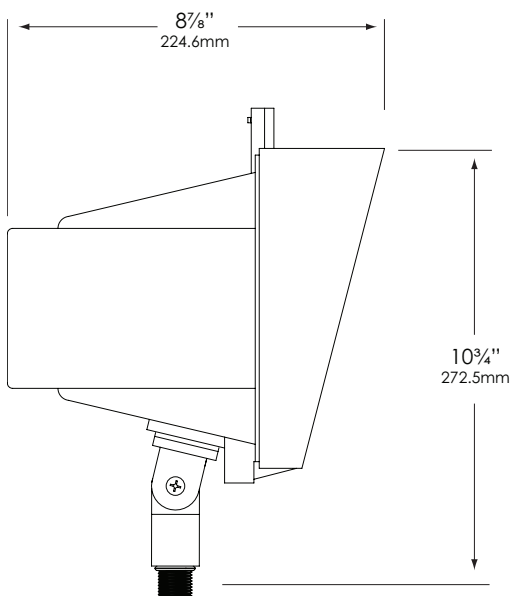
Prewired with 200°C-rated wire along with a grounded lead.

CERTIFICATION:

UL Listed to U.S. & Canadian safety standards for line voltage landscape luminaires (UL 1598). The maximum wattages allowed by Underwriters Laboratories (UL) for the U.S. & Canadian markets may vary. Maximum wattages specified are Underwriters Laboratories U.S. standard. Please contact Vista for any questions about the maximum wattages allowed by UL Canadian standards.

All Vista luminaires are **MADE IN THE U.S.A.**

DIMENSIONS:



Vista Professional Outdoor Lighting reserves the right to modify the design and/or construction of the fixture shown without further notification.



SPECIFICATION SHEET

MODEL 1039 Architectural Series • Up & Accent Lights

FIXTURE ORDERING INFORMATION

TO ORDER FIXTURE: Select appropriate choice from each column as in the following example.

EXAMPLE: 1039-B-FR-18-120-HD

MODEL	FINISH	ACCESSORIES	BALLAST WATTAGE	BALLAST VOLTAGE	SWIVEL
1039	B - Black G - Verde BR - Architectural Brick LZ - Light Bronze DZ - Dark Bronze GT - Granite P - Pewter TC - Terracotta R - Rust HG - Hunter Green M - Mocha WB - Weathered Bronze WI - Weathered Iron W - White	FR - Frosted flat lens	18 24 36	120 208 240 277 MT - Multi-tap	SK - Standard polymer knuckle HD - Heavy-duty, two-piece swivel assembly

Lamp not included with fixture, order separately - For available lamps, see Lamp Guide - Vista catalog.