

Photometric Test Report

IES FLOOD REPORT

PHOTOMETRIC FILENAME : L01121405.IES

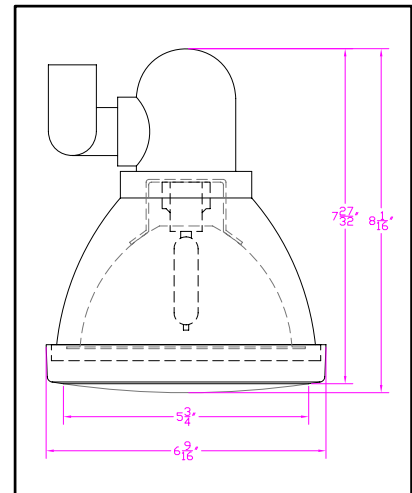
DESCRIPTIVE INFORMATION (From Photometric File)

IESNA:LM-63-2002
[TEST] L01121405
[TESTLAB] LIGHT LABORATORY, INC.
[ISSUEDATE] 2/16/2012
[MANUFAC] VISTA PROFESSIONAL OUTDOOR LIGHTING
[LUMCAT] 1096-B-CX-MH39-WFL
[LUMINAIRE] 6-9/16"DIA. X 8-1/16"H. UP AND ACCENT LIGHT
[MORE] 39W CDM LAMP WITH WIDE FLOOD REFLECTOR
[MORE] CLEAR TEMPERED GLASS LENS
[BALLASTCAT] HATCH MC39-1-F-UNNU
[BALLAST] 120-277V 50/60Hz ELECTRONIC
[LAMPPOSITION] 0,0
[LAMPCAT] SYLVANIA MC39TC/U/G8.5/830
[LAMPLUM] 3300
[INPUT] 120VAC, 44.63W

Note: Candela values converted from Type-C to Type-B

CHARACTERISTICS

NEMA Type	7 H x 6 V
Maximum Candela	892
Maximum Candela Angle	-19.5H -3V
Horizontal Beam Angle (50%)	101.7
Vertical Beam Angle (50%)	96.2
Horizontal Field Angle (10%)	131.9
Vertical Field Angle (10%)	129.3
Lumens Per Lamp	3300 (1 lamp)
Total Lamp Lumens	3300
Beam Lumens	1668
Beam Efficiency	51 %
Field Lumens	2027
Field Efficiency	61 %
Spill Lumens	77
Luminaire Lumens	2103
Total Efficiency	64 %
Total Luminaire Watts	44.63
Ballast Factor	1.00

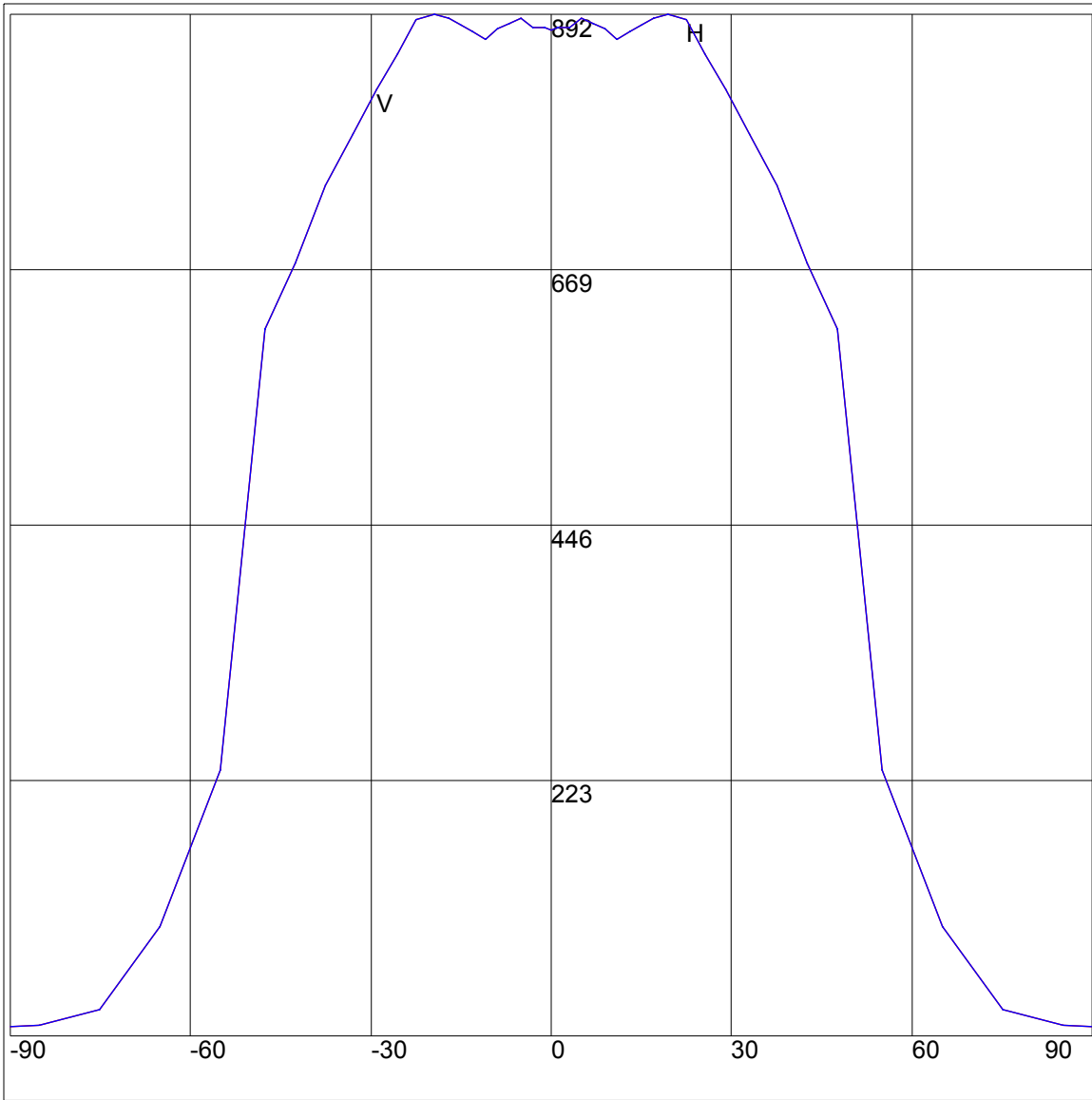


IES FLOOD REPORT
PHOTOMETRIC FILENAME : L01121405.IES

AXIAL CANDELA

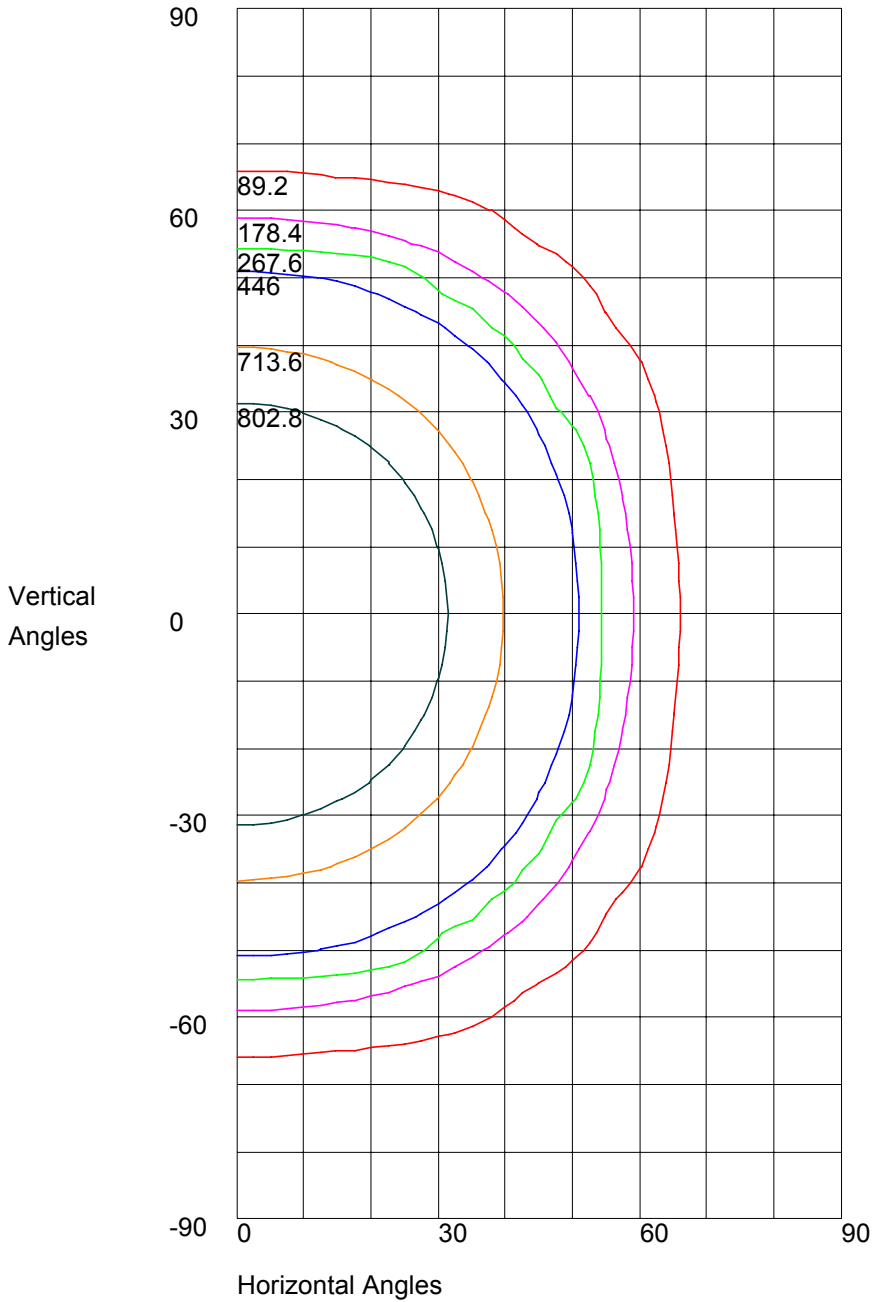
DEG.	HOR.	DEG.	VERT.
90	9	90	9
85	10	85	10
75	24	75	24
65	96	65	96
55	233	55	233
47.5	618	47.5	618
42.5	675	42.5	675
37.5	743	37.5	743
33	787	33	787
29	826	29	826
25.5	858	25.5	858
22.5	887	22.5	887
19.5	892	19.5	892
17	888	17	888
15	883	15	883
13	877	13	877
11	870	11	870
9	879	9	879
7	884	7	884
5	889	5	889
3	881	3	881
1	880	1	880
0	878	0	878
-1	880	-1	880
-3	881	-3	881
-5	889	-5	889
-7	884	-7	884
-9	879	-9	879
-11	870	-11	870
-13	877	-13	877
-15	883	-15	883
-17	888	-17	888
-19.5	892	-19.5	892
-22.5	887	-22.5	887
-25.5	858	-25.5	858
-29	826	-29	826
-33	787	-33	787
-37.5	743	-37.5	743
-42.5	675	-42.5	675
-47.5	618	-47.5	618
-55	233	-55	233
-65	96	-65	96
-75	24	-75	24
-85	10	-85	10
-90	9	-90	9

AXIAL CANDELA DISPLAY



Maximum Candela = 892 Located At Horizontal Angle = -19.5, Vertical Angle = -3
H - Horizontal Axial Candela
V - Vertical Axial Candela

ISOCANDELA CURVES



Maximum Candela = 892 Located At Horizontal Angle = -19.5, Vertical Angle = -3
50% Maximum Candela = 446
10% Maximum Candela = 89.2