

IES FLOOD REPORT
PHOTOMETRIC FILENAME : L01111212.IES

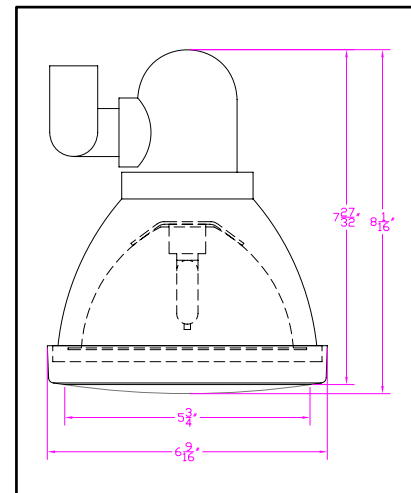
DESCRIPTIVE INFORMATION (From Photometric File)

IESNA:LM-63-2002
[TEST] L0111-1212
[TESTLAB] LIGHT LABORATORY, INC.
[ISSUE DATE] 1/26/2011
[MANUFAC] VISTA PROFESSIONAL OUTDOOR LIGHTING
[LUMCAT] 1096-B-CX-MH20-WFL
[LUMINAIRE] 6-9/16"DIA. X 8-1/16"H. UP AND ACCENT LIGHT
[MORE] 20W MH LAMP WITH WIDE FLOOD REFLECTOR
[MORE] CLEAR TEMPERED GLASS LENS
[BALLASTCAT] ADVANCE E-VISION IMH-G20-G-LF
[BALLAST] 120-277V 50/60Hz ELECTRONIC
[LAMPPOSITION] 0,0
[LAMPCAT] SYLVANIA MC20/TF/U/G6.5/830
[LAMPLUM] 1700
[INPUT] 120VAC, 23.28W

Note: Candela values converted from Type-C to Type-B

CHARACTERISTICS

NEMA Type	7 H x 7 V
Maximum Candela	418
Maximum Candela Angle	-22.5H -1V
Horizontal Beam Angle (50%)	101.9
Vertical Beam Angle (50%)	93.9
Horizontal Field Angle (10%)	136.3
Vertical Field Angle (10%)	133.0
Lumens Per Lamp	1700 (1 lamp)
Total Lamp Lumens	1700
Beam Lumens	774
Beam Efficiency	46 %
Field Lumens	965
Field Efficiency	57 %
Spill Lumens	36
Luminaire Lumens	1001
Total Efficiency	59 %
Total Luminaire Watts	23.28
Ballast Factor	1.00

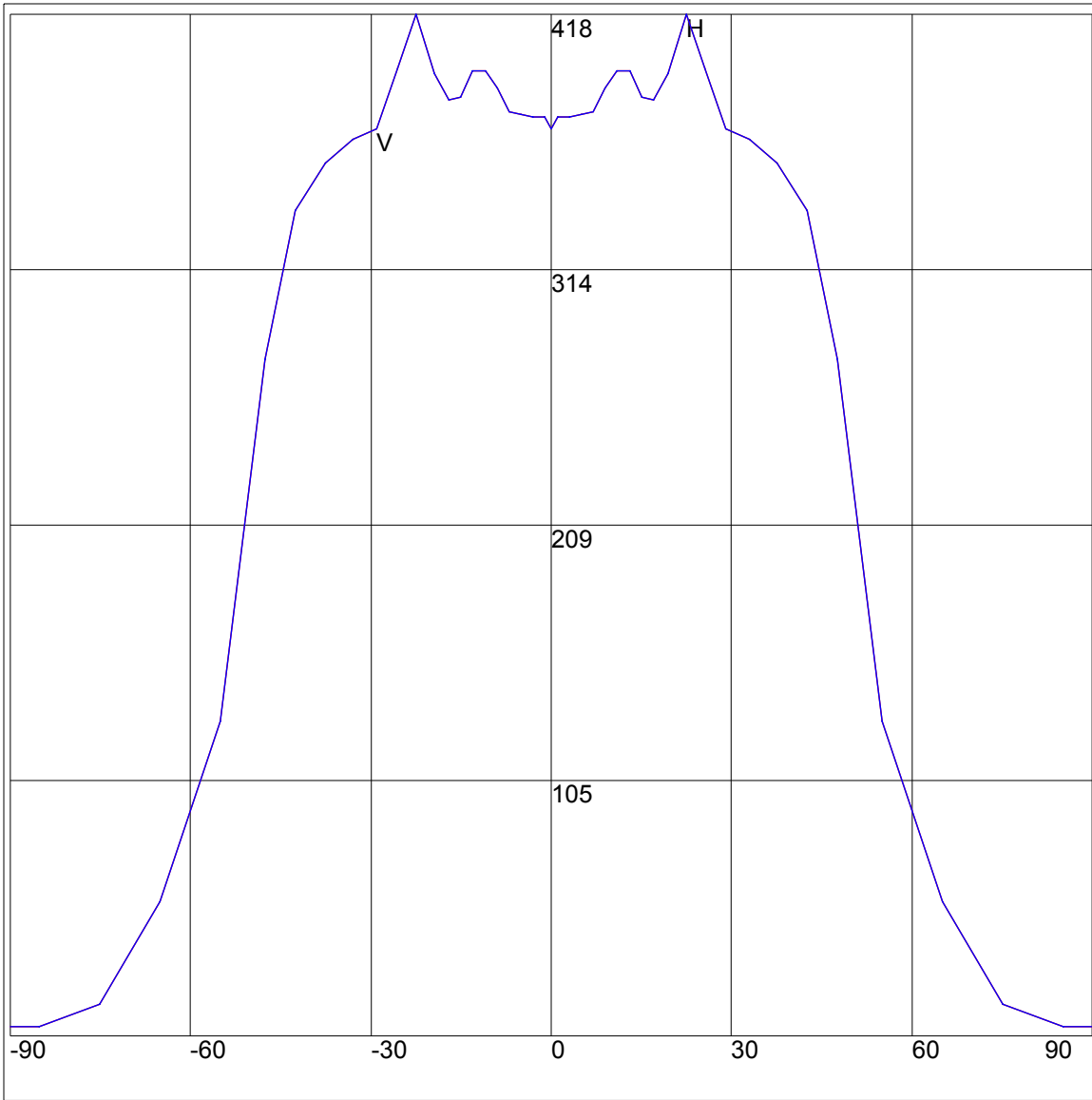


IES FLOOD REPORT
PHOTOMETRIC FILENAME : L01111212.IES

AXIAL CANDELA

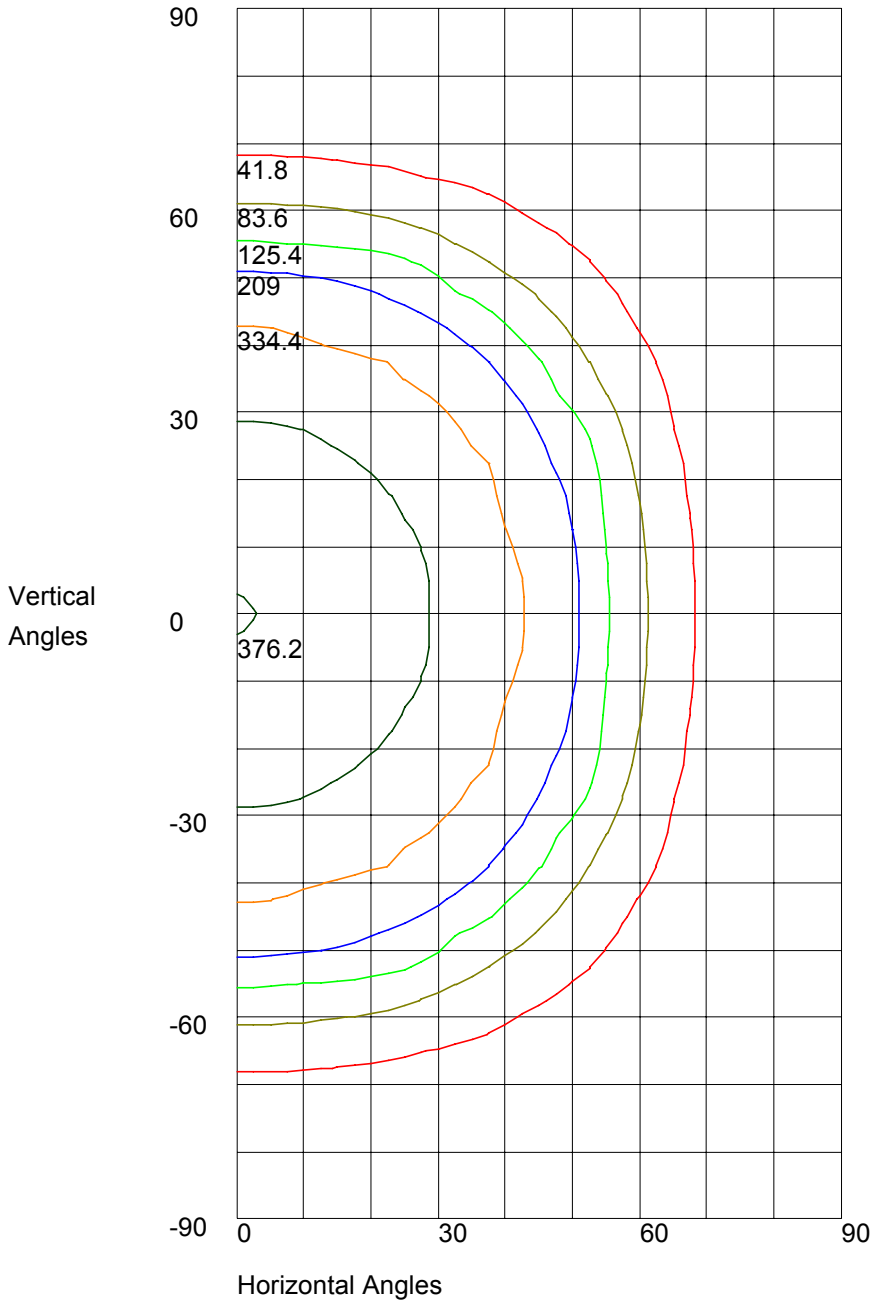
DEG.	HOR.	DEG.	VERT.
90	4	90	4
85	4	85	4
75	13	75	13
65	55	65	55
55	129	55	129
47.5	277	47.5	277
42.5	338	42.5	338
37.5	357	37.5	357
33	367	33	367
29	371	29	371
25.5	396	25.5	396
22.5	418	22.5	418
19.5	394	19.5	394
17	383	17	383
15	384	15	384
13	395	13	395
11	395	11	395
9	388	9	388
7	378	7	378
5	377	5	377
3	376	3	376
1	376	1	376
0	371	0	371
-1	376	-1	376
-3	376	-3	376
-5	377	-5	377
-7	378	-7	378
-9	388	-9	388
-11	395	-11	395
-13	395	-13	395
-15	384	-15	384
-17	383	-17	383
-19.5	394	-19.5	394
-22.5	418	-22.5	418
-25.5	396	-25.5	396
-29	371	-29	371
-33	367	-33	367
-37.5	357	-37.5	357
-42.5	338	-42.5	338
-47.5	277	-47.5	277
-55	129	-55	129
-65	55	-65	55
-75	13	-75	13
-85	4	-85	4
-90	4	-90	4

AXIAL CANDELA DISPLAY



Maximum Candela = 418 Located At Horizontal Angle = -22.5, Vertical Angle = -1
H - Horizontal Axial Candela
V - Vertical Axial Candela

ISOCANDELA CURVES



Maximum Candela = 418 Located At Horizontal Angle = -22.5, Vertical Angle = -1
50% Maximum Candela = 209
10% Maximum Candela = 41.8