

CGB1H

Composite HID In-Ground Ballast Box

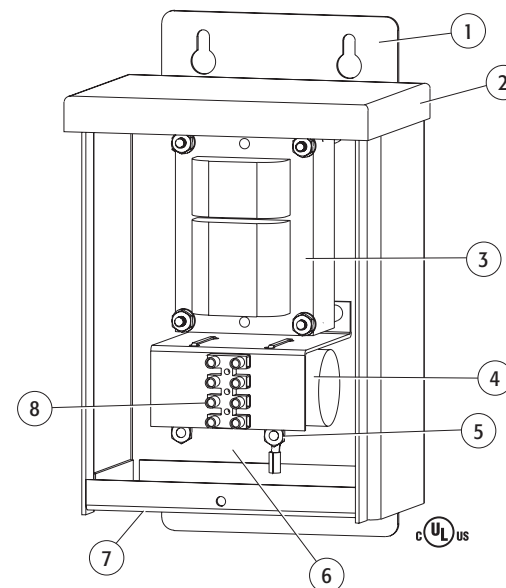
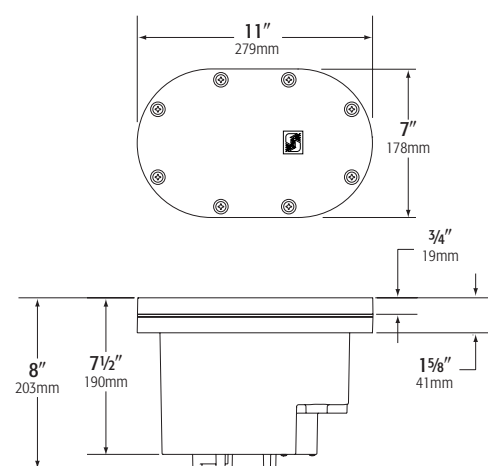
Vista's ballast box is constructed of an injection-molded, fiber-reinforced polymer, with heavy wall construction for strength and high UV stability. The integrally molded individual waterproof compartments separate ballast chamber from splice compartment. Splice compartment has two 3/4" NPT conduit entries for through wiring and one 1/2" NPT entry for remote access. The ballast chamber includes a die-cast aluminum heat sink, drop-in ballast bracket for quick and easy ballast installation and removal. The bracket provides a comfortable operating temperature for ballasts up to 175W. The cover is a textured-finished, injection-molded, fiber-reinforced polymer, provided with 1/2" NPSM hub for direct mounting of luminaire or blank for remote mount applications.

1. Composite cover with 1/2" NPSM hub for direct mount of luminaire
2. Blank composite cover for remote mount application
3. Stainless steel captive cover screws
4. Silicone gasket
5. Individual waterproof igniter/capacitor compartment
6. Individual waterproof splice compartment
7. Ground terminal
8. Conduit entry with two 3/4" NPT and one 1/2" NPT
9. Heavy-wall injection-molded polymer (Ryton™ R-4) box
10. Solid brass inserts
11. Fully encapsulated high-power factor ballast rated for -20°F starting, 120V standard
12. Drop-in aluminum heat-sink ballast bracket
13. Individual waterproof ballast chamber
14. Quick release ballast bracket handle

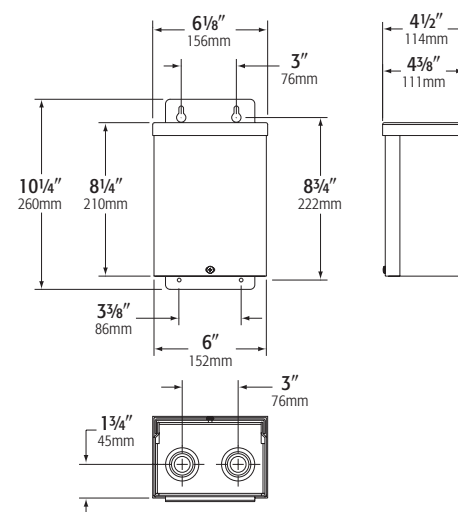
Maximum Distance Lamp to Ballast

Remote Ballast has limited starting distances. For lamp to operate efficiently, the distance from the lamp to ballast must not exceed the following:

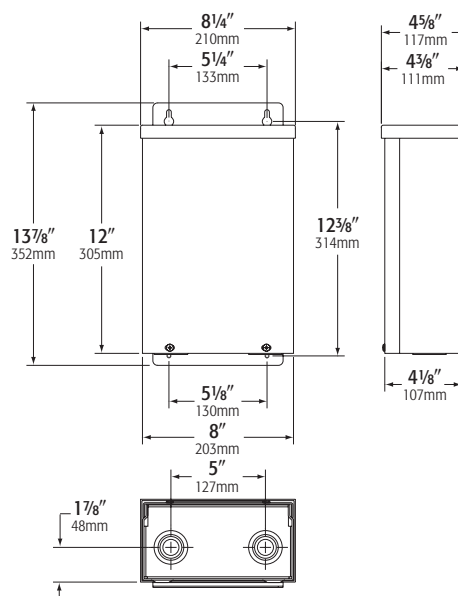
LAMP TYPE	MAXIMUM DISTANCE
35MH	50'
70MH	50'
100MH	50'
150MH	50'
175MH	175'
50MV	175'
100MV	175'
175MV	100'
35HPS	35'
50HPS	35'
70HPS	35'
100HPS	35'
150HPS	35'



RTB1 Single Ballast Box



RTB2 Twin Ballast Box



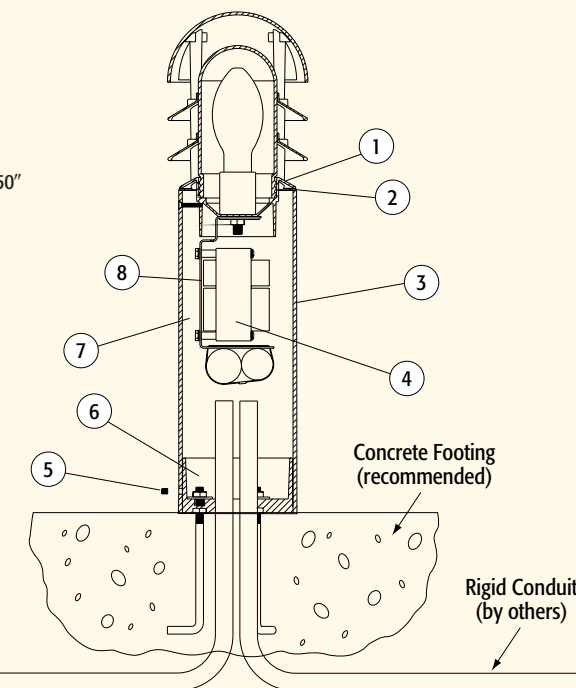
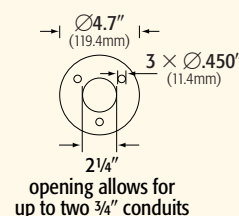
Above-Ground Ballast Box

Ballast Box is powder-coated steel. Designed for remote-mounted fixtures. Provided with two 1/2"-3/4" combination knockouts for convenient conduit entry. Ballast is High-Power-Factor, Rated for -20°F starting, with long-range igniters standard and multiple voltage primary. Available in either single or twin ballast configuration.

1. Mounting Bracket
2. Rugged Weatherproof Powder-Coated Box
3. Fully encapsulated high-power factor ballast rated for -20°F starting, 120V standard (Available in Single or Twin Ballast Configuration)
4. Long-Range Ignitor Standard
5. Ground terminal
6. Ample Splice Compartment
7. Conduit Entries
8. Euro-style high-temperature terminal block

HID Bollards with Integrated Ballast

Cast Aluminum Base



1. Bollard Optics Base
2. One-Piece Silicone Gasket
3. 5" Diameter Extruded Aluminum Post
4. Fully encapsulated high-power factor ballast rated for -20°F starting, 120V standard
5. Stainless Steel Set Screws
6. Cast Aluminum Mounting Base
7. Ballast Compartment
8. Ballast Bracket-Mounted to Base for Easy Access

