

**Specifications**

**HOUSING:** Copper-free cast aluminum.  
**POST:** Heavy-gauge extruded aluminum (1/8" wall thickness).  
**FINISH:** Polyester powder-coated finish available in Black, Verde, Architectural Brick, Architectural Bronze, Granite, Pewter, Terracotta, Rust, Hunter Green, Mocha, Weathered Bronze, Weathered Iron, and White.  
**SOCKET/LAMP HOLDER:** Top grade ceramic socket with nickel contacts, stainless steel springs, and Teflon-jacketed wire leads.



**8202 Aluminum** T3 or LED  
 20 W Max cUL US LN-10 T3 Hal. Std.

**LENS:**

- **2500** – Clear, machined, fiber-optic quality acrylic lens, fitted to the housing with a silicone gasket to provide a superior weather-tight seal.
- **8202, 8203, 8204, 8205** – Frosted, high-impact, polycarbonate lens, silicone sealed to the housing.
- **9223, 9224, 9225, 9226** – Clear, prismatic, high-impact, polycarbonate lens fitted to the housing with a flat neoprene gasket to provide a superior weather-tight seal.

**LAMP TYPE:** Standard lamp included with fixture. For other lamp and wattage options see Lamp Guide, pages 138–139.

**PHOTOMETRICS:** For photometric data, see pages 157–158.

**MOUNTING:**

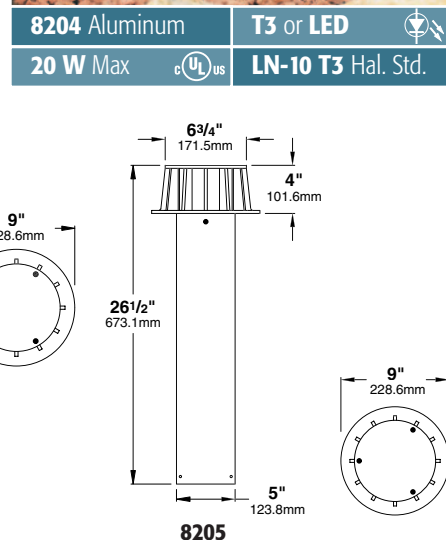
- **8202** – 1/2" NPT with a non-corroding ABS ground stake included.



**2500 Aluminum** MR-16 or LED  
 35 W Max cUL US LN-20 BAB Std.



**8203 Aluminum** T3 or LED  
 20 W Max cUL US LN-10 T3 Hal. Std.



**8204 Aluminum** T3 or LED  
 20 W Max cUL US LN-10 T3 Hal. Std.



**8205 Aluminum** T3 or LED  
 20 W Max cUL US LN-10 T3 Hal. Std.



**8203 Aluminum** T3 or LED  
 20 W Max cUL US LN-10 T3 Hal. Std.

**8205 Aluminum** T3 or LED  
 20 W Max cUL US LN-10 T3 Hal. Std.

**LED Specifications**

**LED:** Type 3 Luxeon High Output LED with Vista exclusive smart-driver, powered to operate for 50,000 hours.  
**ELECTRICAL:** Input voltage range 6–15V AC, regulated to achieve uniform illumination throughout the cable run of fixtures. Integral surge and reverse polarity protection.

- **2500, 8203, 8204, 8205** – Aluminum mounting base included. Non-corroding ABS ground stake for ground mounting and foundation anchor rods for permanent cement installation also provided.
  - **9223, 9224, 9225, 9226** – Direct-burial post. (Post extended 12" for in-ground or concrete mounting.)
- FASTENERS/INSERTS:** All fasteners are stainless steel.  
**WIRING:** All fixtures are prewired with a three-foot pigtail of 18-2 direct-burial cable and underground connectors for a secure connection to the supply cable.



**9223 Alum.** T3 or LED  
 20 W Max LN-10 T3 Hal. Std.



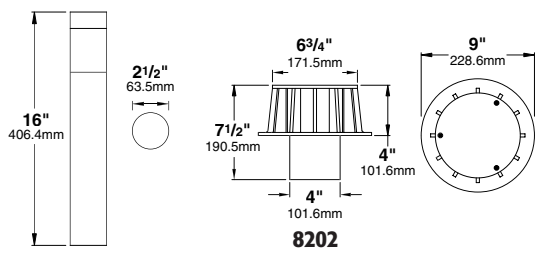
**9224 Alum.** T3 or LED  
 20 W Max LN-10 T3 Hal. Std.



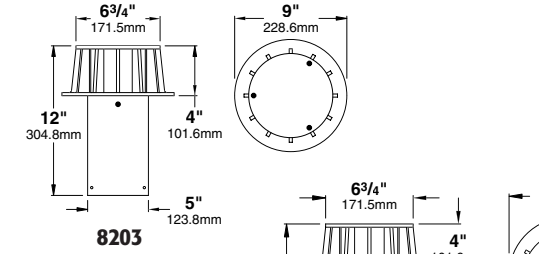
**9225 Alum.** T3 or LED  
 20 W Max LN-10 T3 Hal. Std.



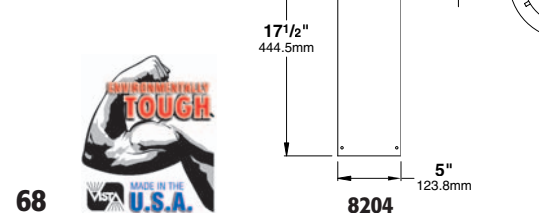
**9226 Alum.** T3 or LED  
 20 W Max LN-10 T3 Hal. Std.



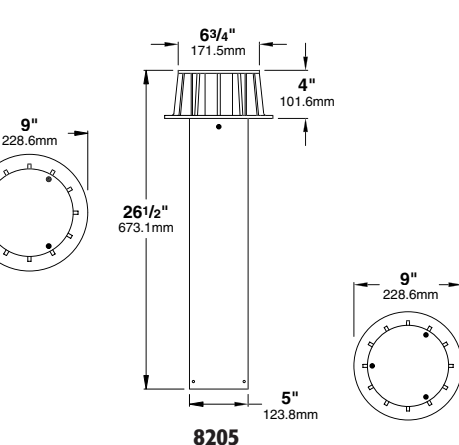
**2500**



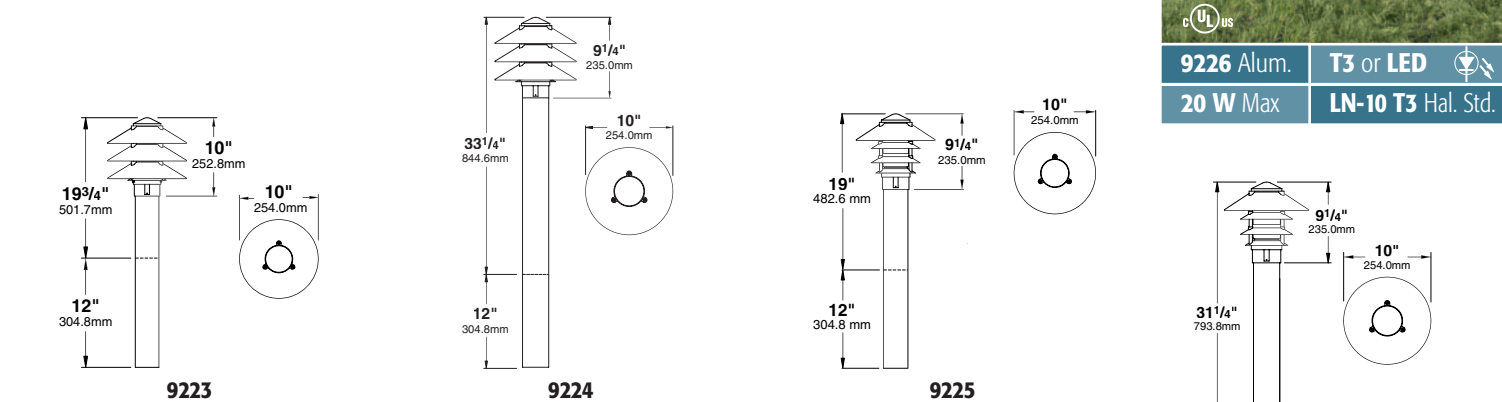
**8203**



**8204**



**8205**



**FIXTURE ORDERING INFORMATION**

**TO ORDER FIXTURE:** Select appropriate choice from each column as in the following example.

**EXAMPLE: BR-8202-B-10 T3-RS**

MOUNTING	CATALOG NO.	FINISH	LAMP	ACCESSORIES
BR – Ground and concrete mounting kit incl.	2500*	B – Black	(Please see lamp order code column on lamp guide, pages 138–139.)	RS – 180° reflector shield
	8202	G – Verde		
	8203	BR – Architectural Brick		
	8204	Z – Architectural Bronze		
	8205	GT – Granite		
	9223**	P – Pewter		
	9224**	TC – Terracotta		
	9225**	R – Rust		
	9226**	HG – Hunter Green	LED (Please see LED order code column on lamp guide, page 142, Group C.)	(RS – 180° reflector shield not available for model 2500.)
		M – Mocha		
		WB – Weathered Bronze		
		WI – Weathered Iron		
		W – White		

Not all accessories are available for all fixtures, please see all footnotes below before ordering.

Fixtures shipped with standard lamp, unless otherwise specified.

Fixtures shipped with specified mounting hardware.

**Note:** 180° reflector shield may be easily cut by installer to desired spread angle.

\* RS – 180° reflector shield not available for model 2500.

\*\* Models 9223, 9224, 9225, and 9226 are direct mount only. No concrete mounting kit required.

Check throughout this catalog for the LED available logo, designating products that can be ordered with LED lamp assemblies.

