

## Specifications

### HOUSING:

- **2216, 3116, 3316** – Die-cast, copper-free aluminum.
- **2316** – Cast solid brass.
- **2416, 3216, 3416** – Injection-molded, fiber-reinforced polymer, specially formulated to accept all Vista polyester powder-coated finishes, adding strength and exceptional UV stability – warranted for ten years against corrosion.

### SHROUD:

- **2216, 3116, 3316** – Die-cast, copper-free aluminum fitted to the housing with dual silicone

o-ring gaskets – providing a superior weather-tight seal.

- **2316** – Cast, solid brass fitted to the housing with dual silicone o-ring gaskets – providing a superior weather-tight seal.
- **2416, 3216, 3416** – Injection-molded, fiber-reinforced polymer fitted to the housing with dual silicone o-ring gaskets – providing a superior weather-tight seal.

### FINISH:

- **2216, 2416, 3216, 3316, 3416** – Polyester powder-coated finish available in Black, Verde, Architectural Brick, Architectural Bronze, Granite, Pewter, Terracotta, Rust, Hunter Green, Mocha, Weathered Bronze, Weathered Iron, and White.

- **2316** – Natural brass.

### SOCKET/LAMP

**HOLDER:** Top grade ceramic socket with nickel contacts, stainless steel springs, and Teflon-jacketed wire leads.

**LENS:** Clear, tempered, shock- and heat-resistant soda-lime glass lens. Optical effect lenses are available, please see accessories column on fixture ordering information.

**LAMP TYPE:** Standard lamp included with fixture. For other lamp and wattage options see Lamp Guide, pages 138–139.

**PHOTOMETRICS:** For photometric data, see pages 143–145.

### MOUNTING:

- **2216, 2416, 3116, 3216, 3316, 3416** – Injection-molded, fiber-reinforced polymer adjustable knuckle with 1/2" NPT.
- **2316** – Cast brass adjustable knuckle with 1/2" NPT.

Fixture may be mounted into threaded hubs in junction boxes, ground stakes, tree-mount boxes, or mounting canopies. Please see fixture ordering information for mounting selection. (For optional mounting accessories see pages 134–135.)

**FASTENERS/INSERTS:** All fasteners are stainless steel with brass inserts.

**WIRING:** All fixtures are prewired with a three-foot pigtail of 18-2 direct-burial cable and underground connectors for a secure connection to the supply cable.



<b>2316</b> Brass	<b>MR-16</b> or <b>LED</b>
<b>20 W</b> Max	<b>LN-20 BAB</b> Std.



<b>3116</b> Aluminum	<b>MR-16</b> Lamp
<b>35 W</b> Max	<b>LN-20 BAB</b> Standard



<b>3416</b> Composite	<b>MR-16</b> Lamp or <b>LED</b>
<b>75 W</b> Max	<b>LN-20 BAB</b> Standard



<b>3216</b> Composite	<b>MR-16</b> Lamp or <b>LED</b>
<b>35 W</b> Max	<b>LN-20 BAB</b> Standard



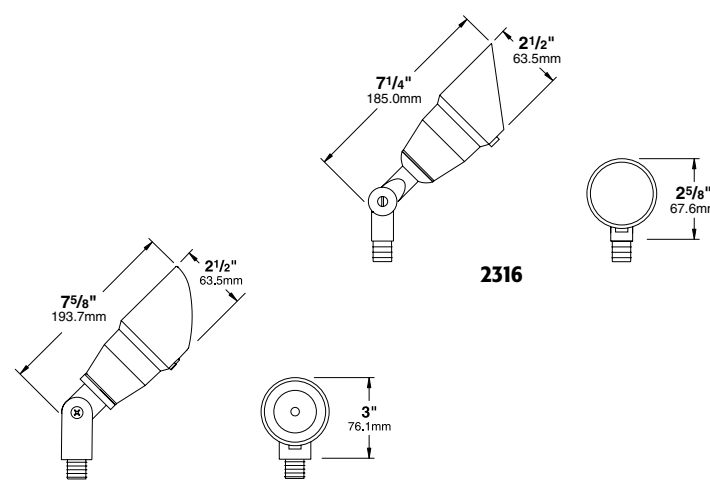
<b>2216</b> Aluminum	<b>MR-16</b> Lamp or <b>LED</b>
<b>50 W</b> Max	<b>LN-20 BAB</b> Standard

## LED Specifications

**LED:** Type 3 Luxeon High Output LED with Vista exclusive smart-driver, powered to operate for 50,000 hours.

**OPTICS:** Integral high-efficiency optics available in spot through flood beam spreads.

**ELECTRICAL:** Input voltage range 6–15V AC, regulated to achieve uniform illumination throughout the cable run of fixtures. Integral surge and reverse polarity protection.



<b>3316</b> Aluminum	<b>MR-16</b> Lamp or <b>LED</b>
<b>75 W</b> Max	<b>LN-20 BAB</b> Standard



Not all accessories are available for all fixtures – please see all footnotes below before ordering.

## FIXTURE ORDERING INFORMATION

**TO ORDER FIXTURE:** Select appropriate choice from each column as in the following example.

**EXAMPLE: GR-2216-B-BAB-FR-HL**

MOUNTING	CATALOG NO.	FINISH	LAMP	ACCESSORIES
GR – ABS ground stake incl.	<b>2216</b>	<b>B</b> – Black	(Please see lamp order code column on lamp guide, pages 138–139.)	<b>BL</b> – Flat Cool Blue lens
WR – Wall-mount canopy incl.	<b>2416</b>	<b>G</b> – Verde		<b>SL</b> – Flat Spread lens
TR – Tree-mount junction box incl.	<b>3116</b>	<b>BR</b> – Architectural Brick		<b>FR</b> – Flat Frosted lens
WB – Solid brass wall-mount canopy incl.	<b>3216</b>	<b>Z</b> – Architectural Bronze		<b>CX</b> – Convex Clear lens
	<b>3316</b>	<b>GT</b> – Granite		<b>CFR</b> – Convex Frosted lens
	<b>3416</b>	<b>P</b> – Pewter		<b>DBL</b> – Flat Dark Blue lens
		<b>TC</b> – Terracotta		<b>GL</b> – Flat Dark Green lens
		<b>R</b> – Rust		<b>RL</b> – Flat Red lens
		<b>HG</b> – Hunter Green		<b>YL</b> – Flat Amber lens
		<b>M</b> – Mocha		
		<b>WB</b> – Weathered Bronze		<b>HL</b> – Honeycomb louver
		<b>WI</b> – Weathered Iron		
		<b>W</b> – White		
	<b>2316</b>	<b>CSN</b> – Natural Brass	<b>LED</b> (Please see LED order code column on lamp guide, page 142, Group A.)	

Fixtures shipped with standard lamp, unless otherwise specified.

Fixtures shipped with specified mounting hardware.



Check throughout this catalog for the LED available logo, designating products that can be ordered with LED lamp assemblies.

