



INSTALLATION INSTRUCTIONS

IMPORTANT NOTE:

- Luminaire must be installed and grounded in accordance with the National Electrical Code (NEC) and local codes.
- All conduit entries must be sealed from moisture. Use appropriate sealing material on conduit fittings and conduit closure plugs.
- Luminaire is wet location listed and suitable for in-grade mounting in concrete or other supportive surface materials (not for installation in soil).

WARNING: Debris must be kept clear of side openings of Spider Cover Plate. Debris accumulation could result in excessive heat build-up and create a fire hazard. Failure to keep fixture clear of debris will void warranty and may result in injury and / or damage to the fixture or property.

MAINTENANCE: To assure proper performance, the lens/openings must be kept clear of debris, dirt, leaves and trash. A regular schedule maintenance program is recommended.

NOTE: Save these instructions for future reference.

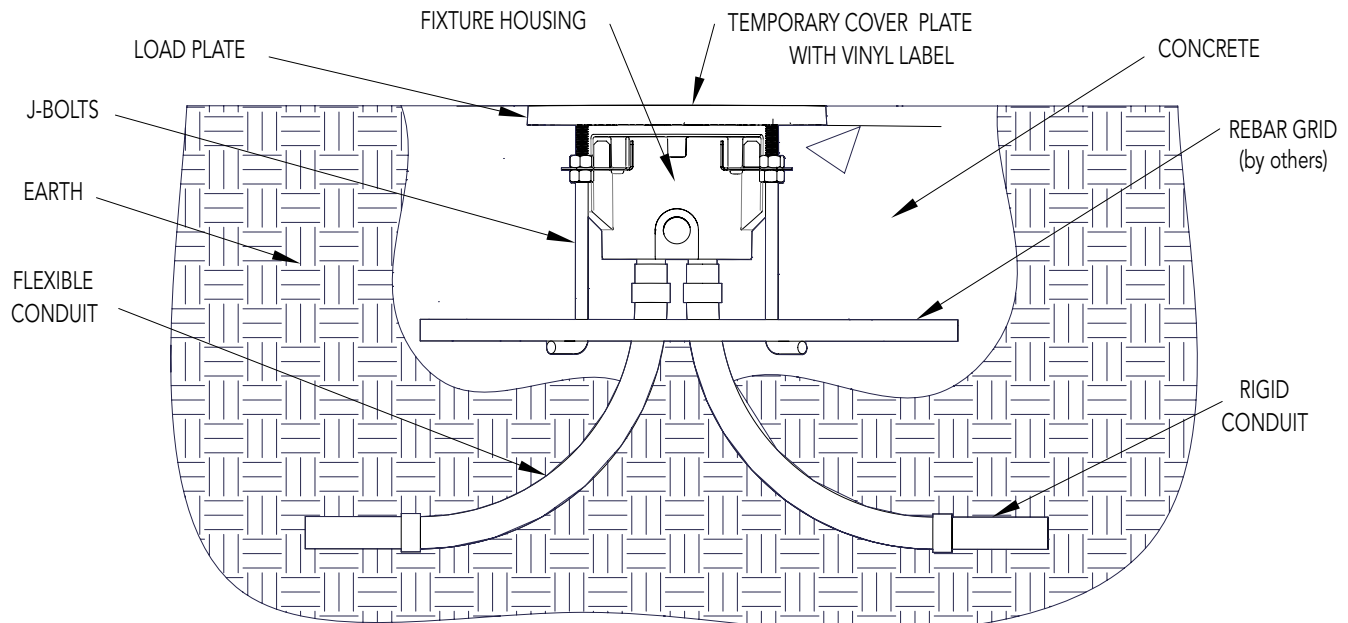


CONCRETE POUR INSTALLATION:

IMPORTANT NOTE: Temporary cover plate and vinyl label must remain in place during housing installation.

PRECAUTION: The J-Bolts affixed to the Load Plate must be secured to a suitable rebar grid (by others). The top of the Vinyl Label, Load Plate, and Temporary Cover Plate must be FLUSH with finished grade.

1. To prevent electrical shock, turn main power off at circuit breaker.
2. Dig a hole approximately 12" in diameter to a depth suitable to make top of temporary cover plate and Load Plate FLUSH with finished grade.
3. Connect conduit to housing. UL listed flexible conduit is recommended for in and out connections to ease fixture positioning.
4. Plug any unused NPT holes with closure plugs (provided).
5. Position fixture within the hole and back fill with pea gravel or suitable base material. The uppermost layer, 6" minimum, should be left for poured concrete.
6. To keep Fixture housing from floating during the concrete pour, the J-Bolts affixed to Load Plate should be secured to the rebar grid (by others) using standard masonry methods.
7. To pull supply conductor wiring, first remove and retain the Vinyl Label and Temporary Cover Plate. Retain the Temporary Cover Plate screws.
8. Pull electrical supply wires (line in) through conduit opening. Stuff the wire loop back through the conduit opening (line out).
9. Using the cover screws, reinstall the Temporary Cover Plate and Vinyl Label.
10. Cast the assembly in a minimum of 6" of concrete, making sure the Temporary Cover Plate and Vinyl Label are in place, and making sure that concrete flows completely under the Load Plate to provide proper load bearing properties. **Trowel concrete so it is even with the top of the Load Plate and Vinyl Label.**
11. Allow the concrete to fully cure before proceeding with the installation of the COB Lamp Module.



Vista Professional Outdoor Lighting reserves the right to modify the design and/or construction of the fixture shown without further notification.

COB LAMP MODULE/SPIDER COVER INSTALLATION:

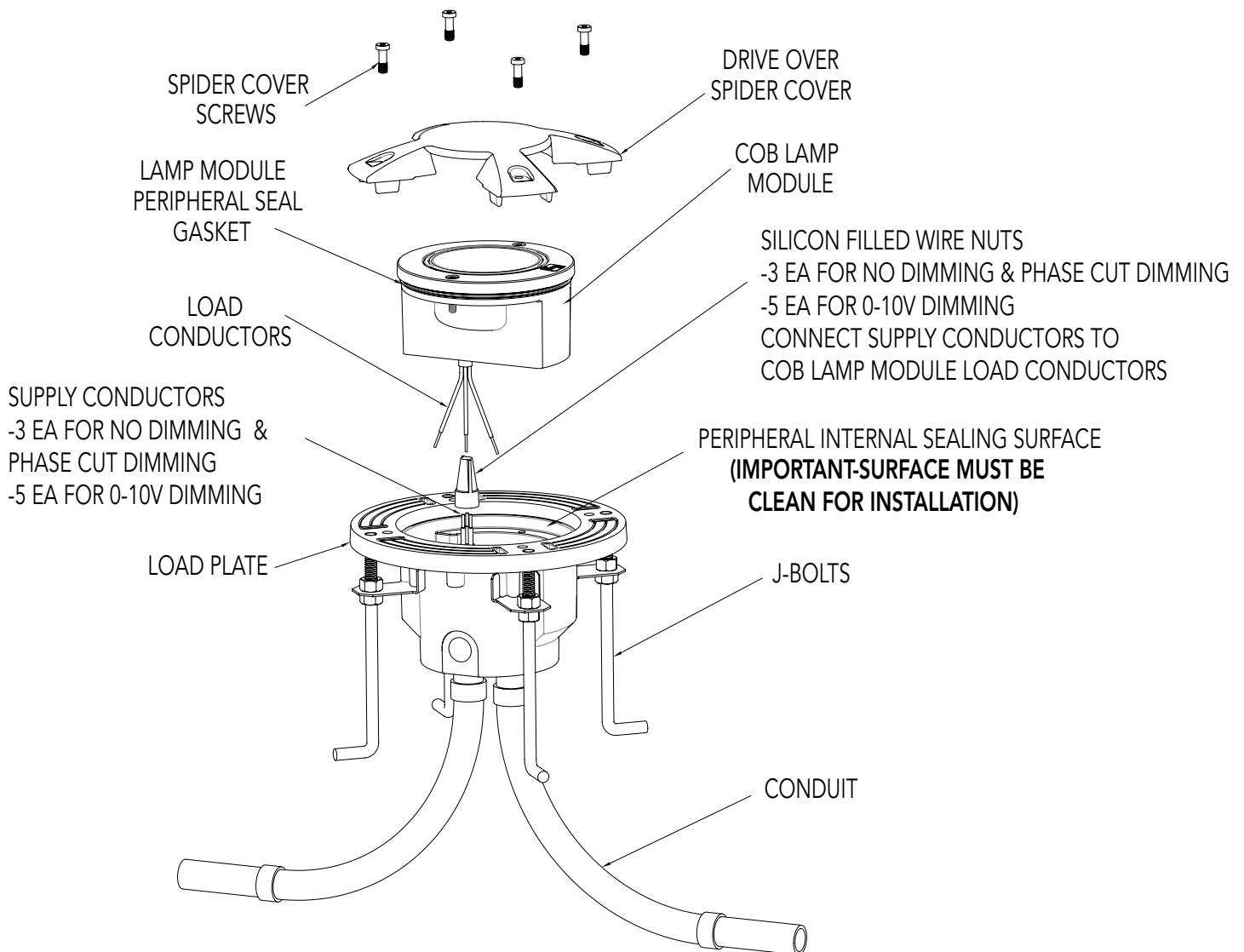
1. To prevent electrical shock, turn main power off at the main circuit.
2. Remove Vinyl Label and Temporary Cover Plate. Recycle or discard Cover Plate.
3. Using silicon filled wire nuts (provided), connect the Supply Conductors from the incoming service to the load conductors of the COB Module noting the following polarity:

Supply (+) to Load (Black)
Supply (-) to Load (White)
Supply (Ground) to load (Green)

If 0-10V dimming is used:

Dimming supply (+) to Dimming Load (Purple)
Dimming supply (-) to Dimming Load (Grey)

4. **Ensure that the peripheral sealing surface of the Rough-In Section housing is clean & free of debris. Wipe clean with a moist cloth or towel if necessary.**
5. Fully insert the COB Lamp Module into the Rough-In Section, taking care not to pinch any supply conductors or dislodging the Lamp Module Peripheral Seal Gasket.
6. Tighten the two captive module screws fully. **DO NOT OVERTIGHTEN.**
7. Mount the Drive Over Spider Cover onto the Load Plate, interlocking the eight tabs on the Spider Cover into the Load Plate. Fully tighten the four Spider Cover Screws. When half shield is used, ensure that the light is emitted in the desired direction.
8. Supply power to the luminaire and check for proper operation.



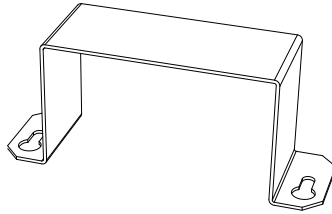
Vista Professional Outdoor Lighting reserves the right to modify the design and/or construction of the fixture shown without further notification.



MODULE REMOVAL

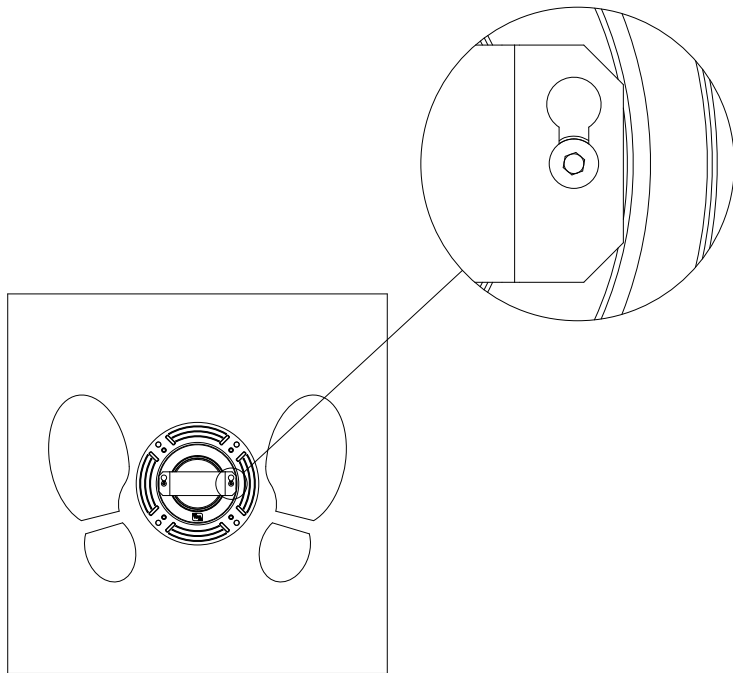
1180 LAMP MODULE PULLER

Retain for future use to remove lamp module from fixture housing.

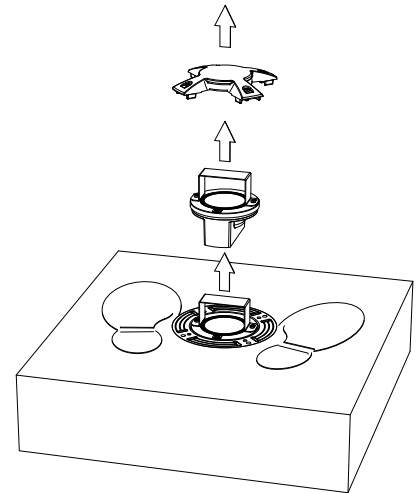


INSTRUCTIONS TO REMOVE LAMP MODULE:

1. Loosen the screws and remove the drive over spider cover.
2. Completely loosen and lift up on the 2 screw heads of the lamp module.
3. Pass the 2 screw heads through the holes in the lamp module puller and hook the screw heads into the narrow slots of the puller.
4. To remove the lamp module, position your feet on both sides of the fixture and firmly lift straight up (Do not turn).



Steps 1, 2 & 3



Step 4