



MODEL 1504 | Glass Door | Specification Sheet
Commercial Series • Step & Marker • LED

TYPE: MODEL:
PROJECT:

PRODUCT FEATURES



| | | |
|--------------|--|------------------------------|
| Wattage | 10 W [WHITE] | 8 W [AMBER] |
| Voltage | 120 – 277 VAC | |
| Lumens | 506 Delivered Lumens [WHITE] | 207 Delivered Lumens [AMBER] |
| Distribution | No-glare, sharp cut-off optics | |
| CCT | 2700K, 3000K, 3500K, 4000K [WHITE] | 595nm [AMBER] |
| CRI | 80 CRI min. [WHITE] | |
| Dimming | 0-10V or Phase Cut (TRIAC/ELV-120VAC only) available | |
| Driver | Constant current Class 2 Output | |
| Dimensions | 8¼" H x 3¼" W x 4½" D | |



ORDERING INFORMATION

EXAMPLE: 1504-GB-B-27-MV-PCT-CP-ER-1504-1

| MODEL | DOOR COVER | FINISH | COLOR TEMP | VOLTAGE | DIMMING | HOUSING | MOUNTING | ACCESSORIES |
|-------|------------|--------|------------|---------|---------|---------|----------|-------------|
| 1504 | GB | B | | MV | | CP | | |

| MODEL | DOOR COVER | FINISH | COLOR TEMP | VOLTAGE |
|---|------------------------|------------------------|---|--|
| 1504 | GB Glass Border | B Black | 27 2700°K 30 3000°K 35 3500°K 40 4000°K AMB 595 nm | MV Multi Volt |
| DIMMING | HOUSING | MOUNTING | ACCESSORIES | ORDERING NOTES |
| ND Non Dimming 010 0-10V PCT Phase Cut (TRIAC/ELV-120VAC only) | CP Composite | FT Flush Tray * | ER-1504-1 (1 Extension Ring) ER-1504-2 (2 Extension Rings) ER-1504-3 (3 Extension Rings) DF1 Diffuser Film | * Flush tray optional. No code required for standard mounting. |



PROFESSIONAL OUTDOOR LIGHTING

www.VistaPro.com • email@vistapro.com • Fax: (888) 670-VISTA (8478)
1625 Surveyor Avenue • Simi Valley, CA 93063 • (805) 527-0987 • (800) 766-VISTA (8478)

Vista Professional Outdoor Lighting reserves the right to modify the design and/or construction of the fixture shown without further notification.



SPECIFICATIONS

HOUSING:

Injection-molded fiber-reinforced polymer Rough-in box with threaded brass inserts. UV stable.

DOOR COVER / LENS:

Tempered, shock and heat-resistant soda-lime glass.

FINISH:

Glass Border available in Black.

REFLECTOR:

Segmented specular lighting sheet.
No glare fixed optics.

MOUNTING:

Rough-in box designed for installation in concrete, brick/block, wood frame construction (non-IC) and insulated walls (IC).

FASTENERS/INSERTS:

All fasteners are stainless steel.

CERTIFICATION:

UL Listed to U.S. & Canadian (cUL) safety standards (UL 1598). Suitable for wet locations. IP66.

LED:

Integrated LED module.

- **White:** 506 Lumens delivered | 10 Watts
- **Amber:** 207 Lumens delivered | 8 Watts

COLOR TEMPERATURE:

- **White:** 2700K, 3000K, 3500K or 4000K CCT
- **Amber:** 595 nM

COLOR RENDERING:

80 CRI minimum [WHITE]

BUG RATING:

- **White:** B0 – U2 – G1
- **Amber:** B0 – U1 – G1

OPTICS/AIMING:

No-glare, sharp cut-off optics.

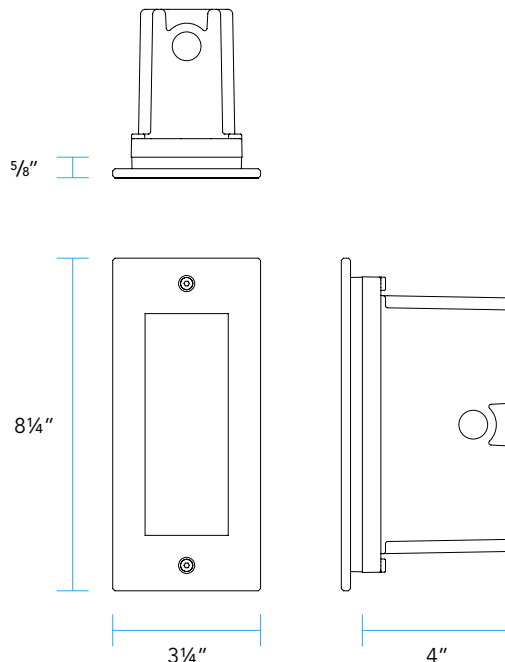
DRIVER:

Integral cUL listed Class 2 LED driver, either non-dimmable ND or dimmable. Dimming: 0-10V and Phase Cut (TRIAC/ELV-120VAC only) options available.

ELECTRICAL:

Universal voltage input (120- 277VAC) Suitable for through branch wiring. Four ½" NPT conduit entry hubs with knockout membrane standard.

DIMENSIONS



IMPORTANT NOTE:

Door cover will sit proud of front face of Rough-in box (typically finished surface) by 5/8". For a flush Door Cover appearance, the Flush Tray (FT) MOUNTING must be used.

