



STAINLESS TRIM RING (STR) ACCESSORY INSTALLATION INSTRUCTIONS

IMPORTANT NOTE:

- Luminaire must be installed and grounded in accordance with the National Electrical Code (NEC) and local codes.
- All conduit entries must be sealed from moisture. Use appropriate sealing material on conduit fittings and conduit closure plugs.
- Luminaire is wet location listed and suitable for mounting in-grade.
- Suitable for all types of construction including poured concrete construction and in soil applications.
- Suitable for through wiring: Max. of (4) No. 12 AWG conductors (plus ground) rated for 90°C.

WARNING: Debris must be kept clear from top and interior of in-grade fixtures. Excessive heat could occur that may create a fire hazard and/or harm the fixture components. Specific attention must be made to never install in-grade fixtures in mulch, wood chips or other potentially ignitable materials. Failure to do so will void the warranty and may result in serious injury and/or damage to the fixture and/or property.

SAFETY WARNING: Luminaire can become very hot depending on the lamp wattage used. Lens and housing around the lamp can become hot enough to blister hands. Particular care should be taken not to locate luminaires where small children can reach them if high wattage lamps are used.

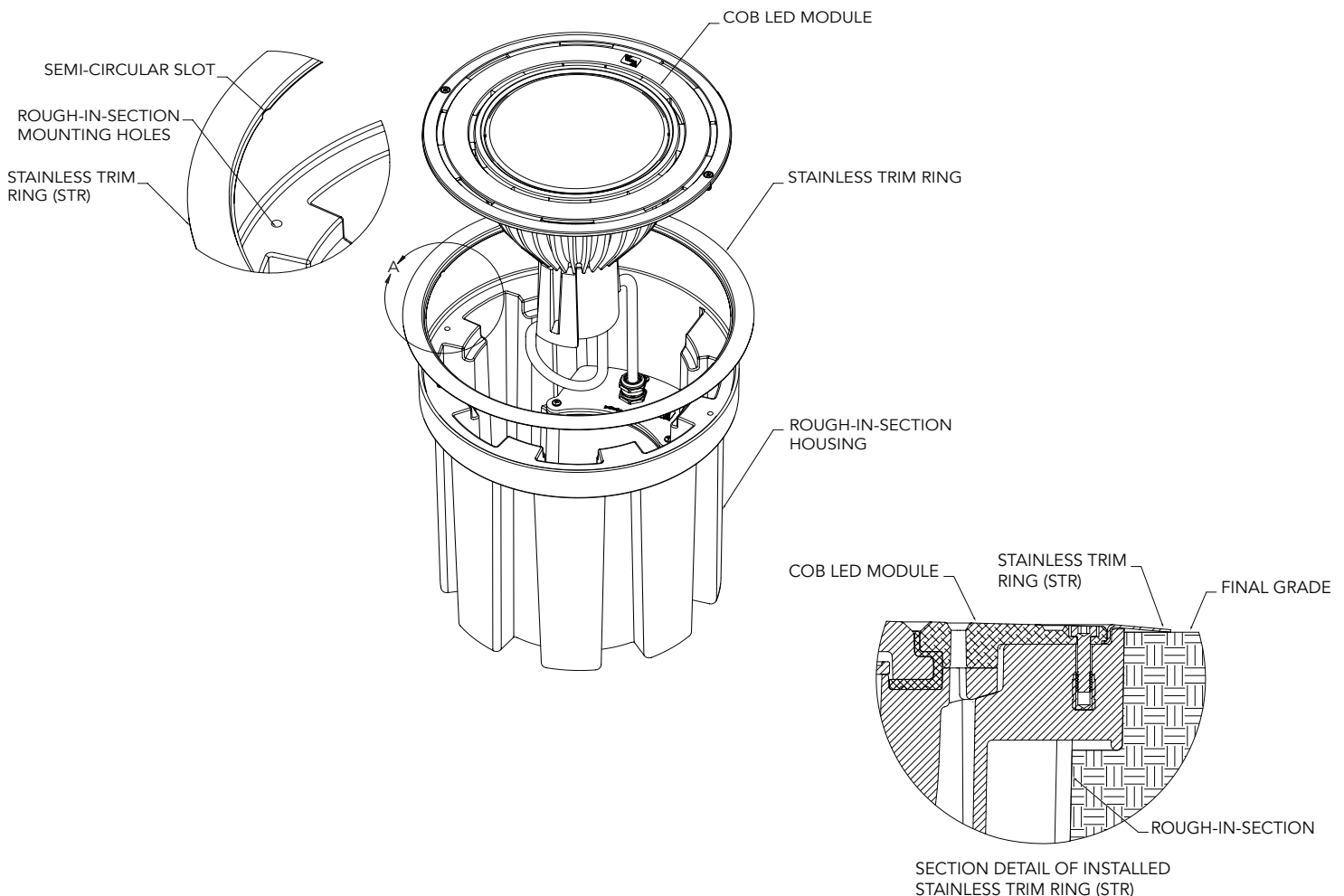
MAINTENANCE: To assure proper operation and efficiency and to prevent luminaire overheating, lens must be kept clean and free of dirt, dust, leaves, trash and mineral deposits from water. A regular schedule maintenance program is recommended.

NOTE: Save these instructions for future reference.



TRIM RING INSTALLATION:

1. Install the Rough-In-Section housing per the instructions supplied with the sub-assembly.
2. Prior to installing the COB LED Module, lay the Stainless Trim Ring (STR) into the upper lip of the Rough-In Section as shown below. For the 1188 Series, there are two semi-circular cutouts that need to be aligned over the door screw holes in the Rough-In Section.
3. Follow steps 3-21 on the COB LED Module and J-Box Installation Instructions.



Vista Professional Outdoor Lighting reserves the right to modify the design and/or construction of the fixture shown without further notification.