



## INSTALLATION INSTRUCTIONS

**IMPORTANT NOTE:**

- Luminaire must be installed and grounded in accordance with the National Electrical Code (NEC) and local codes.
- All conduit entries must be sealed from moisture. Use appropriate sealing material on conduit fittings and conduit closure plugs.
- Luminaire is wet location listed and suitable for mounting semi recessed into outer housing sleeve.
- Suitable for through wiring: Max. of (4) No. 12 AWG conductors (plus ground) rated for 90°C.

**WARNING:** Debris must be kept clear from top and interior of in-grade fixtures. Excessive heat could occur that may create a fire hazard and/or harm the fixture components. Specific attention must be made to never install in-grade fixtures in mulch, wood chips or other potentially ignitable materials. Failure to do so will void the warranty and may result in serious injury and/or damage to the fixture and/or property.

**MAINTENANCE:** To assure proper operation and efficiency and to prevent luminaire overheating, lens must be kept clean and free of dirt, dust, leaves, trash and mineral deposits from water. A regular schedule maintenance program is recommended.

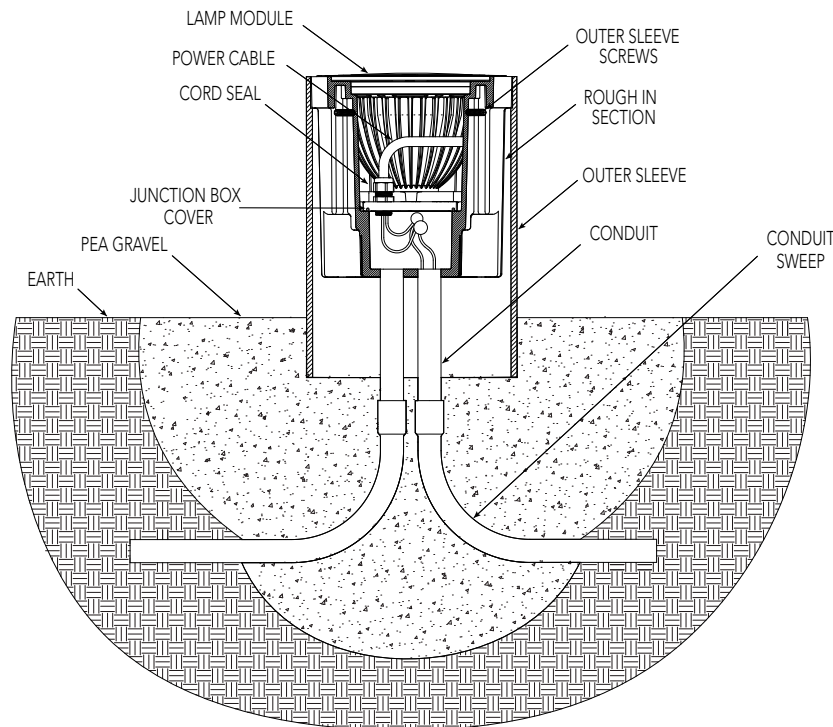
**NOTE:** Save these instructions for future reference.

**NOTE:** To prevent electric shock, turn main power off at circuit breaker. **DO NOT INSTALL FIXTURE WHILE SYSTEM IS ENERGIZED.**



**1185SE/1188SE SEMI RECESSED INSTALLATION:**

1. Install conduit in the Rough-In Section bottom hub such that the conduit extends beyond the length of the Outer Sleeve.
2. Place the Rough-In Section (RIS) into the Outer Sleeve and secure the RIS with screws. (RIS top should be flush to the top of the Outer Sleeve).
3. Connect conduit sweeps to the conduit lengths installed into the RIS to align with horizontal conduit runs as required.
4. Excavate a hole to the desired depth and approx. 8"-12" larger in diameter than the Outer Sleeve diameter.
5. Place the Sleeve/RIS/conduit assembly into the hole and position as desired. Backfill around and below the Outer Sleeve to anchor the assembly into place.
6. NOTE: - Provide a minimum of 6" of pea gravel at the bottom of the housing tube for drainage.
7. Connect the conduit from the assembly to supply conduit trenched and buried in compliance with NEC standards for outdoor buried conduit.
8. Remove the junction box cover inside the RIS and pull electrical supply conductors.
9. Connect the power cable from the Lamp Module into the Junction Box Cover using watertight cord seal.
10. Connect the supply conductors to the power cable.
11. Replace the Junction Box cover, ensuring the Junction Box gasketing is in place for a watertight seal. (OPTION) Re-enterable potting compound may be used in the Junction Box cavity after supply connections have been made to further ensure a watertight seal.
12. Position the Lamp Module into the RIS which is secured within the Outer Sleeve. Secure the 1188SE-Lamp Module to the RIS using two screws (supplied with fixture).



*Vista Professional Outdoor Lighting reserves the right to modify the design and/or construction of the fixture shown without further notification.*