



MODEL 1051YM | Specification Sheet
Commercial Series • Linear Floodlight • LED

TYPE: MODEL:
PROJECT:

PRODUCT FEATURES



| | |
|--------------|---|
| Wattage | 13 or 19 W |
| Voltage | 120 – 277 VAC |
| Lumens | 875-2103 Delivered Lumens |
| Distribution | NEMA type [H x V]: 7x7(WW), 7x4(WG), 7x5(NS), 7x5(MF), 7x7(WF), 7x5(AS) |
| CCT | 2700K, 3000K, 3500K, 4000K, 5000K |
| CRI | 80 CRI min. |
| Dimming | 0-10V or Phase Cut (TRIAC/ELV-120VAC only) available |
| Driver | Multi-Volt 120-277VAC with tri-modal dimming capabilities |
| Dimensions | 13 ¹ / ₂ " W x 8 ¹ / ₂ " H x 3" D |



ORDERING INFORMATION

EXAMPLE: 1051YM-B-MF-27-A-MV-PCT-GS

| MODEL | FINISH | DISTRIBUTION | COLOR TEMP | LUMENS | VOLTAGE | DIMMING | ACCESSORIES |
|--------|--------|--------------|------------|--------|---------|---------|-------------|
| 1051YM | | | | | MV | | |

| MODEL | FINISH | | | DISTRIBUTION | |
|-------------------|-------------------------------|-------------------------------|---|------------------------|---------------------------------|
| 1051YM | B Black | BR Architectural Brick | G Verde | WW Wall Wash | |
| | Z Architectural Bronze | LZ Light Bronze | P Pewter | WG Wall Grazer | |
| | DZ Dark Bronze | SB Special Bronze | M Mocha | NS Narrow | |
| | GT Granite | GG Glossy Gray | OF Olde Finish | MF Medium Flood | |
| | W White | R Rust | | WF Wide Flood | |
| | | HG Hunter Green | | AS Asymmetric | |
| | | WB Weathered Bronze | | | |
| | | WI Weathered Iron | | | |
| | | GM Graphite Metallic | | | |
| | | | | | |
| COLOR TEMPERATURE | DELIVERED LUMENS | VOLTAGE | DIMMING | | ACCESSORIES |
| 27 2700K | A 1000 (min.) | MV Multi Volt | ND Non Dimming | | GS Internal Glare Shield |
| 30 3000K | B 1600 (min.) | | 010 0-10V | | VR Polycarbonate Lens |
| 35 3500K | | | PCT Phase Cut (TRIAC/ELV-120VAC only) | | |
| 40 4000K | | | | | |
| 50 5000K | | | | | |



PROFESSIONAL
OUTDOOR LIGHTING

www.VistaPro.com • email@vistapro.com • Fax: (888) 670-VISTA (8478)
1625 Surveyor Avenue • Simi Valley, CA 93063 • (805) 527-0987 • (800) 766-VISTA (8478)

Vista Professional Outdoor Lighting reserves the right to modify the design and/or construction of the fixture shown without further notification.



SPECIFICATIONS

HOUSING:

Extruded aluminum body with die-cast aluminum end caps and mountings. Optic and driver compartment environmentally sealed. Mounted on 1/4" aluminum yoke.

FINISH:

Powder coat finish available in Black, Architectural Bronze, Dark Bronze, Granite, White, Architectural Brick, Light Bronze, Special Bronze, Glossy Gray, Rust, Hunter Green, Weathered Bronze, Weathered Iron, Graphite Metallic, Verde, Pewter, Mocha and Olde Finish. Custom Powder coat finishes available on request.

REFLECTOR:

Specular or semi-specular extruded aluminum optics anodized and bright dipped for maximum reflectivity.

LENS:

4mm (.164") thick tempered and beveled clear glass. Permanently affixed and sealed to the optics housing with RTV silicon. Masked frit opening (black only) available.

LED:

Mid-power linear LED driven at 1000mA or 1400mA. 1000+ or 1600+ Lumens delivered (1000+ or 1600+ per lineal foot). 13 or 19 Watts (13W or 19W per lineal foot).

COLOR TEMPERATURE:

2700K, 3000K, 3500K, 4000K or 5000K CCT White.

COLOR RENDERING:

80 CRI minimum

OPTICS/AIMING:

NEMA defined floodlight optics with wide lateral throws – extruded aluminum.

ACCESSORIES:

Internal Glare Shield **GS**.
Polycarbonate Lens **VR**.

WIRING:

- 18/3 SEOWW outdoor rated waterproof cable [for Non-dimmable and Phase Cut (TRIAC/ELV-120VAC only) options]
- 18/5 SJTOW outdoor rated waterproof cable [for 0-10V dimming option]

MOUNTING:

Extruded aluminum Yoke Mount, affixed with stainless steel hardware. Yoke Mount is adjustable for precise aiming.

CERTIFICATION:

CUL US wet location listed.
Ingress Protection Rating: IP66

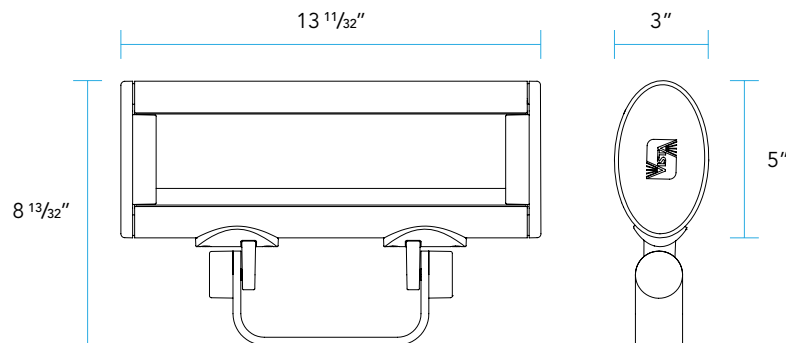
DRIVER:

Multi-Volt MV 120V-277V equipped with tri-modal dimming capabilities. Start up/Operating Temperature: -10°C to +50°C. Non-dimmable, 0-10V and Phase Cut (TRIAC/ELV-120VAC only) options available.

LIGHT DISTRIBUTION:

Wall Wash (NEMA 7H x 7V), Wall Grazer (NEMA 7H x 4V), Narrow (NEMA 7H x 5V), Medium Flood (NEMA 7H x 5V), Wide Flood (NEMA 7H x 7V), Asymmetric (NEMA 7H x 5V) distributions available.

DIMENSIONS





DELIVERED LUMENS PACKAGE SPECIFICATIONS

| BEAM SPREAD | A | B |
|------------------------|---------------------------|-------------------------|
| Wall Wash WW | 13.4 Watts 1132 Lumens | 19 Watts 1686 Lumens |
| Wall Grazer WG | 13.4 Watts 1286 Lumens | 19 Watts 2103 Lumens |
| Narrow NS | 13.4 Watts 875 Lumens | 19 Watts 1201 Lumens |
| Medium Flood MF | 13.4 Watts 1332 Lumens | 19 Watts 2029 Lumens |
| Wide Flood WF | 13.4 Watts 1054 Lumens | 19 Watts 1604 Lumens |
| Asymmetric AS | 13.5 Watts 1314 Lumens | 19 Watts 1866 Lumens |

