



**MODEL 1185TG** | Specification Sheet  
Commercial Series • In-Grade • LED

TYPE:  MODEL:   
PROJECT:

**PRODUCT FEATURES**



Wattage	15 – 26 W
Voltage	120 – 277 VAC
Lumens	917 – 1766 Delivered Lumens
Distribution	NEMA type [H x V]: 2x2 (VNS), 2x2 (NS), 4x4 (MF), 6x6 (WF)
CCT	2700K, 3000K, 3500K, 4000K, 5000K
CRI	80 CRI min.
Dimming	0-10V or Phase Cut (TRIAC/ELV-120VAC only) available
Driver	Multi-Volt 120-277VAC with tri-modal dimming capabilities
Dimensions	8 1/2" DIA x 8" D



**ORDERING INFORMATION**

EXAMPLE: 1185TG-B-MF-27-B-MV-CX-PCT-TO10

MODEL	FINISH	DIST	TEMP	LUMENS	VOLTAGE	LENS	DIMMING	ACC
1185TG					MV			

MODEL	DOOR FINISH			DISTRIBUTION	COLOR TEMP	DELIVERED LUMENS
1185TG	<b>B</b> Black	<b>LZ</b> Light Bronze	<b>WI</b> Weathered Iron	<b>VNS</b> Very Narrow Spot *	<b>27</b> 2700K	<b>A</b> 917 – 1141 <b>B</b> 1317 – 1431 <b>C</b> 1625 – 1766
	<b>Z</b> Architectural Bronze	<b>SB</b> Special Bronze	<b>GM</b> Graphite Metallic	<b>NS</b> Narrow Spot	<b>30</b> 3000K	
	<b>DZ</b> Dark Bronze	<b>GG</b> Glossy Gray	<b>G</b> Verde	<b>MF</b> Medium Flood	<b>35</b> 3500K	
	<b>GT</b> Granite	<b>R</b> Rust	<b>P</b> Pewter	<b>WF</b> Wide Flood	<b>40</b> 4000K	
	<b>W</b> White	<b>HG</b> Hunter Green	<b>M</b> Mocha		<b>50</b> 5000K	
	<b>BR</b> Architectural Brick	<b>WB</b> Weathered Bronze	<b>OF</b> Olde Finish			

VOLTAGE	LENS	DIMMING	ACCESSORIES	ORDERING NOTES
<b>MV</b> Multi Volt (120 - 277 VAC)	<b>CX</b> Crowned Clear <b>AX</b> Anti Slip Clear	<b>ND</b> Non Dimming <b>010</b> 0-10V <b>PCT</b> Phase Cut (TRIAC / ELV-120VAC only)	<b>T05</b> Tilt Optic 5° <b>T010</b> Tilt Optic 10° <b>T015</b> Tilt Optic 15° <b>T025</b> Tilt Optic 25° <b>DF</b> Diffuse Filter <b>LSF</b> Linear Spread Filter	<b>HS</b> Half Glare Shield <b>YL</b> Yellow Lens ** <b>RL</b> Red Lens ** <b>BL</b> Blue Lens ** <b>GL</b> Green Lens **



PROFESSIONAL  
OUTDOOR LIGHTING

www.VistaPro.com • email@vistapro.com • Fax: (888) 670-VISTA (8478)  
1625 Surveyor Avenue • Simi Valley, CA 93063 • (805) 527-0987 • (800) 766-VISTA (8478)

Vista Professional Outdoor Lighting reserves the right to modify the design and/or construction of the fixture shown without further notification.



## SPECIFICATIONS

### DESCRIPTION:

1185TG LED Tree Grate fixtures are designed for use in cast tree grates. The 1185TG includes factory sealed LED module with integrated driver, fully potted and thermally protected. (In-Grade junction box sold separately).

### DOOR:

TYPE III hard anodized/powder coat Die-cast A360 aluminum. Captive stainless steel fasteners affixed to a ventilated door. Inner vents allow hot air to escape from around optic housing while outer vents allow cool air to enter fixture housing. Corrosion barrier liner included on underside of door to minimize galvanic corrosion between grate and fixture.

### OPTIC HOUSING:

TYPE III hard anodized and Thermkote treated Die-cast A360 aluminum. Finned for maximum heat dissipation. Optic and driver compartment separately sealed while being electrically connected.

### HOUSING TUBE:

Ø8<sup>1</sup>/<sub>2</sub>" SDR35 heavy walled drain tube. 8" long with Black finish.

### DRIVER COMPARTMENT:

Injection-molded PPS for maximum corrosion protection. Driver compartment houses electronic LED driver and thermostat which cuts power to fixture in abnormal ambient temperature conditions. Driver compartment is completely epoxy potted to protect electronics from moisture.

### DOOR FINISH:

Powder coat finish available in Black, Architectural Bronze, Dark Bronze, Granite, White, Architectural Brick, Light Bronze, Special Bronze, Glossy Gray, Rust, Hunter Green, Weathered Bronze, Weathered Iron, Graphite Metallic, Verde, Pewter, Mocha and Olde Finish. Custom Powder coat finishes available on request.

### LENS:

¼" thick tempered pressed clear glass.

### REFLECTOR:

Specular or semi-specular spun aluminum optics, anodized for maximum performance. Very Narrow Spot optic incorporates an additional internal source shield to eliminate unwanted glare outside the beam pattern.

### ACCESSORIES:

Tilt Optic 5° **TO5**, Tilt Optic 10° **TO10**, Tilt Optic 15° **TO15**, Tilt Optic 25° **TO25**, Diffuse Filter **DF**, Linear Spread Filter **LSF**, Half Glare Shield **HS** available. Dichroic Lenses: Yellow **YL**, Red **RL**, Blue **BL** and Green **GL** also available.

### LED:

Performance COB LEDs in various color temperatures | 15 – 26 Watts  
900 – 2000 Delivered Lumens

### COLOR TEMPERATURE:

2700K, 3000K, 3500K, 4000K or 5000K CCT White.

### COLOR RENDERING:

80 CRI minimum

### LIGHT DISTRIBUTION:

Very Narrow Spot **VNS** NEMA 2x2  
Narrow Spot **NS** NEMA 2x2  
Medium Flood **MF** NEMA 4x4  
Wide Flood **WF** NEMA 6x6

### WIRING:

- 9' 18/3 SEOWW outdoor rated waterproof cable [for Non-dimmable and Phase Cut (TRIAC/ELV-120VAC only) options]
- 9' 18/5 SJTOW outdoor rated waterproof cable [for 0-10V dimming option]

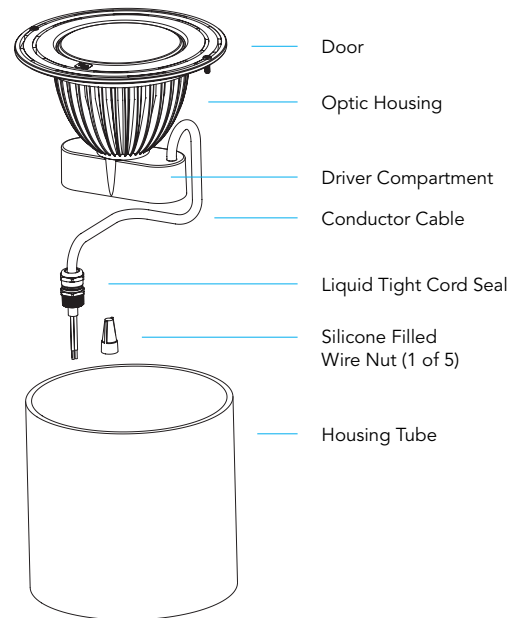
Cable includes a liquid tight cord seal and 5 silicone filled wire nuts.

### JUNCTION BOX (Sold Separately):

- **JB-200** In-Ground Junction Box – two ½" NPT bottom hubs + one ½" NPT hub on cover
- **JB-300** In-Ground Junction Box – two ¾" NPT bottom hubs + one ¾" NPT hub on cover

### CERTIFICATION:

cETLus wet location listed.  
Ingress Protection Rating: IP68



### OPTICS/AIMING:

Specular or semi-specular optics designed for maximum performance and uniformity. Fixture aiming achieved via a series of tilt optic lenses and patented magnetic aiming system. Additional tilt optic lenses available. Very Narrow Spot optic incorporates an additional internal source shield to eliminate unwanted glare outside the beam pattern.

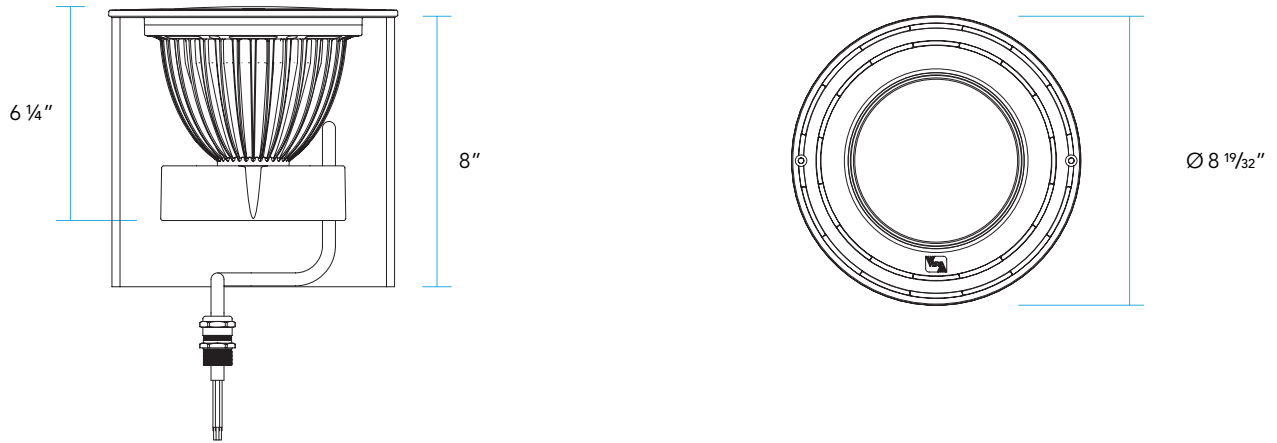
### DRIVER:

Multi-Volt **MV** 120V-277V equipped with tri-modal dimming capabilities. Start up/Operating Temperature: -10°C to +50°C. Non-dimmable, 0-10V and Phase Cut (TRIAC/ELV-120VAC only) options available.

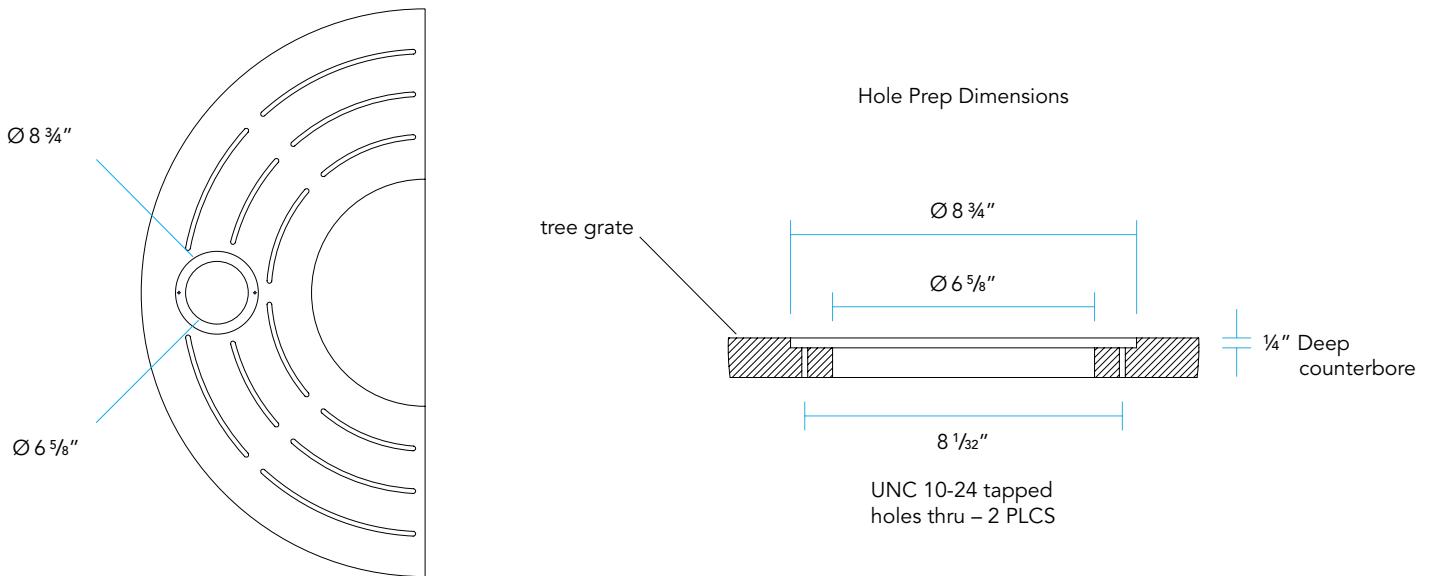




**DIMENSIONS**



**TREE GRATE HOLE DIMENSIONS**





**DELIVERED LUMENS**

BEAM SPREAD	A	B	C
Very Narrow Spot VNS	25.5 Watts 1141 Lumens		
Narrow Spot NS	14.3 Watts 981 Lumens	20.6 Watts 1407 Lumens	25.4 Watts 1738 Lumens
Medium Flood MF	14.5 Watts 997 Lumens	20.8 Watts 1431 Lumens	25.7 Watts 1766 Lumens
Wide Flood WF	14.5 Watts 917 Lumens	20.8 Watts 1317 Lumens	25.7 Watts 1625 Lumens

