



**MODEL 1052WM** | Specification Sheet  
Commercial Series • Linear Floodlight • LED

TYPE:  MODEL:   
PROJECT:

**PRODUCT FEATURES**



Wattage	26 or 35 W
Voltage	120 – 277 VAC
Lumens	1821-3690 Delivered Lumens
Distribution	NEMA type [ H x V]: 6x6(WW), 7x4(WG), 6x4(NS), 7x5(MF), 7x7(WF), 7x5(AS)
CCT	2700K, 3000K, 3500K, 4000K, 5000K
CRI	80 CRI min.
Dimming	0-10V or Phase Cut (TRIAC/ELV-120VAC only) available
Driver	Multi-Volt 120-277VAC with tri-modal dimming capabilities
Dimensions	24 <sup>13</sup> / <sub>32</sub> " W x 7 <sup>7</sup> / <sub>32</sub> " H x 3" D



**ORDERING INFORMATION**

EXAMPLE: 1052WM-B-MF-27-A-MV-PCT-GS

MODEL	FINISH	DISTRIBUTION	COLOR TEMP	LUMENS	VOLTAGE	DIMMING	ACCESSORIES
1052WM					MV		

MODEL	FINISH			DISTRIBUTION	
<b>1052WM</b>	<b>B</b> Black	<b>BR</b> Architectural Brick	<b>G</b> Verde	<b>WW</b> Wall Wash	
	<b>Z</b> Architectural Bronze	<b>LZ</b> Light Bronze	<b>P</b> Pewter	<b>WG</b> Wall Grazer	
	<b>DZ</b> Dark Bronze	<b>SB</b> Special Bronze	<b>M</b> Mocha	<b>NS</b> Narrow	
	<b>GT</b> Granite	<b>GG</b> Glossy Gray	<b>OF</b> Olde Finish	<b>MF</b> Medium Flood	
	<b>W</b> White	<b>R</b> Rust		<b>WF</b> Wide Flood	
		<b>HG</b> Hunter Green		<b>AS</b> Asymmetric	
		<b>WB</b> Weathered Bronze			
		<b>WI</b> Weathered Iron			
		<b>GM</b> Graphite Metallic			
COLOR TEMPERATURE	DELIVERED LUMENS	VOLTAGE	DIMMING		ACCESSORIES
<b>27</b> 2700K	<b>A</b> 2000 (min.)	<b>MV</b> Multi Volt	<b>ND</b> Non Dimming	<b>GS</b> Internal Glare Shield	
<b>30</b> 3000K	<b>B</b> 3000 (min.)		<b>010</b> 0-10V	<b>VR</b> Polycarbonate Lens	
<b>35</b> 3500K			<b>PCT</b> Phase Cut (TRIAC/ELV-120VAC only)		
<b>40</b> 4000K					
<b>50</b> 5000K					



PROFESSIONAL  
OUTDOOR LIGHTING

www.VistaPro.com • email@vistapro.com • Fax: (888) 670-VISTA (8478)  
1625 Surveyor Avenue • Simi Valley, CA 93063 • (805) 527-0987 • (800) 766-VISTA (8478)

Vista Professional Outdoor Lighting reserves the right to modify the design and/or construction of the fixture shown without further notification.



**SPECIFICATIONS**

**HOUSING:**

Extruded aluminum body with die-cast aluminum end caps and mountings.  
Optic and driver compartment environmentally sealed.  
Mounts over 4-0 junction box. Adjustable ± 15°.

**FINISH:**

Powder coat finish available in Black, Architectural Bronze, Dark Bronze, Granite, White, Architectural Brick, Light Bronze, Special Bronze, Glossy Gray, Rust, Hunter Green, Weathered Bronze, Weathered Iron, Graphite Metallic, Verde, Pewter, Mocha and Olde Finish. Custom Powder coat finishes available on request.

**REFLECTOR:**

Specular or semi-specular extruded aluminum optics anodized and bright dipped for maximum reflectivity.

**LENS:**

4mm (.164") thick tempered and beveled clear glass. Permanently affixed and sealed to the optics housing with RTV silicon. Masked frit opening (black only) available.

**LED:**

Mid-power linear LED driven at 1000mA or 1400mA.  
2000+ or 3200+ Lumens delivered (1000+ or 1600+ per lineal foot).  
26 or 35 Watts (13W or 19W per lineal foot).

**COLOR TEMPERATURE:**

2700K, 3000K, 3500K, 4000K or 5000K CCT White.

**COLOR RENDERING:**

80 CRI minimum

**OPTICS/AIMING:**

NEMA defined floodlight optics with wide lateral throws – extruded aluminum.

**ACCESSORIES:**

Internal Glare Shield **GS**.  
Polycarbonate Lens **VR**.

**WIRING:**

Prewired with 150° C-rated wire.

**MOUNTING:**

Die-cast, copper-free aluminum Wall Mount, designed to mount over standard 4-0 electrical box. Wall mount adjusts with stainless steel fasteners.

**CERTIFICATION:**

CUL US wet location listed.  
Ingress Protection Rating: IP66

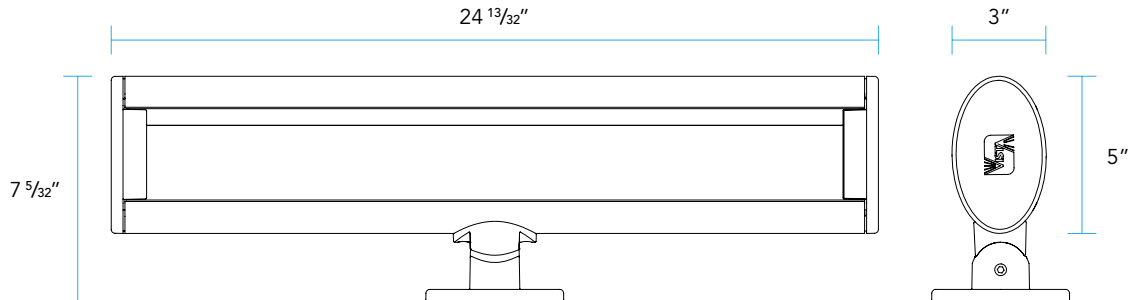
**DRIVER:**

Multi-Volt MV 120V-277V equipped with tri-modal dimming capabilities.  
Start up/Operating Temperature: -10°C to +50°C.  
Non-dimmable, 0-10V and Phase Cut (TRIAC/ELV-120VAC only) options available.

**LIGHT DISTRIBUTION:**

Wall Wash (NEMA 6H x 6V), Wall Grazer (NEMA 7H x 4V),  
Narrow (NEMA 7H x 4V), Medium Flood (NEMA 7H x 5V),  
Wide Flood (NEMA 6H x 4V), Asymmetric (NEMA 7H x 5V)  
distributions available.

**DIMENSIONS**





**DELIVERED LUMENS PACKAGE SPECIFICATIONS**

BEAM SPREAD	A	B
Wall Wash <b>WW</b>	26 Watts 2289 Lumens	35.6 Watts 3132 Lumens
Wall Grazer <b>WG</b>	26 Watts 2631 Lumens	35.6 Watts 3635 Lumens
Narrow <b>NS</b>	26 Watts 1821 Lumens	35.6 Watts 2553 Lumens
Medium Flood <b>MF</b>	26 Watts 2696 Lumens	35.6 Watts 3690 Lumens
Wide Flood <b>WF</b>	26 Watts 2307 Lumens	35.6 Watts 3099 Lumens
Asymmetric <b>AS</b>	27.7 Watts 3044 Lumens	35.6 Watts 3914 Lumens

